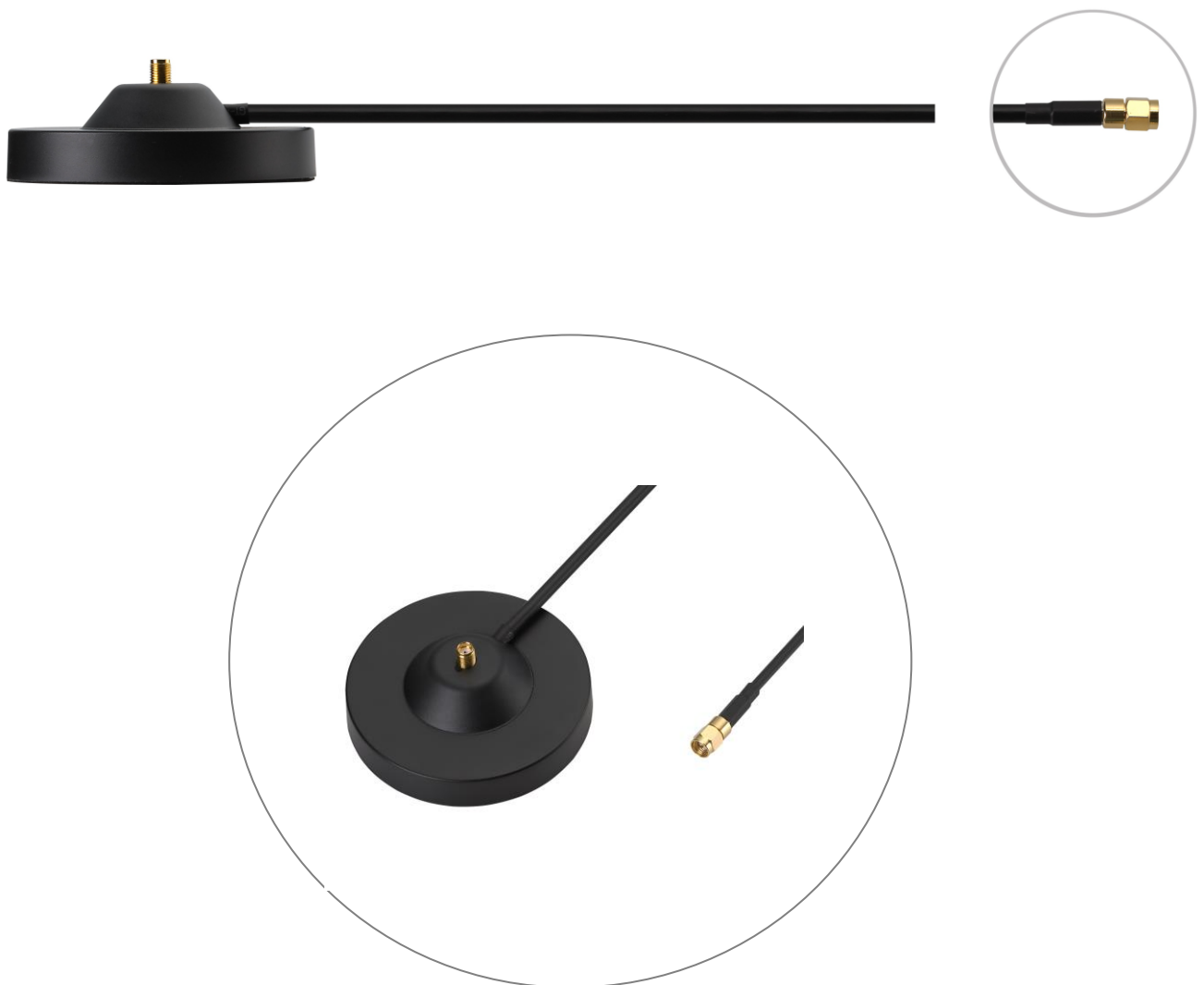


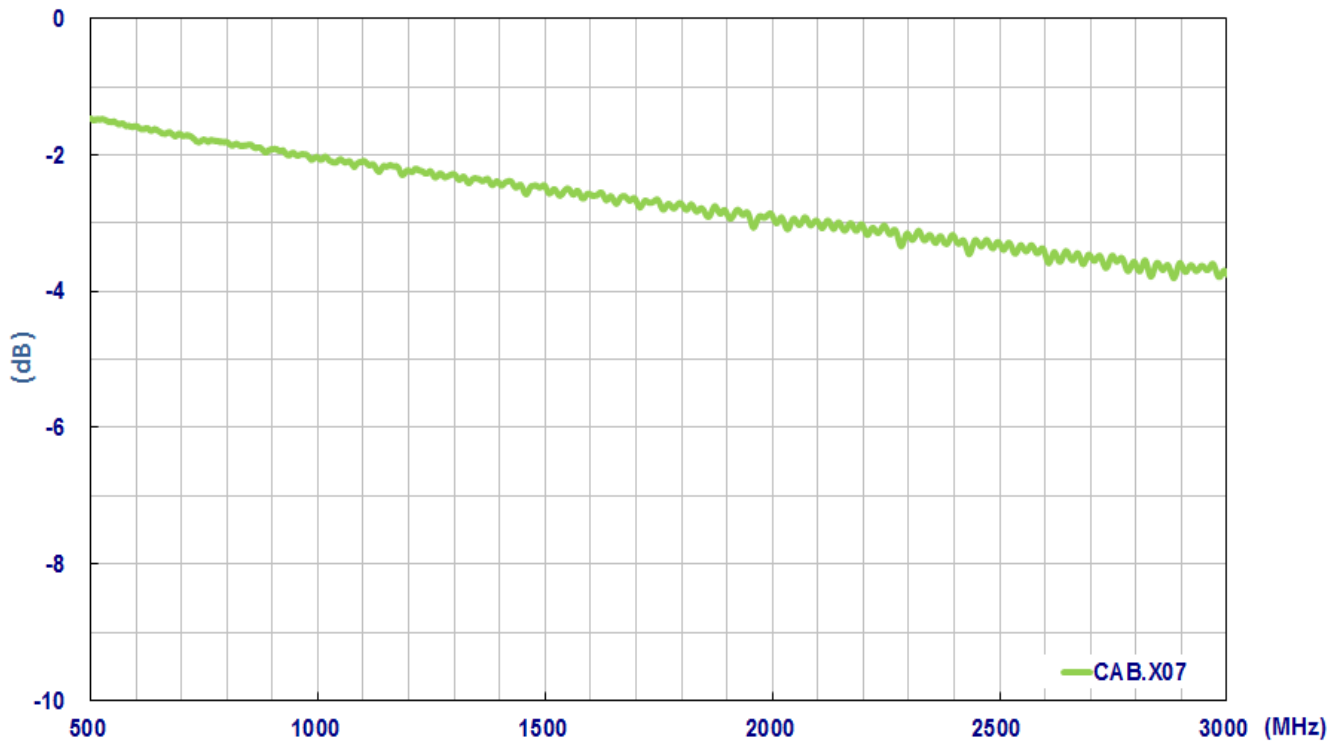
## SPECIFICATION

Part No. : **CAB.X07**  
Product Name : Taoglas Magnet Mount Antenna Base Cable Assembly  
SMA(F) on base to SMA(M) Straight Plug on cable  
with 5M(16.40ft) CFD-200 cable

Photo :

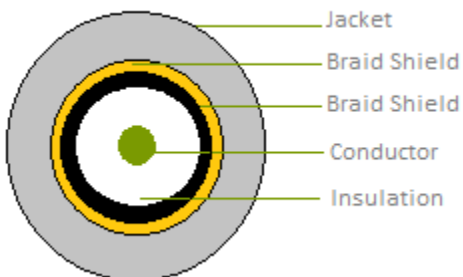


## 1. Cable Insertion Loss

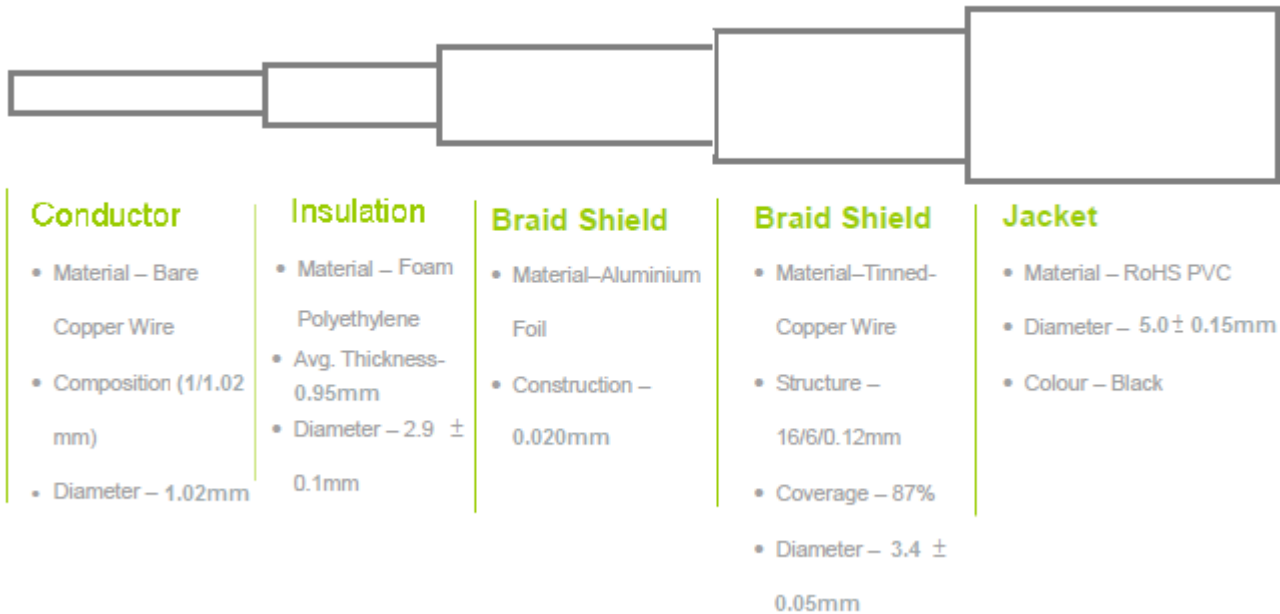


## 2. CFD-200 Cable Specification

### 2. Drawing – Cross Section



## 2.2 Structure and Dimensions

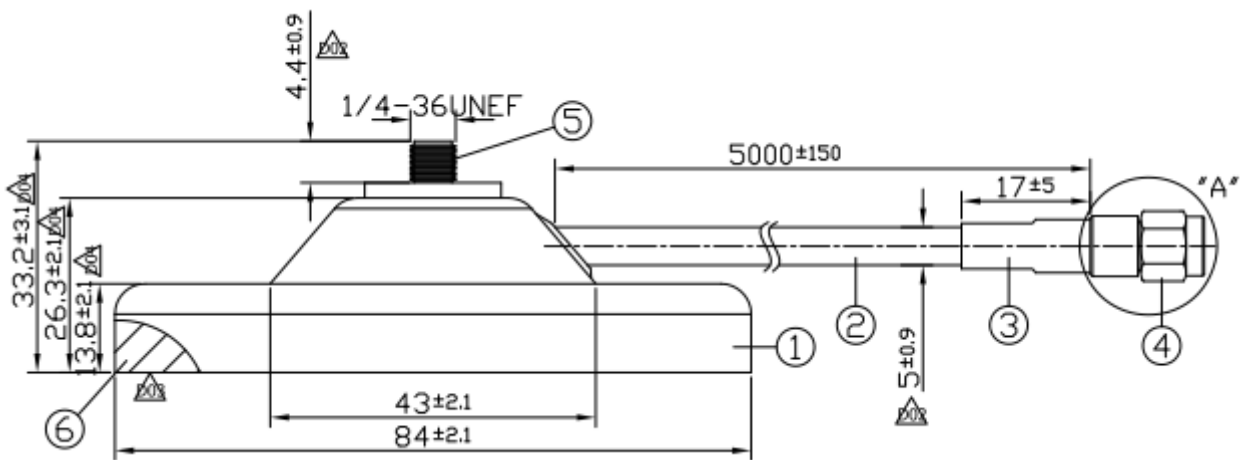


## 2.3 Electrical & Physical Specification

ELECTRICAL						
Attenuation	150MHz	450MHz	900MHz	1500MHz	1800MHz	2500MHz
dB/100M	12.1	21.6	31.2	41.1	45.3	54.4
Insulation Resistance	1000 MΩ-Km (Min)					
Capacitance	80.4 ± 3 pF/m					
Nom. Impedance	53 ± 3 Ω					
MECHANICAL						
Cable Type	CFD-200 coaxial cable					
Cable length	5 Meters (16.40ft)					
Connector	SMA(M) SMA(F) Magnet Mount					
Connector Max. Torque	0.9N·m					
Magnetic Pull Force	2.92kgf					
Weight	440g					
Magnet	Ferric Oxide					
ENVIRONMENTAL						
Temperature Range	-40°C to 85°C					
Humidity	Non-condensing 65°C 95% RH					

### 3. Technical Drawing

#### 3.1 CAB.X07



	Name	Material	Finish	QTY
1	SMA(F) Magnet Mount	ASA	Black	1
2	CFD200 Coaxial Cable	PVC	Black	1
3	Heat Shrink Tube	PE	Black	1
4	SMA(M) ST	Brass	Gold	1
5	SMA(F) ST	Brass	Gold	1
6	Magnet	Magnet T30	N/A	1

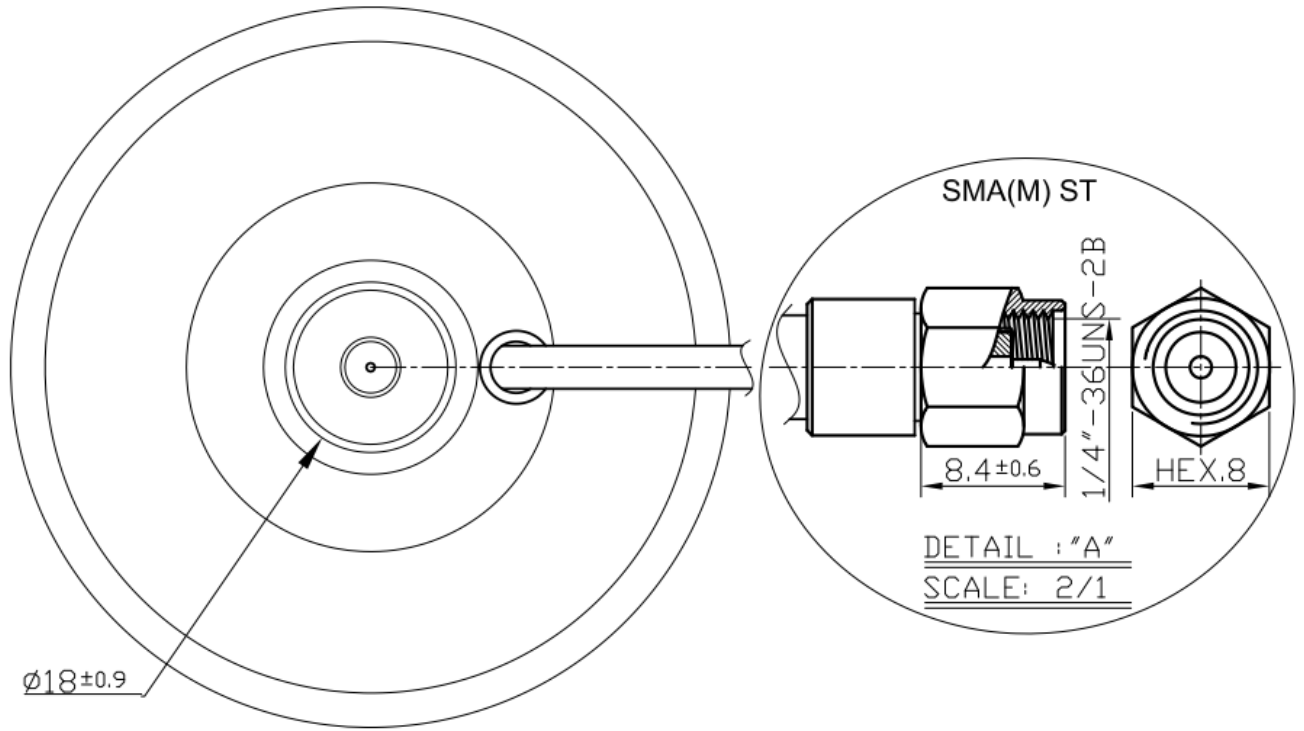
Note:

Minimum Bend Radius:12.7mm

SMA Connector Recommended Torque for Mounting is 0.9N·m

Maxium Torque for Mounting is 1.176 N·m

### 3.2 Connectors

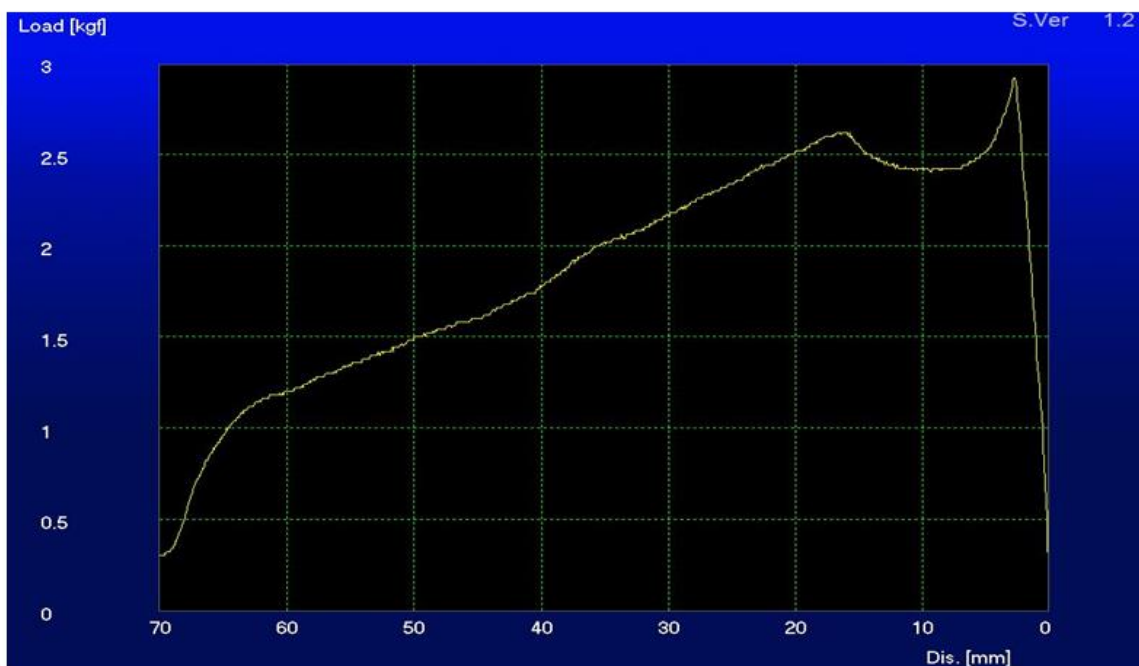


## 4. Magnetic Pull Force (kilogram-force, kgf)

### 4.1 Testing setup

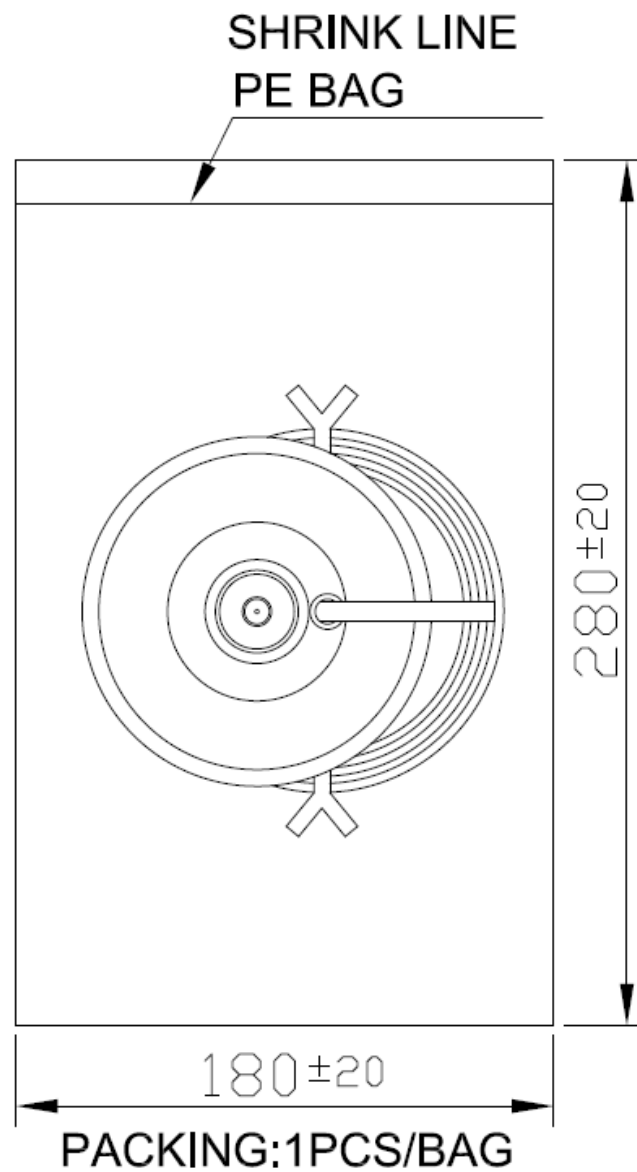


Distance(mm)	0.5	1.0	1.5	2.0	2.5	<b>2.8</b>	3.5	4.0	4.5	5.0
Pulling force(Kgf)	0.86	1.37	1.86	2.32	2.75	<b>2.92</b>	2.73	2.65	2.58	2.52
Distance(mm)	5.5	6.0	6.5	7.0	7.5	8.0	8.5	9.0	9.5	10.0
Pulling force(Kgf)	2.49	2.46	2.44	2.42	2.42	2.42	2.42	2.41	2.41	2.42



Maximum Pull Force : 2.92kgf

## 5. Packaging



Unit: mm