

REV. Status

REVISION -
02/04/03 YS

REVISION A
ADDED RoHS &
UPDATED LABELS
DELETED CSA#
LR69223
02/27/06 MP

REVISION B
CHG TUV FILE #
WAS 810/89
(EN60950 & VDE
0551). CLARIFIED
PIN OUTS
04/19/07 YS

REVISION C
UPDATE LOGO'S
TO STD IED.
Dielectric
Withstand WAS
Hi-Pot 3500.
4-30-08 EB

REVISION D
MOUNTING
NOTE ADDED
09/28/11 MP

REVISION E
UPDATE SAFETY
09/29/11 MP

REVISION F
SAFETY NOTES
ADDED
03/20/13 MP

REVISION G
CHANGED PHONE#
01/16/20 MP

| TOLERANCES (mm) | |
|-----------------|-------|
| ≤ 4 | ± 0.2 |
| 4 ≤ 20 | ± 0.3 |
| 20 ≤ 50 | ± 0.4 |

PREPARED BY:

C. POPPE

ENGINEER:
M. PITCHAI

SAFETY ENGINEER

APPROVED:
M. PITCHAI

THREE FLANGE DUAL PRIMARY 20VA PC BOARD POWER TRANSFORMER

A. Electrical Specifications (@ 25°C)

1. Maximum Power: 20VA
2. Primary Voltage and Frequency: 115/230VAC 50/60Hz
3. Secondary RMS Rating: See Table A
4. Voltage Regulation: 18% TYP @ full load to no load
5. Temperature Rise(normal op. condition): 45°C TYP (60° MAX)
6. A 10% Input Voltage change will proportionally affect transformer sec voltage. The max. allowed wdg temp under abnormal condition is 155°C
7. Insulation Resistance:
100MΩ MIN @ 500VDC, Pri to Sec, Pri to Core, Sec to Core
8. Dielectric Withstand: 3750Vrms 1 minute @ Pri to Sec
1500Vrms 1 minute @ Pri to Core, Sec to Core

B. Marking: includes input and output ratings (per sheet 2),

C. Safety:

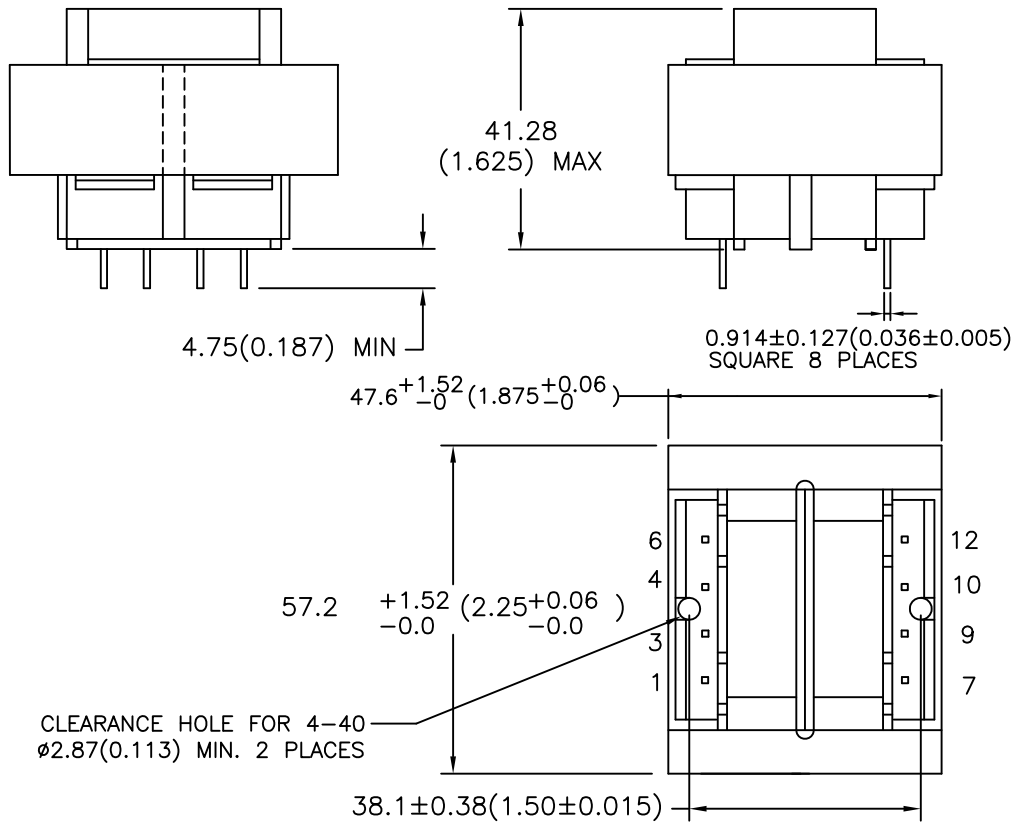
Conforms to construction requirement of:
UL5085-1, -2; CSA No. 66.1, 66.2
(from Datecode 1143 and onwards).
UL506, UL1411
UL1446 (CLASS 130(B))
EN61558-1, -2-6

Safety certificate file reference:

UL E138028, E79781, E92957
CSA 175561
TUV (P.S.) 4478013415698

Non short-circuit proof safety isolating transformer.
Intended for mounting on PCBs and for building into end use-equipment.
Not intended for series/parallel connection with other transformers.
Mounting hardware may reduce spacing in end use application.

D. Mechanical Specifications:



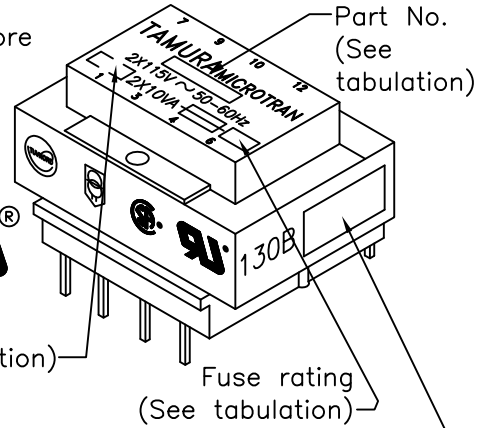
CLEARANCE HOLE FOR 4-40
Ø2.87(0.113) MIN. 2 PLACES

NOTE: BOARD WASHING IS NOT RECOMMENDED FOR THESE PARTS



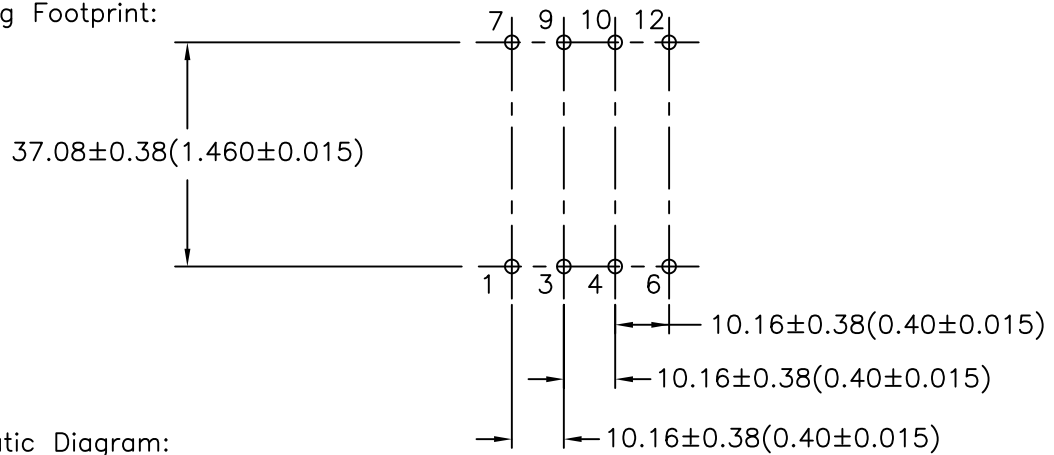
MODEL NUMBER

PL20-XX-130B



| ENGINEER: | DRAWING CONTROL NO. | REV | MODEL DESCRIPTION | MODEL SPECIFICATION |
|---|---------------------|-----|--|---------------------------------|
| M. PITCHAI | P-A1-12260 | G | POWER TRANSFORMER | PL20-XX-130B |
| CONTENTS OF THIS DRAWING ARE SUBJECT TO CHANGE WITHOUT PRIOR NOTICE | | | TAMURA CORPORATION OF AMERICA 1040 SOUTH ANDREASEN DRIVE, #100 ESCONDIDO, CA. 92029 (760) 871-2009 | DIM: mm[In] SCL: 1/1 SH: 1 OF 2 |
| <p>PROPRIETARY NOTICE: THIS DRAWING PRINT OR DOCUMENT AND SUBJECT MATTER DISCLOSED HEREIN ARE PROPRIETARY ITEMS TO WHICH TAMURA RETAINS THE EXCLUSIVE RIGHT OF DISSEMINATION, REPRODUCTION, MANUFACTURE AND SALE. THIS DRAWING, PRINT OR DOCUMENT IS SUBMITTED IN CONFIDENCE FOR CONSIDERATION BY THE RECIPIENT ALONE UNLESS PERMISSION FOR FURTHER DISCLOSURE IS EXPRESSLY GRANTED IN WRITING.</p> | | | | |

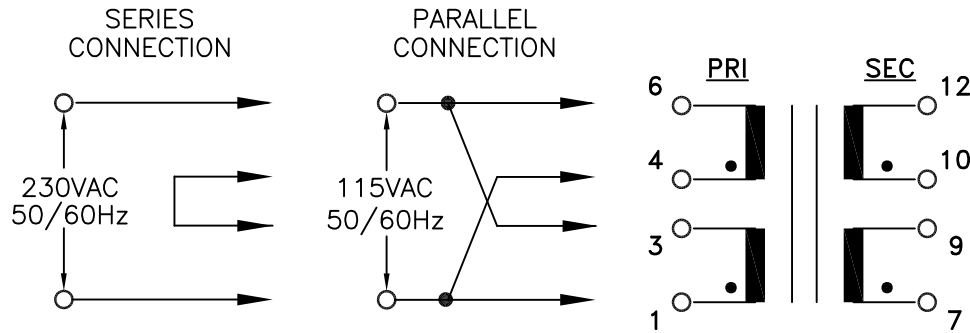
E. Mounting Footprint:



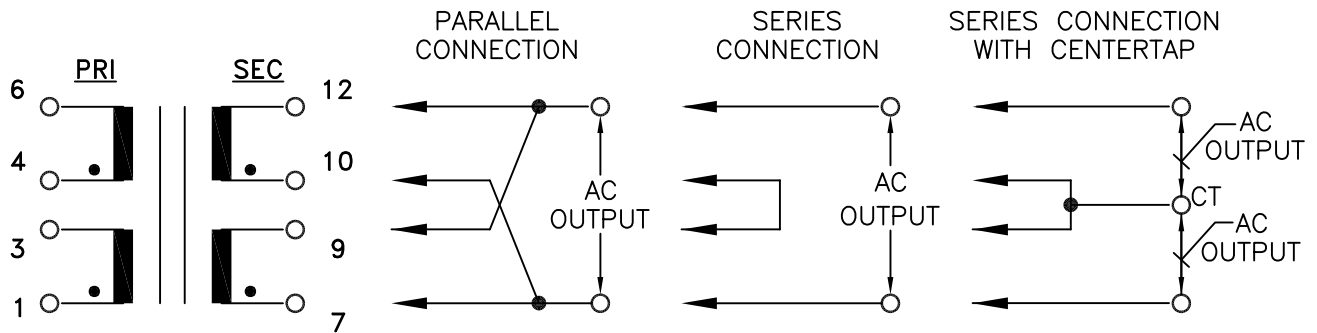
MODEL NUMBER
PL20-XX-130B

F. Schematic Diagram:

PRIMARY INPUT CONNECTIONS



SECONDARY OUTPUT CONNECTIONS



G. Table A:

T= Time lag

| PART NO. | PARALLEL | | SERIES | | SERIES WITH CT | | OUTPUT | SECONDARY FUSE REQ'D EA. WINDING |
|--------------|----------|----------|----------|----------|----------------|----------|---------|----------------------------------|
| | AC VOLTS | RMS AMPS | AC VOLTS | RMS AMPS | AC VOLTS | RMS AMPS | | |
| PL20-10-130B | 5.0 | 4.00 | 10.0 | 2.00 | 5.0-CT-5.0 | 2.00 | 2X5.0V | T 2.00A |
| PL20-12-130B | 6.3 | 3.20 | 12.6 | 1.60 | 6.3-CT-6.3 | 1.60 | 2X6.3V | T 1.60A |
| PL20-16-130B | 8.0 | 2.50 | 16.0 | 1.25 | 8.0-CT-8.0 | 1.25 | 2X8.0V | T 1.25A |
| PL20-20-130B | 10.0 | 2.00 | 20.0 | 1.00 | 10.0-CT-10.0 | 1.00 | 2X10.0V | T 1.00A |
| PL20-24-130B | 12.0 | 1.66 | 24.0 | 0.83 | 12.0-CT-12.0 | 0.83 | 2X12.0V | T 1.00A |
| PL20-28-130B | 14.0 | 1.44 | 28.0 | 0.72 | 14.0-CT-14.0 | 0.72 | 2X14.0V | T 0.80A |
| PL20-36-130B | 18.0 | 1.12 | 36.0 | 0.56 | 18.0-CT-18.0 | 0.56 | 2X18.0V | T 0.63A |

PREPARED BY:

C. POPPE

ENGINEER:

M. PITCHAI

SAFETY ENGINEER

DRAWING CONTROL NO.

P-A1-12260

REV

G

MODEL DESCRIPTION
POWER TRANSFORMER

TAMURA CORPORATION OF AMERICA

1040 SOUTH ANDREASEN DRIVE, #100 ESCONDIDO, CA. 92029
(760) 871-2009

MODEL SPECIFICATION

PL20-XX-130B

DIM: mm[In] SCL: NONE SH: 2 OF 2

APPROVED:

M. PITCHAI

PROPRIETARY NOTICE: THIS DRAWING PRINT OR DOCUMENT AND SUBJECT MATTER DISCLOSED HEREIN ARE PROPRIETARY ITEMS TO WHICH TAMURA RETAINS THE EXCLUSIVE RIGHT OF DISSEMINATION, REPRODUCTION, MANUFACTURE AND SALE. THIS DRAWING, PRINT OR DOCUMENT IS SUBMITTED IN CONFIDENCE FOR CONSIDERATION BY THE RECIPIENT ALONE UNLESS PERMISSION FOR FURTHER DISCLOSURE IS EXPRESSLY GRANTED IN WRITING.