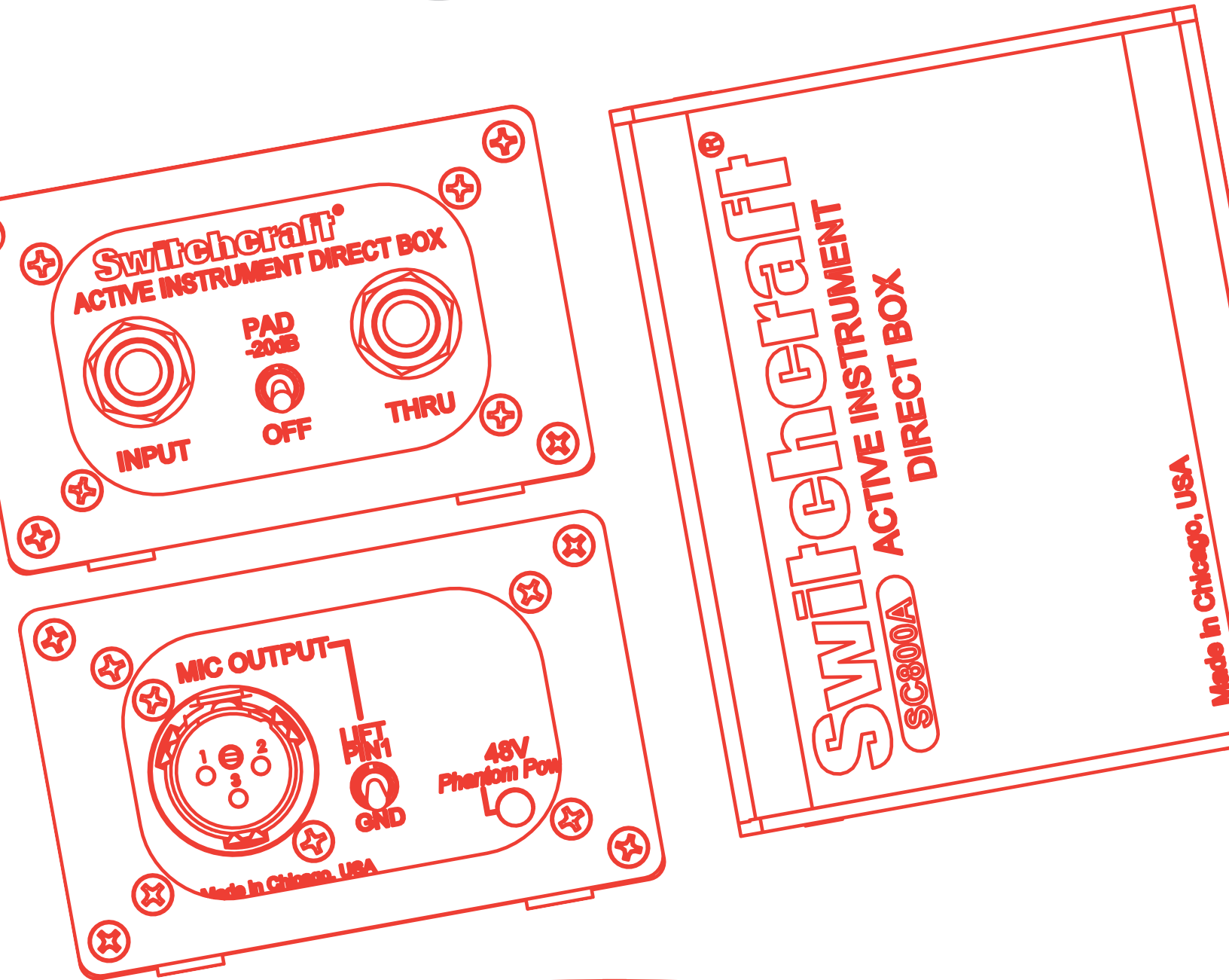




**Switchcraft®  
Pro Audio**



# SC800A ACTIVE INSTRUMENT DIRECT BOX

NPB | 609

# SC800A ACTIVE INSTRUMENT DIRECT BOX

NPB | 609

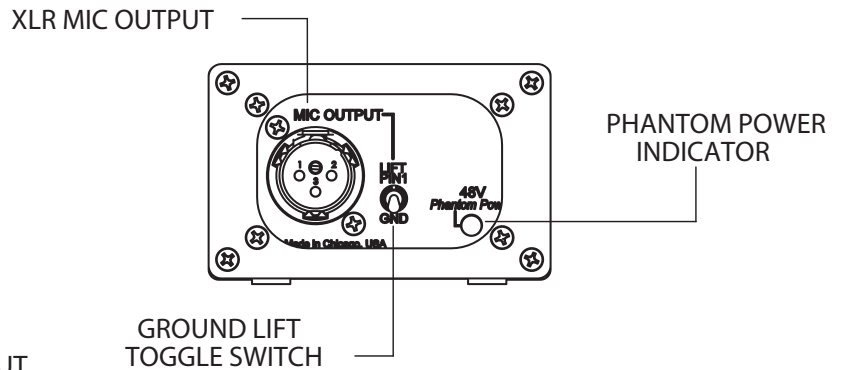
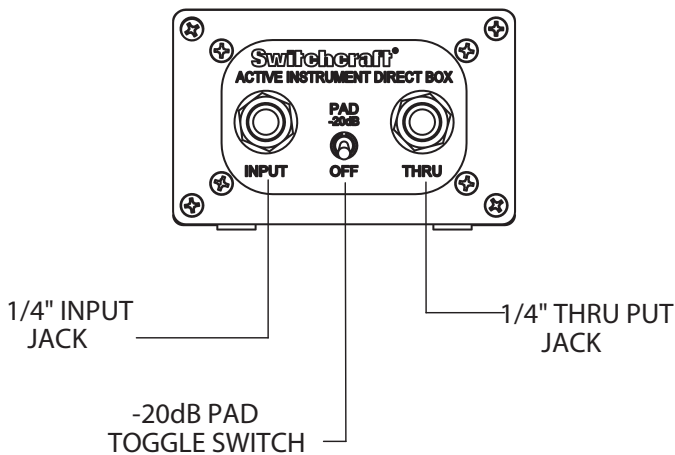
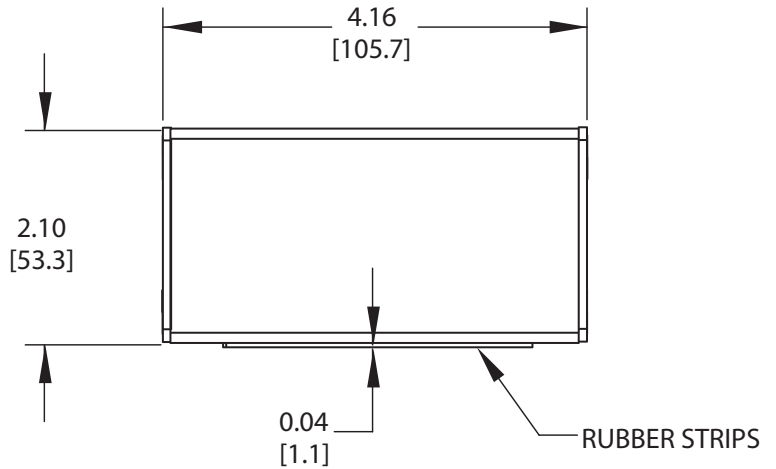
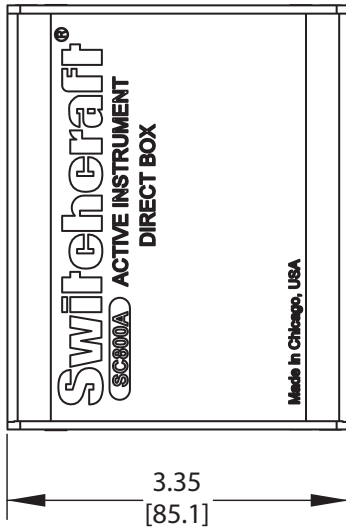


A 48V phantom powered instrument direct box designed to quietly preserve the tone of the world's finest musical instruments. The SC800A is ideal for converting the unbalanced outputs of passive musical instruments such as acoustic guitar and bass to balanced, mic level signals that can be connected to audio consoles and mic preamps. Precision engineered active circuitry provides extended reach and superior audio fidelity for professional audio engineers and musicians

**SC800A** Active Instrument Direct Box

# SC800A ACTIVE INSTRUMENT DIRECT BOX

NPB | 609



**CONTROLS:**  
 INPUT: 1/4" Mono (TS)  
 THRU PUT: 1/4" Mono (TS)  
 OUTPUT: 3- Pin XLR  
 PAD: 20dB Input Pad  
 GRND LIFT: XLR Pin 1 Lift

**NOTES:**

1. THE XLR CONNECTOR IS WIRED PIN-1 GRND, PIN-2 HOT AND PIN-3 COLD
2. MATERIALS:  
 HOUSING AND END PANELS: BLACK ANODIZED ALUMINUM  
 RECESSED COMPONENT PANELS: SATIN BLUE PEWTER ANODIZED
3. LASER ETCHED ARTWORK WITH WHITE TEXT
4. THIS PRODUCT IS RoHS COMPLIANT.

# SC800A ACTIVE INSTRUMENT DIRECT BOX

NPB | 609

## AUDIO SPECIFICATIONS

| PARAMETER                          | PERFORMANCE          | CONDITIONS   |
|------------------------------------|----------------------|--|
| Frequency Response                 | 30Hz-30kHz           | +/-0.3dB, ref 1kHz   |
| Total Harmonic Distortion + Noise  | <0.008%<br><0.04%    | at 1kHz, +4dBu Input, 22kHz Bandwidth<br>at 20Hz, +4dBu Input, 22kHz Bandwidth |
| Maximum Input Level                | +12dBu<br>+32dBu     | at 20Hz with 1% THD+Noise<br>with 20dB Pad engaged                             |
| Input Impedance                    | > 1M $\Omega$        | at 1kHz  |
| Output Impedance                   | <600 $\Omega$        | at 1kHz  |
| Common Mode Rejection Ratio (CMRR) | >86dB<br>>65dB       | at 60Hz, Input<br>at 60Hz, Output  |
| Deviation from Linear Phase        | <16°<br><1°<br><-12° | at 20Hz<br>at 1Khz<br>at 20kHz   |
| Voltage Gain                       | +3dB<br>-17dB        | +/-1dB<br>+/-1dB with 20dB pad engaged   |
| Pad Attenuation                    | 20dB                 | +/-1dB   |