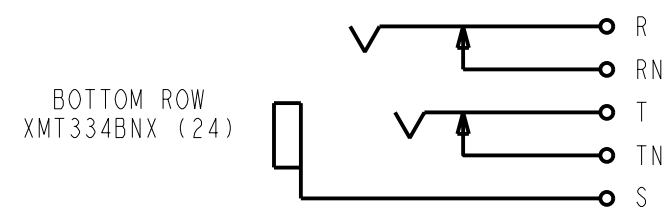
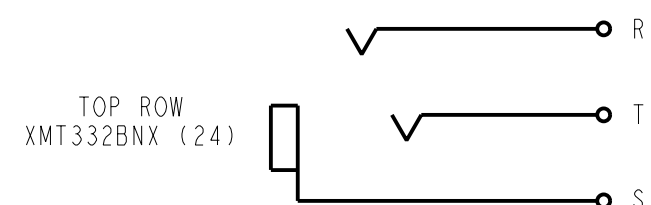


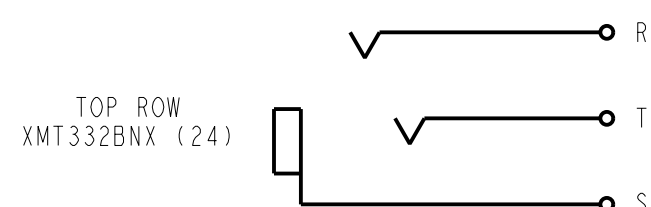
**MT48K1FNX**  
SCHEMATIC



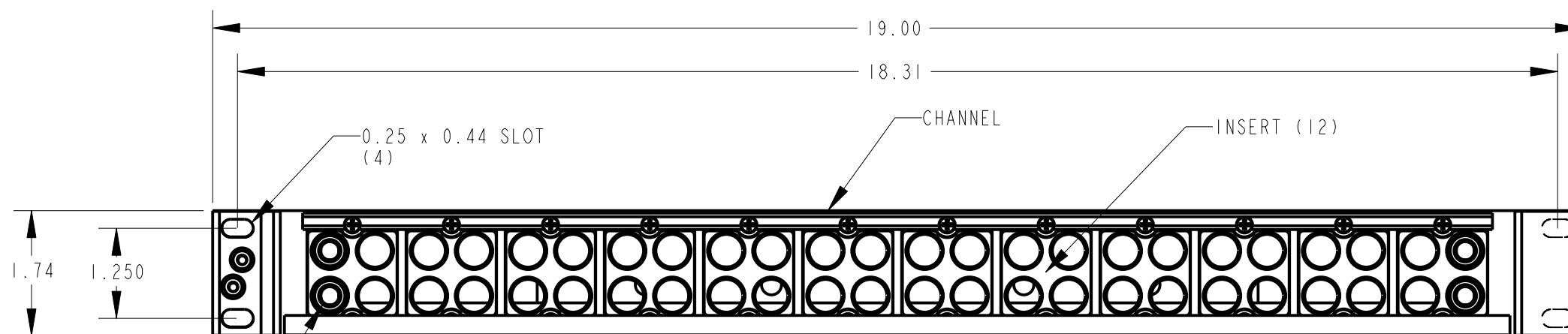
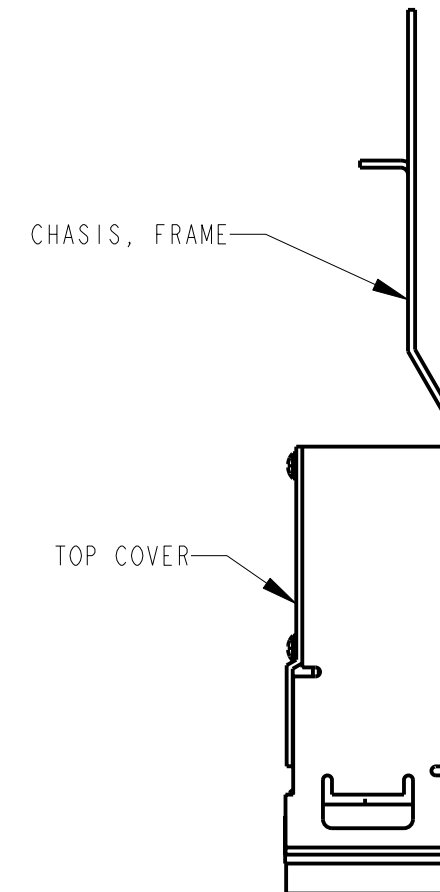
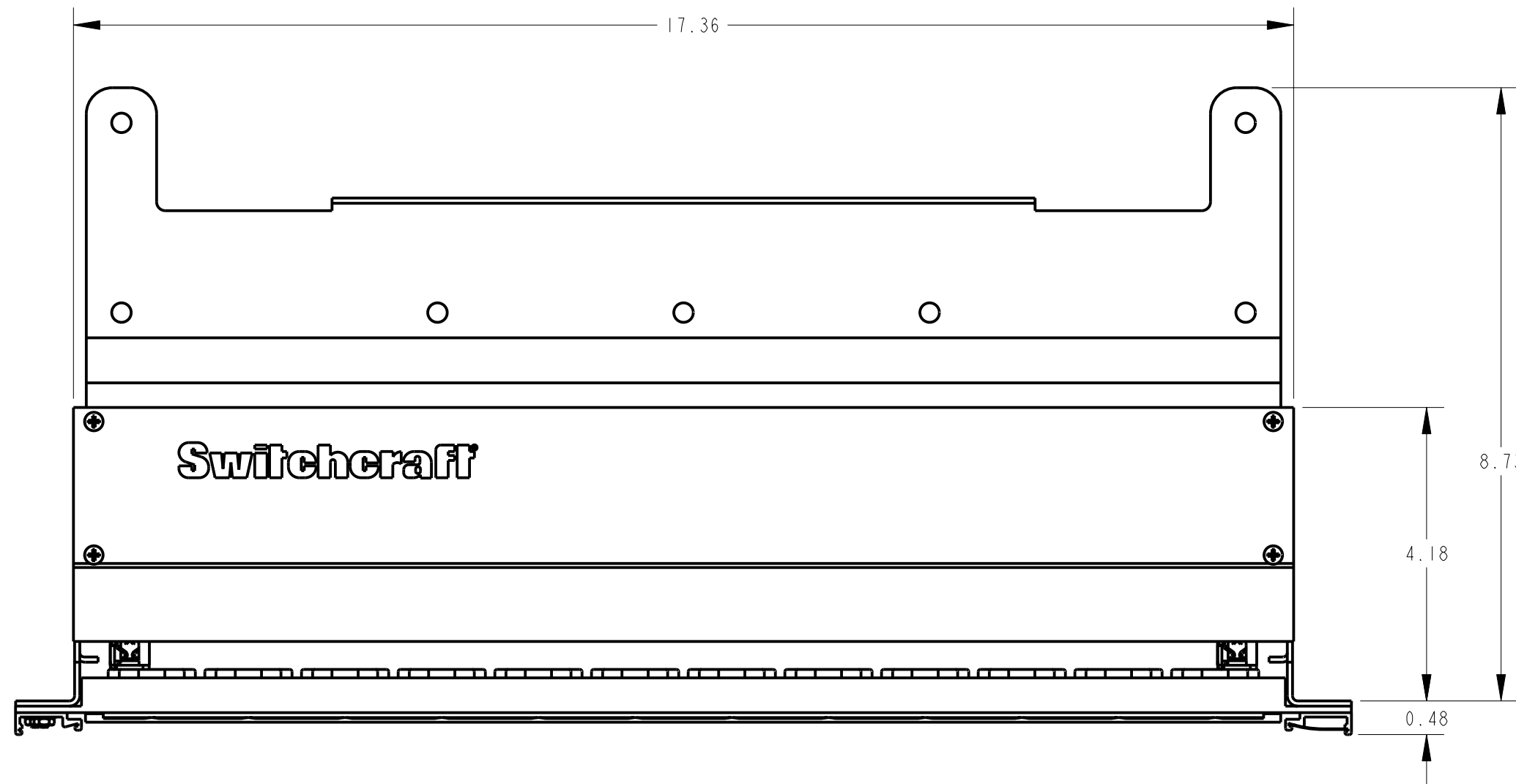
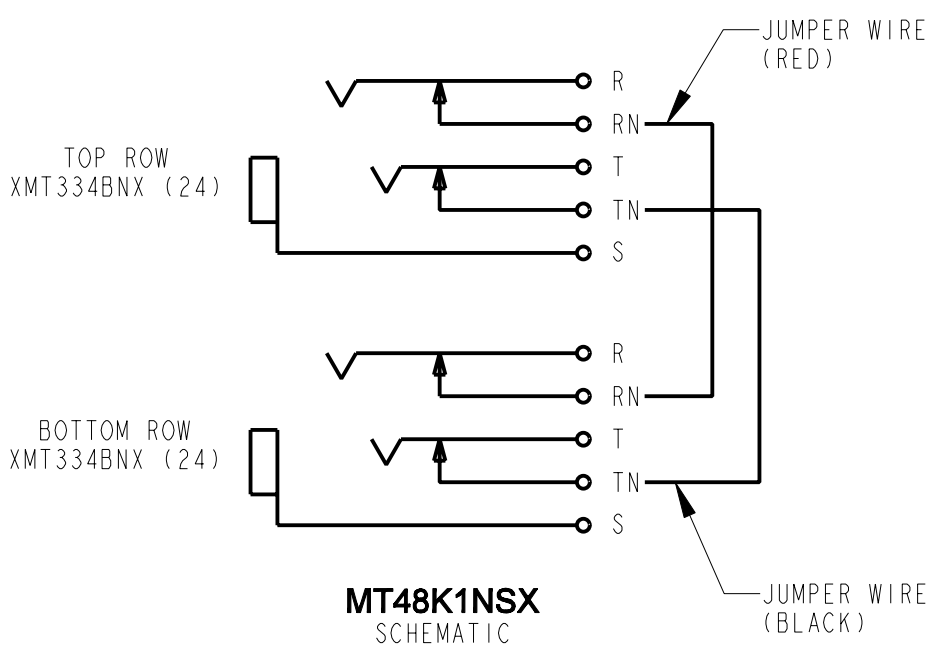
**MT48K1HNX**  
SCHEMATIC



**MT48K1NNX**  
SCHEMATIC



**MT48K1NSX**  
SCHEMATIC



XMT JACKS  
SEE TABLE AND SCHEMATIC

NOTES:

- MATERIALS:  
CHASIS, FRAME - CRS, BLACK EPOXY PAINT  
TOP COVER - ALUMINUM, BLACK ANNOXIDIZED  
JACK INSULATOR BLOCKS - THERMOPLASTIC, BLACK  
JACK FRAME - CRS, NICKEL PLATED  
JACK BUSHING - BRASS, NICKEL PLATED
- MOUNTING SCREWS, DESIGNATION STRIPS, MARKING STRIPS AND COVERS SHIPPED UNASSEMBLED.
- RoHS COMPLIANT.

| PART NUMBER | TYPE                            | JACK PART NUMBERS                           |
|-------------|---------------------------------|---|
| MT48K1FNX   | FULL NORMAL                     | XMT334BNX (48)                              |
| MT48K1HNX   | HALF NORMAL                     | XMT332BNX (24) TOP<br>XMT334BNX (24) BOTTOM |
| MT48K1NNX   | NON-NORMAL                      | XMT332BNX (48)                              |
| MT48K1NSX   | FULL NORMAL<br>NORMALS STRAPPED | XMT334BNX (48)                              |

CUSTOMER DRAWING

|   |            |      |    |      |  |       |                   |          |                    |
|---|------------|------|----|------|--|-------|-------------------|----------|--------------------|
| ★ STAR SYMBOL DENOTES CRITICAL DIMENSION  |            |      |    |      | THIS DRAWING DESCRIBES A DESIGN CONSIDERED PROPRIETARY IN NATURE, DEVELOPED AND MANUFACTURED BY SWITCHCRAFT INC. AND IS RELEASED ON A CONFIDENTIAL BASIS FOR IDENTIFICATION PURPOSES ONLY. |       |                   |          |                    |
| UNLESS OTHERWISE SPECIFIED  |            |      |    |      | SIZE   | WIDTH | MULT              | LBS/M    | TEMPER             |
| 1. ALL DIMENSIONS IN INCHES<br>- TWO PLACE DECIMALS ±0.01<br>- THREE PLACE DECIMALS ±0.005<br>- ANGLES ±1°<br>- ALL DIA. CONCENTRIC WITHIN 0.005 T.I.R. |            |      |    |      | FINISH   |       | MATERIAL SPEC No. |          |                    |
| 2. FEATURES ON THE SAME CENTERLINE MUST BE ALIGNED WITHIN ±0.002  |            |      |    |      | FIRST USED ON  |       | SCALE 1:2         |          |                    |
| 3. REMOVE ALL BURRS   |            |      |    |      | DATE DRAWN   | BY    | CHKD TO           | APVD TJK | <b>Switchcraft</b> |
| DO NOT SCALE DRAWING  |            |      |    |      | 24-Nov-10  | TO    | 11-24-10          | 11-24-10 |                    |
| REV   | ECO NUMBER | DATE | BY | APVD | NAME   |       | PART No.          |          | REV                |
|   |            |      |    |      | IRU, UNWIRED   |       | MT48K1_X_SERIES   |          | A                  |
| REVISIONS   |            |      |    |      | P-KIT ASSEMBLY, RoHS   |       |                   |          |                    |