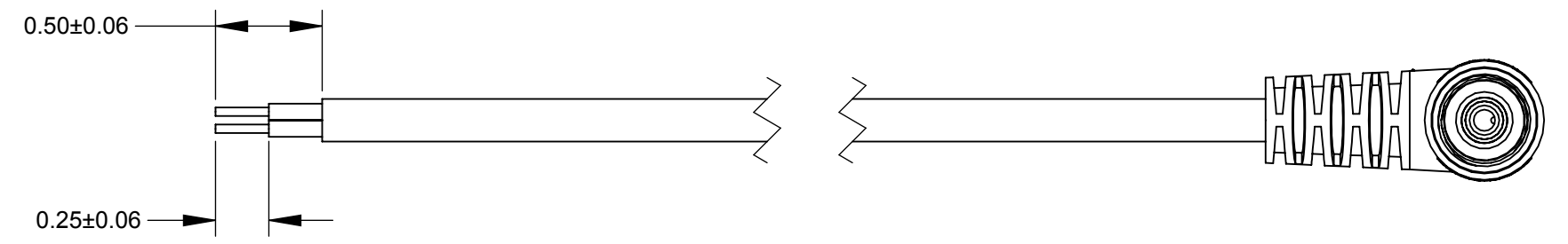
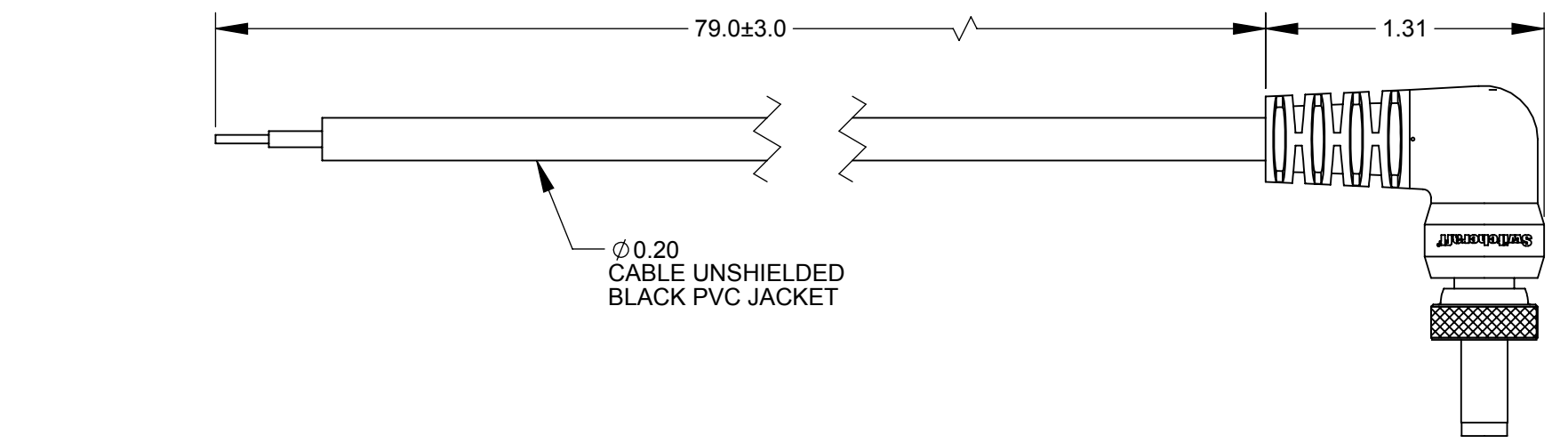
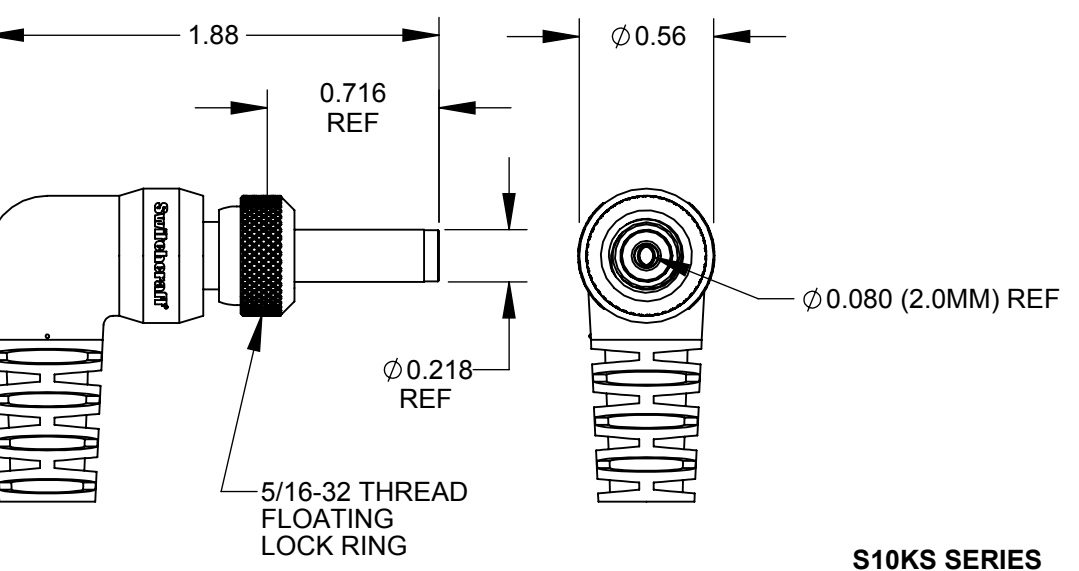


**761KS, 767KS, AND S761KS SERIES SEALED PLUGS**



WIRING TABLE	
POWER PLUG	WIRE COLOR
TIP	RED
SLEEVE	BLACK



**S10KS SERIES SEALED HI-AMP PLUG**

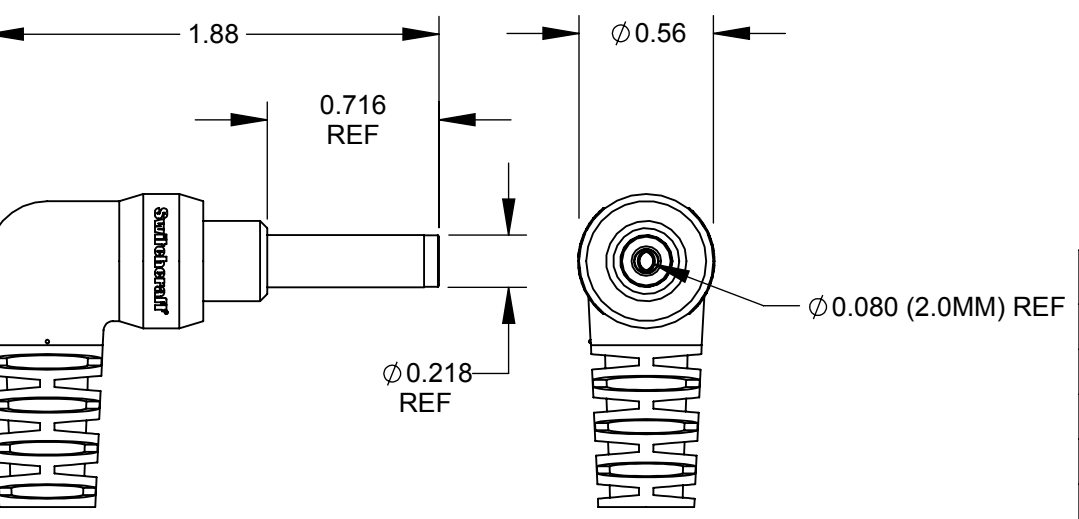
**C A R A 0 7 9 8 4**

CABLE ASSEMBLY ——— RIGHT ANGLE ——— STRIP AND TIN 1/2 INCH BY 1/4 INCH

761KS - SEALED 0.100 (2.5MM)  $\phi$  ID  
 767KS - SEALED 0.084 (2.1MM)  $\phi$  ID  
 S761KS - SEALED 0.080 (2.0MM)  $\phi$  ID  
 S10KS - HI AMP - SEALED 0.080(2.0MM)  $\phi$  ID  
 S10 - HI AMP NON-SEALED - 0.080(2.0MM)  $\phi$  ID NON-LOCKING

79 INCHES (2 METERS) OF CABLE  
 SEALED PLUGS - 2 CONDUCTOR 20 AWG  
 HI - AMP PLUGS - 2 CONDCUTOR 16 AWG

**CUSTOMER DRAWING**



**S10 SERIES NON-SEALED NON-LOCKING HI-AMP PLUG**

REV	ECO NUMBER	DATE	BY	APVD
A	27477	4/2/15	TJK	TJK

UNLESS OTHERWISE SPECIFIED

1. ALL DIMENSIONS IN INCHES  
 - TWO PLACE DECIMALS  $\pm 0.02$   
 - THREE PLACE DECIMALS  $\pm 0.005$

DO NOT SCALE DRAWING

THIS DRAWING DESCRIBES A DESIGN CONSIDERED PROPRIETARY IN NATURE, DEVELOPED AND MANUFACTURED BY SWITCHCRAFT INC. AND IS RELEASED ON A CONFIDENTIAL BASIS FOR IDENTIFICATION PURPOSES ONLY.										
SIZE	WIDTH	MULT	LBS/M	TEMPER						
FINISH SPEC No.					MATERIAL SPEC No.					
FIRST USED ON				SCALE 1.25:1						
DATE DRAWN	BY	CHKD	APVD							
3/19/15	AB	AB	TJK							
		3/19/15	4/2/15							
NAME CABLE ASSEMBLY - MOLDED RIGHT ANGLE POWER PLUGS, RoHS									PART No. CARA_07984	REV A