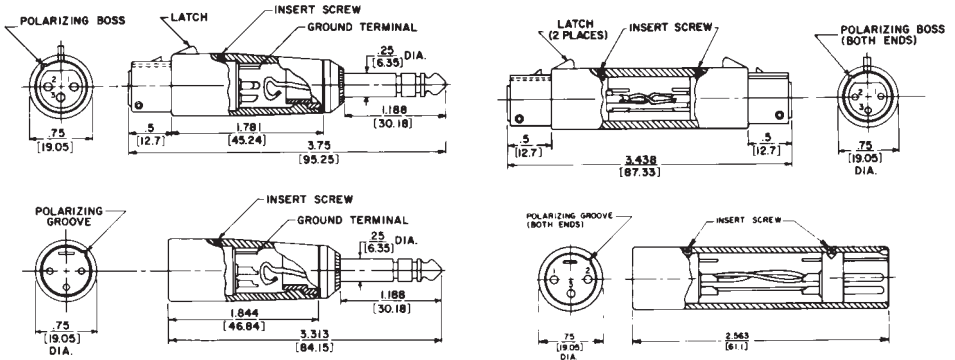
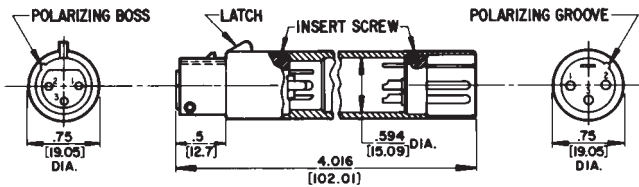


SWITCHCRAFT, INC. 5555 N. Elston Ave.
Chicago, IL 60630 • 773 792-2700 • FAX: 773 792-2129
www.switchcraft.com

Q-G® ADAPTERS, ACCESSORIES



S*FM AUDIO CONNECTOR-ADAPTER



AUDIO "Y" ADAPTERS

