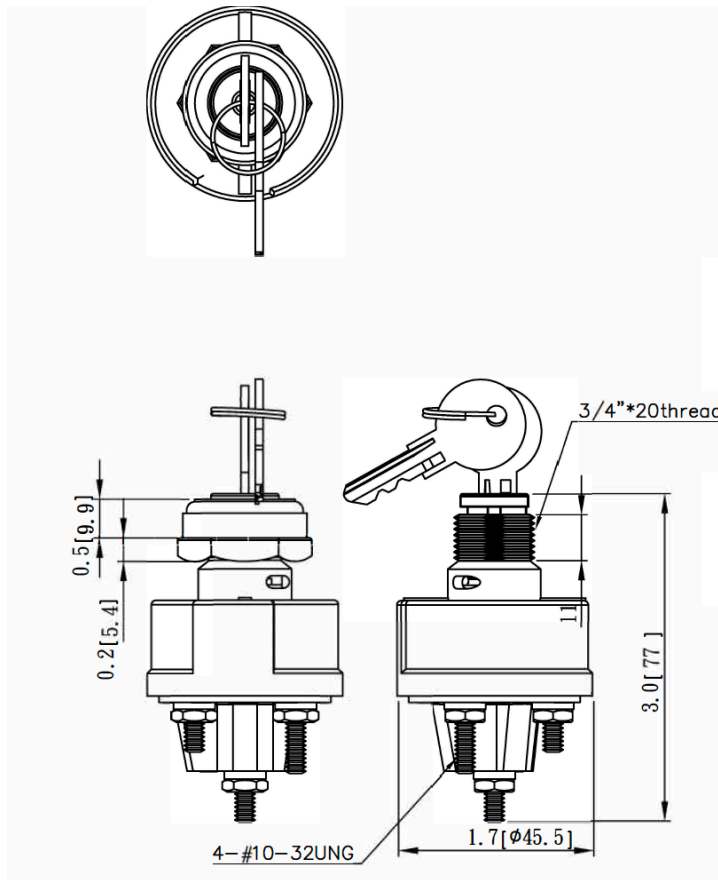
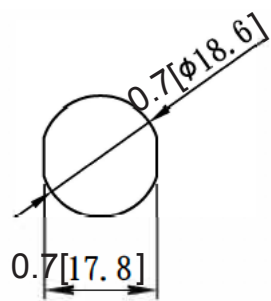


**Mechanical Dimensions: Inches [mm]**

Tolerances  $\pm 0.012$  [0.5] Unless Otherwise Specified

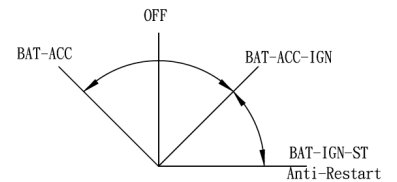


**Mounting Hole**



**Circuit Diagram**

**4 Positions**



**Electrical Specifications**

|                     |                           |
|---------------------|---------------------------|
| Continuous Rating   | 30A 12VDC                 |
| IGN Terminal Rating | 8A 14VDC                  |
| ACC Terminal        | 30A 14VDC                 |
| Start               | 75A Make, 20A Break 14VDC |

**Material Specifications**

|                           |
|---------------------------|
| Zinc diecast construction |
| Copper terminals          |
| 2 Brass keys              |

| Rev | Date of issue | Revision Notes  | Designed | Approved |
|-----|---------------|-----------------|----------|----------|
| A   | 11-12-2019    | Initial Drawing | RC       | OF       |