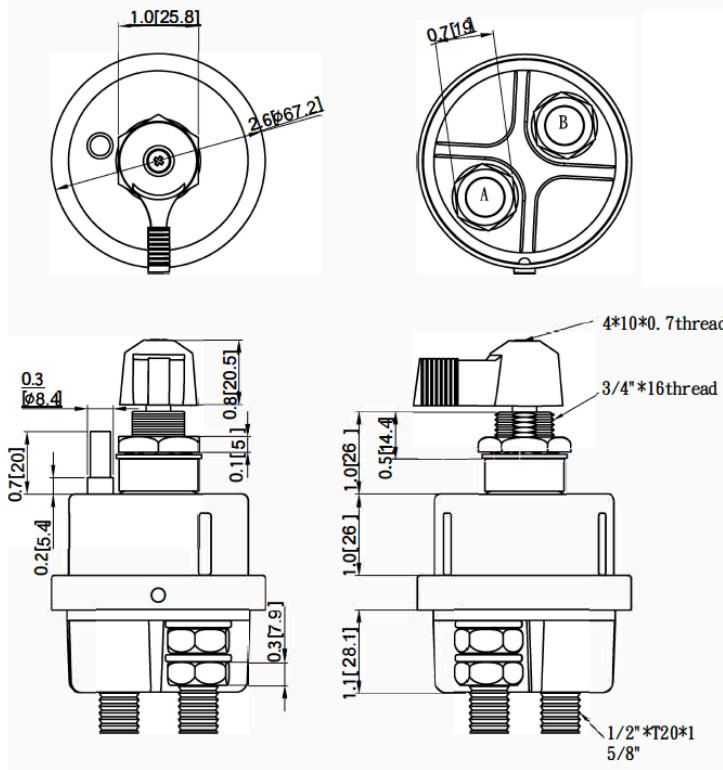
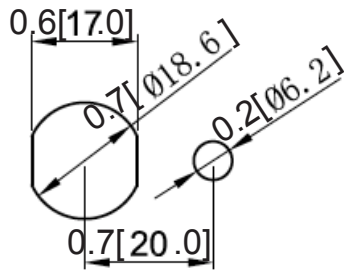


Mechanical Dimensions: Inches [mm]

Tolerances ± 0.012 [0.3] Unless Otherwise Specified

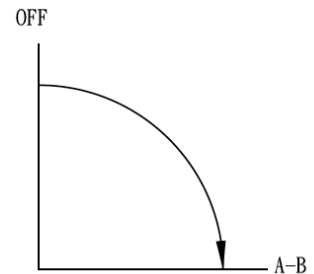


Mounting Hole



Circuit Diagram

SPST: Does not disconnect alternator or generator field circuit.



Electrical Specifications

Continuous Rating	300A 6-32VDC
Intermittent Rating	2000A for 5secs intervals
Inrush Rating	1000A for 30secs intervals
Insulation Resistance	DC 500V 100M ohm Min
Dielectric Strength	AC 1000V 1 minute

Materials Specifications

Steel construction
Sealed with O-rings at base and mounting stem
Case and terminal insulator
Copper terminals
IP67
Includes Lock-Out Kit

Rev	Date of issue	Revision Notes	Designed	Approved
A	11-21-2019	Initial Drawing	RC	OF