

storm SF6000 Series Keypad



Compact numeric data entry for use where panel space is limited

- Impact resistant
20J BS EN 60068-2-75: 1997)
- Weather resistant (IP65)
- Suitable for use by those with mobility or sensory impairment
- Permanent, high contrast, laser engraved keytop graphics (engraved and infilled metal keys)
- Raised tactile symbols on coloured function keys and 'home pip' on the 5 key
- Rugged, reliable and responsive data entry featuring Storm's patented switch technology
- Available with black polymer keys, illuminated polymer keys or metal keys
- Small footprint – overall dimensions: 106.5 x 88.5 x 31 mm (including contact connections)
- Can be sanitised using most commonly used cleaning agents



UK Email: sales@storm-interface.com Tel: +44 (0)1895 431421
USA Email: sales.usa@storm-keypads.com Tel: +1 (630) 472 5360

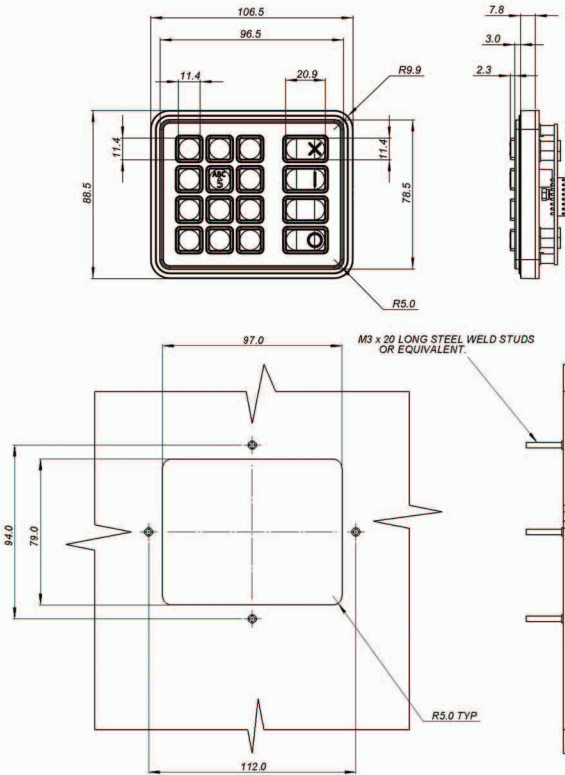
www.storm-interface.com

Storm Interface products include technology protected by international patents and design registration. All rights reserved.

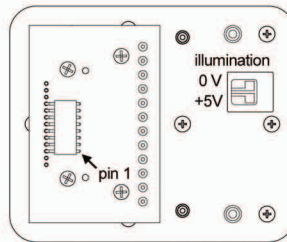
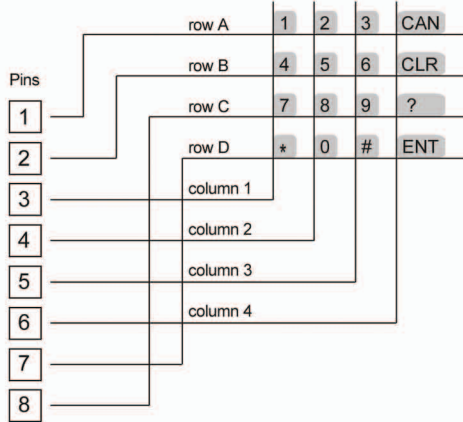


Small Footprint – SF6000 Series Keypad

Dimensions



Connection Details



Keypad connector

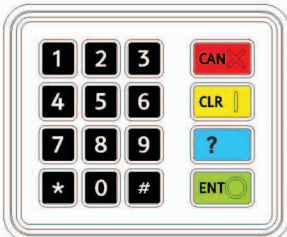
8-position, 0.1" pitch, gold plated right angle pins w/friction lock mates with: **Molex 22013087**

Illumination connector

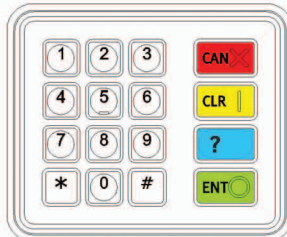
2-position, disconnectable mates with: **JST PHR-2**



Keypad Layouts

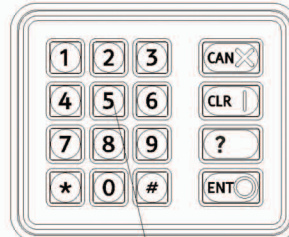


All other keys are black polymer, laser marked white.



All other keys are metal, engraved and infilled black

- Red Polymer Key with raised cross
- Yellow Polymer Key with raised vertical bar
- Blue Polymer Key no raised feature
- Green Polymer Key with raised circle



5 Key has central homepip

All keys are translucent white marked with black characters

- Red Illumination with raised cross
- Yellow Illumination with raised vertical bar
- Blue Illumination no raised feature
- Green Illumination with raised circle

Electrical

Keypad Operating Voltage	24V DC (max)
Keypad Operating Current	50mA (max)
Contact Resistance	100 ohms (max)
Illumination Voltage	5V DC (separate connector)

Mechanical

Minimum Operational Life	4 million cycles/key
Keytop Travel	1.5 mm
Actuation Force	150 gm

Environmental

Operating Temperature	-20°C to 60°C
Vandal Resistant	20J BS EN 60068-2-75: 1997
Weather Resistant	IP65 (where mounted to a suitable enclosure – panel mount gasket included)

Ordering Details

Stock No.	Description
8616-21002[x]	Laser Engraved polymer Keys
8616-31002[x]	Engraved Metal Keys
8616-41002[x]	Illuminated Polymer Keys
8600-MK000[x]	Under Panel Mount Kit
4200-003	RS-232 Encoder

Whilst every effort is made to ensure details are correct at time of print, specifications are subject to change without notice.



UL File reference: E230121

Designed & produced by NIK Design
www.nikdesign.co.uk



860-LIT-01 Rev 2
Dec 2007



FM 39602



USA Office:
Storm Interface
800 Enterprise Drive
Oak Brook
Illinois 60523 USA
Tel: +1 (630) 472 5360
Fax: +1 (630) 472 5364
Email: sales.usa@storm-keypads.com

UK Office:
Storm Interface
14 Bentinck Court
Bentinck Road
West Drayton
Middlesex UB7 7RQ
Tel: +44 (0)1895 431421
Fax: +44 (0)1895 431132
Email: sales@storm-interface.com
www.storm-interface.com

Storm is a trademark of Keymat Technology Ltd
Storm Interface is a trading name of Keymat Technology Ltd
Storm Interface products include technology protected by international patents and design registration. All rights reserved.