



STPS30U100DJF

ULVF™ power Schottky rectifier

Features

- High current capability
- Ultralow forward voltage drop
- Low thermal resistance
- High frequency operation
- High integration

Description

The STPS30U100DJF is a power Schottky rectifier featuring an ultralow forward voltage drop (ULVF), suited for high frequency switch mode power supply and DC to DC converters.

Packaged in PowerFLAT™, this device is intended to be used in notebook, game station and desktop adapters, providing these applications with good efficiency at both low and high load. Its low profile was especially designed to be used in applications with space-saving constraints.

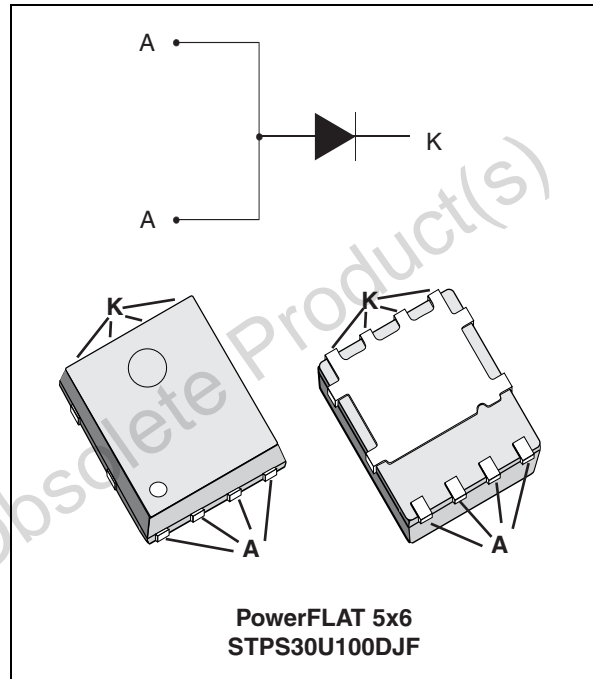


Table 1. Device summary

Symbol	Value
$I_{F(AV)}$	30 A
V_{RRM}	100 V
$T_j(\text{max})$	150 °C
$V_F(\text{typ})$	0.69 V

TM: ULVF and PowerFLAT are trademarks of STMicroelectronics

1 Characteristics

Table 2. Absolute ratings (limiting values, anode terminals short circuited)

Symbol	Parameter	Value	Unit
V_{RRM}	Repetitive peak reverse voltage	100	V
$I_{F(RMS)}$	Forward rms current	45	A
$I_{F(AV)}$	Average forward current	$T_c = 75^\circ\text{C}, \delta = 0.5$	A
I_{FSM}	Surge non repetitive forward current	$t_p = 10 \text{ ms sine-wave}$	A
T_{stg}	Storage temperature range	-65 to + 150	$^\circ\text{C}$
T_j	Maximum operating junction temperature ⁽¹⁾	150	$^\circ\text{C}$

1. $\frac{dP_{tot}}{dT_j} < \frac{1}{R_{th(j-a)}}$ condition to avoid thermal runaway for a diode on its own heatsink

Table 3. Thermal resistance

Symbol	Parameter	Value	Unit
$R_{th(j-c)}$	Junction to case	2.5	$^\circ\text{C/W}$

Table 4. Static electrical characteristics (anode terminals short circuited)

Symbol	Parameter	Test conditions	Min.	Typ.	Max.	Unit
$I_R^{(1)}$	Reverse leakage current	$T_j = 125^\circ\text{C}, V_R = 70 \text{ V}$	-	8	-	mA
		$T_j = 25^\circ\text{C}$	-	-	170	μA
		$T_j = 125^\circ\text{C}, V_R = V_{RRM}$	-	20	45	mA
$V_F^{(2)}$	Forward voltage drop	$T_j = 125^\circ\text{C}, I_F = 5 \text{ A}$	-	0.38	0.42	V
		$T_j = 125^\circ\text{C}, I_F = 10 \text{ A}$	-	0.475	0.53	
		$T_j = 25^\circ\text{C}, I_F = 30 \text{ A}$	-	-	0.855	
		$T_j = 125^\circ\text{C}, I_F = 30 \text{ A}$	-	0.69	0.77	

1. Pulse test: $t_p = 5 \text{ ms}, \delta < 2\%$

2. Pulse test: $t_p = 380 \mu\text{s}, \delta < 2\%$

To evaluate the maximum conduction losses use the following equation:

$$P = 0.590 \times I_{F(AV)} + 0.006 \times I_{F(RMS)}^2$$

Figure 1. Average forward power dissipation versus average forward current (maximum values)

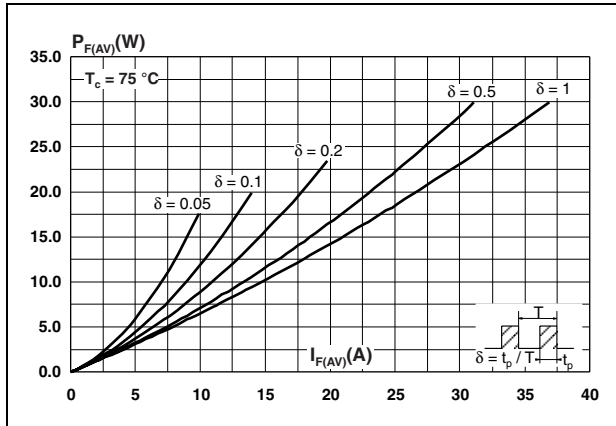


Figure 2. Average forward current versus ambient temperature ($\delta = 0.5$)

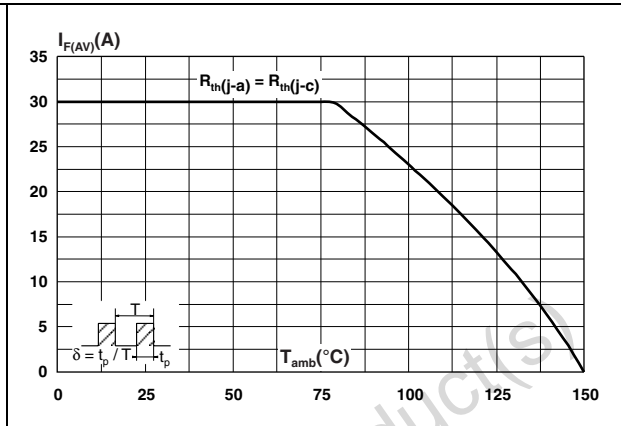


Figure 3. Non repetitive surge peak forward current versus overload duration (maximum values)

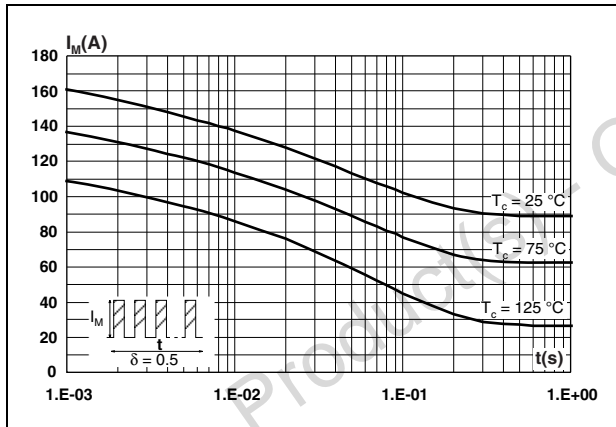


Figure 4. Relative variation of thermal impedance, junction to case, versus pulse duration

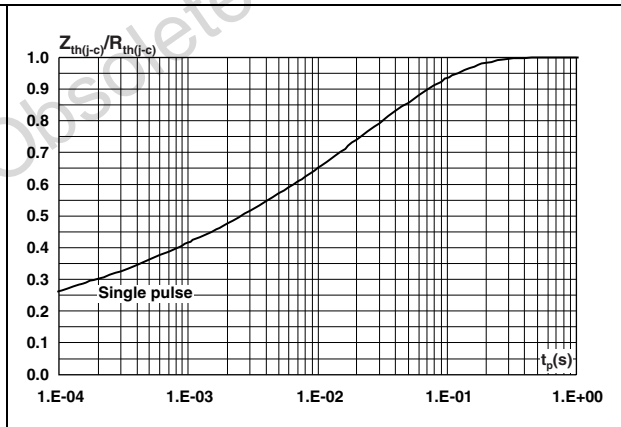


Figure 5. Reverse leakage current versus reverse voltage applied (typical values)

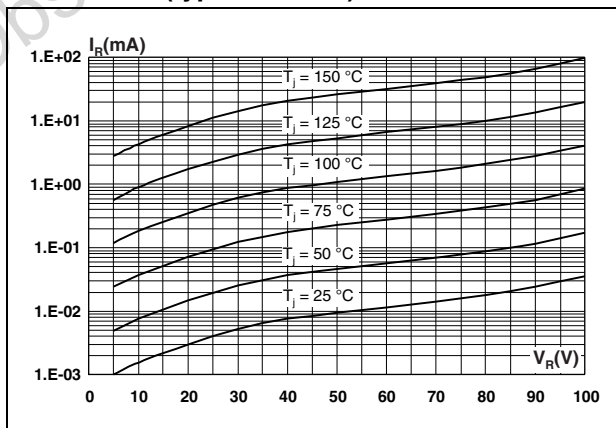


Figure 6. Junction capacitance versus reverse voltage applied (typical values)

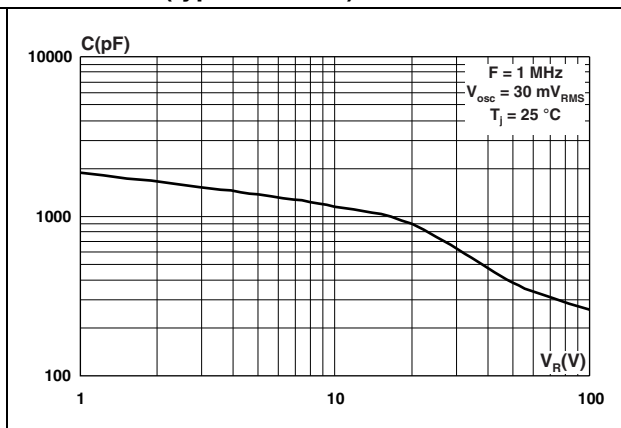


Figure 7. Forward voltage drop versus forward current

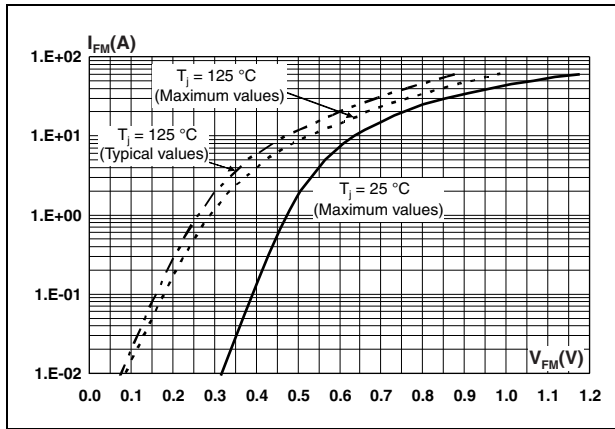
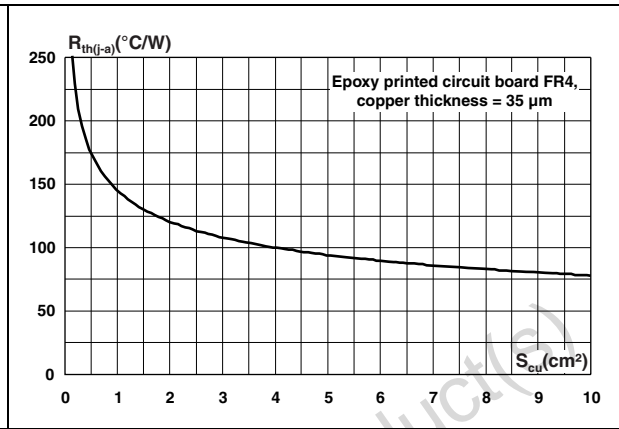


Figure 8. Thermal resistance, junction to ambient, versus copper surface under tab

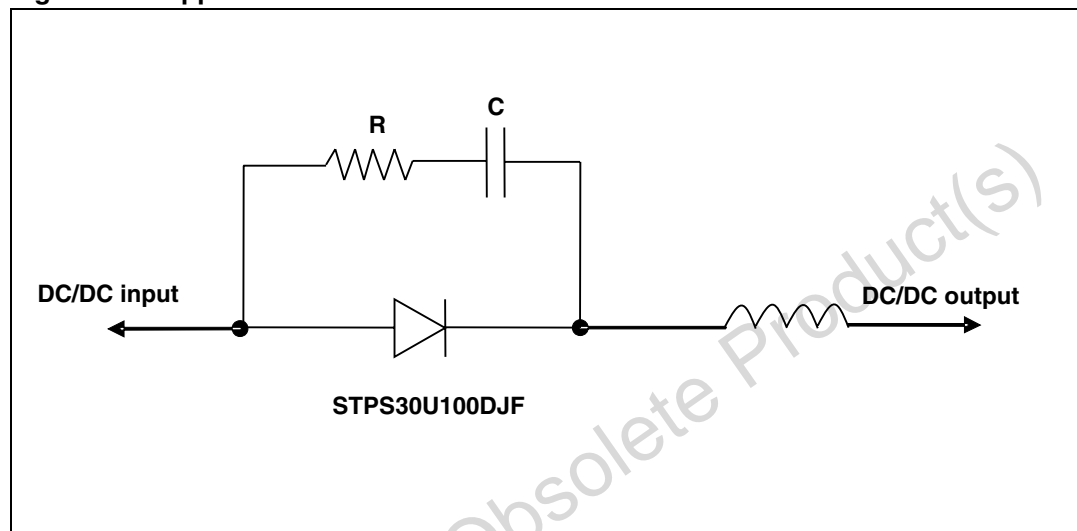


Obsolete Product(s) - Obsolete Product(s)

2 Application information

It is mandatory to ensure a peak reverse voltage below the V_{RRM} absolute rating. Therefore ST recommends the use of an RC clamping snubber circuit in parallel with the STPS30U100DJF device.

Figure 9. Application schematic

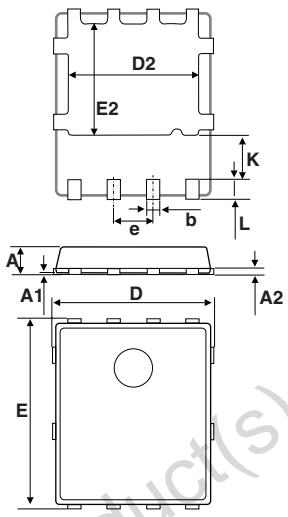


3 Package information

- Epoxy meets UL94,V0
- Lead-free package

In order to meet environmental requirements, ST offers these devices in different grades of ECOPACK® packages, depending on their level of environmental compliance. ECOPACK® specifications, grade definitions and product status are available at: www.st.com. ECOPACK® is an ST trademark.

Table 5. PowerFLAT 5x6 dimensions



Ref.	Dimensions					
	Millimeters			Inches		
	Min.	Typ.	Max.	Min.	Typ.	Max.
A	0.80		1.00	0.031		0.039
A1	0.02		0.05	0.001		0.002
A2		0.25			0.010	
b	0.30		0.50	0.012		0.020
D		5.20			0.205	
D2	4.11		4.31	0.162		0.170
e		1.27			0.050	
E		6.15			0.242	
E2	3.50		3.70	0.138		0.146
L	0.50		0.80	0.020		0.031
K	1.275		1.575	0.050		0.062

Figure 10. Footprint (dimensions in mm)

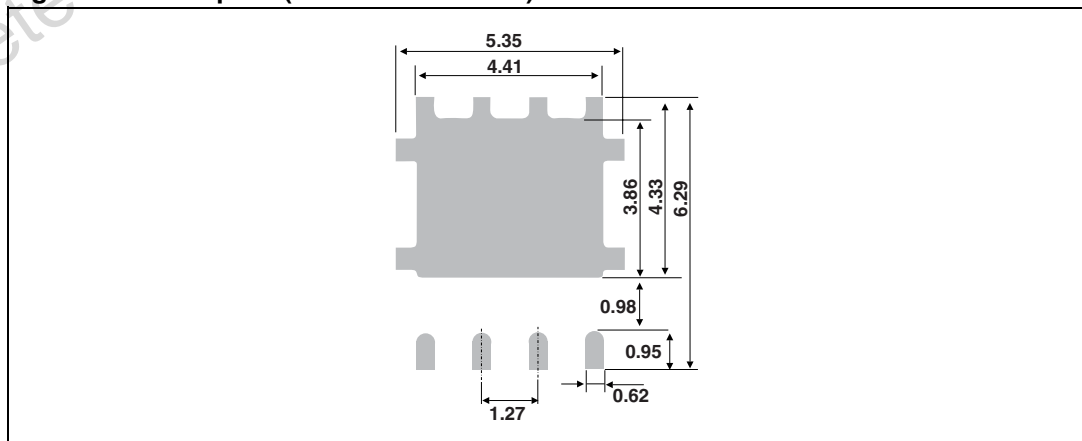
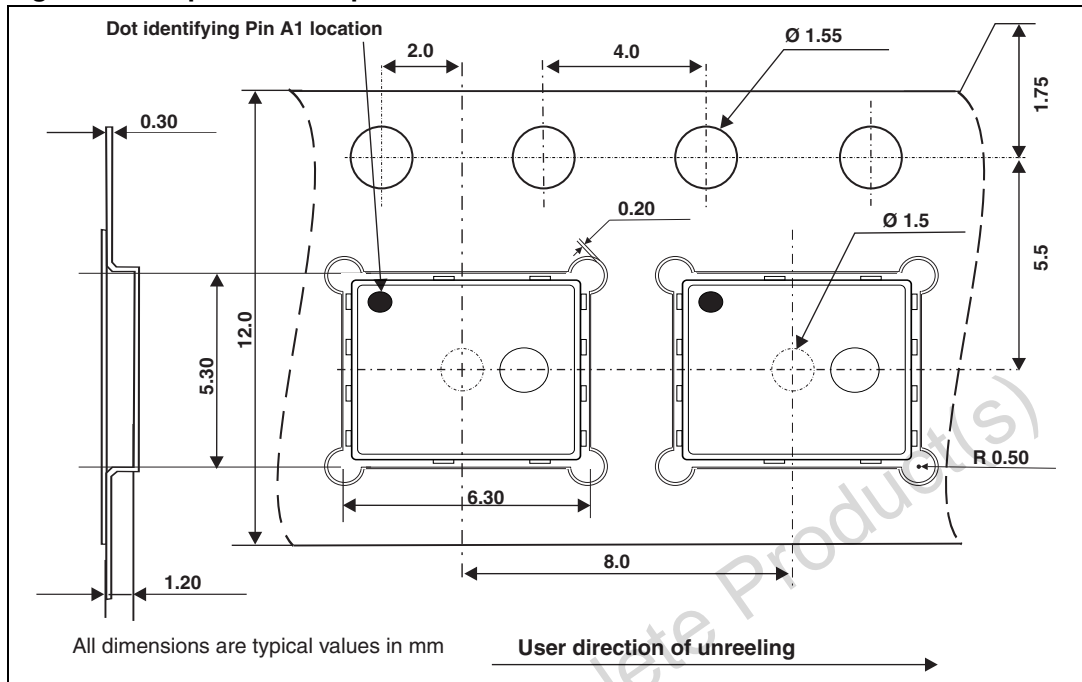


Figure 11. Tape and reel specifications



4 Ordering information

Table 6. Ordering information

Order code	Marking	Package	Weight	Base qty	Delivery mode
STPS30U100DJF-TR	PS30 U100	PowerFLAT 5x6	95 mg	3000	Tape and reel

5 Revision history

Table 7. Document revision history

Date	Revision	Changes
02-Nov-2010	1	First issue.
09-Dec-2010	2	Added "maximum" to conduction loss calculation in Section 1 on page 2 .
20-May-2011	3	Added reference E in Table 5 . Updated package graphics. Updated base quantity and marking in Table 6 . Added Figure 11 .

Please Read Carefully:

Information in this document is provided solely in connection with ST products. STMicroelectronics NV and its subsidiaries ("ST") reserve the right to make changes, corrections, modifications or improvements, to this document, and the products and services described herein at any time, without notice.

All ST products are sold pursuant to ST's terms and conditions of sale.

Purchasers are solely responsible for the choice, selection and use of the ST products and services described herein, and ST assumes no liability whatsoever relating to the choice, selection or use of the ST products and services described herein.

No license, express or implied, by estoppel or otherwise, to any intellectual property rights is granted under this document. If any part of this document refers to any third party products or services it shall not be deemed a license grant by ST for the use of such third party products or services, or any intellectual property contained therein or considered as a warranty covering the use in any manner whatsoever of such third party products or services or any intellectual property contained therein.

UNLESS OTHERWISE SET FORTH IN ST'S TERMS AND CONDITIONS OF SALE ST DISCLAIMS ANY EXPRESS OR IMPLIED WARRANTY WITH RESPECT TO THE USE AND/OR SALE OF ST PRODUCTS INCLUDING WITHOUT LIMITATION IMPLIED WARRANTIES OF MERCHANTABILITY, FITNESS FOR A PARTICULAR PURPOSE (AND THEIR EQUIVALENTS UNDER THE LAWS OF ANY JURISDICTION), OR INFRINGEMENT OF ANY PATENT, COPYRIGHT OR OTHER INTELLECTUAL PROPERTY RIGHT.

UNLESS EXPRESSLY APPROVED IN WRITING BY AN AUTHORIZED ST REPRESENTATIVE, ST PRODUCTS ARE NOT RECOMMENDED, AUTHORIZED OR WARRANTED FOR USE IN MILITARY, AIR CRAFT, SPACE, LIFE SAVING, OR LIFE SUSTAINING APPLICATIONS, NOR IN PRODUCTS OR SYSTEMS WHERE FAILURE OR MALFUNCTION MAY RESULT IN PERSONAL INJURY, DEATH, OR SEVERE PROPERTY OR ENVIRONMENTAL DAMAGE. ST PRODUCTS WHICH ARE NOT SPECIFIED AS "AUTOMOTIVE GRADE" MAY ONLY BE USED IN AUTOMOTIVE APPLICATIONS AT USER'S OWN RISK.

Resale of ST products with provisions different from the statements and/or technical features set forth in this document shall immediately void any warranty granted by ST for the ST product or service described herein and shall not create or extend in any manner whatsoever, any liability of ST.

ST and the ST logo are trademarks or registered trademarks of ST in various countries.

Information in this document supersedes and replaces all information previously supplied.

The ST logo is a registered trademark of STMicroelectronics. All other names are the property of their respective owners.

© 2011 STMicroelectronics - All rights reserved

STMicroelectronics group of companies

Australia - Belgium - Brazil - Canada - China - Czech Republic - Finland - France - Germany - Hong Kong - India - Israel - Italy - Japan - Malaysia - Malta - Morocco - Philippines - Singapore - Spain - Sweden - Switzerland - United Kingdom - United States of America

www.st.com