



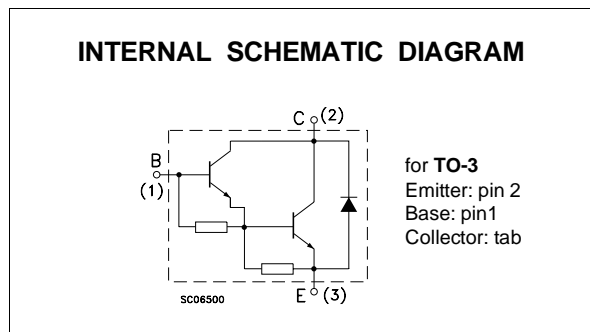
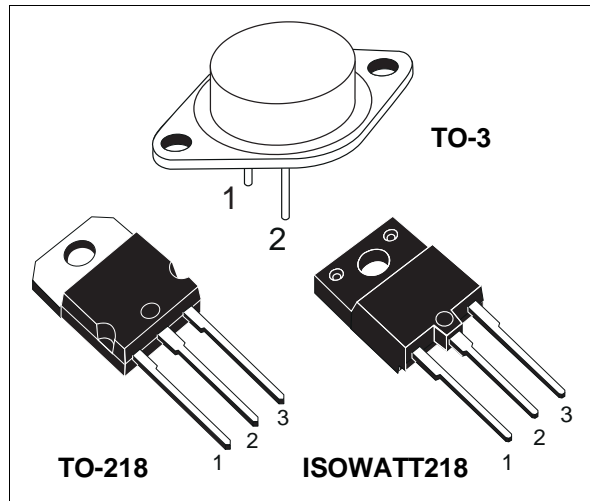
# BU941/BU941P BU941PFI

## HIGH VOLTAGE IGNITION COIL DRIVER NPN POWER DARLINGTON

- NPN DARLINGTON
- INTEGRATED ANTIPARALLEL COLLECTOR-EMITTER DIODE
- VERY RUGGED BIPOLAR TECHNOLOGY
- HIGH OPERATING JUNCTION TEMPERATURE
- WIDE RANGE OF PACKAGES

### APPLICATIONS

- HIGH RUGGEDNESS ELECTRONIC IGNITIONS



### ABSOLUTE MAXIMUM RATINGS

Symbol	Parameter	Value			Unit
		BU941	BU941P	BUB941PFI	
$V_{CES}$	Collector-Emitter Voltage ( $V_{BE} = 0$ )	500			V
$V_{CEO}$	Collector-Emitter Voltage ( $I_B = 0$ )	400			V
$V_{EBO}$	Emitter-Base Voltage ( $I_C = 0$ )	5			V
$I_C$	Collector Current	15			A
$I_{CM}$	Collector Peak Current	30			A
$I_B$	Base Current	1			A
$I_{BM}$	Base Peak Current	5			A
$P_{tot}$	Total Dissipation at $T_c = 25^\circ\text{C}$	180	155	65	W
$T_{stg}$	Storage Temperature	-65 to 200	-65 to 175	-65 to 175	$^\circ\text{C}$
$T_j$	Max. Operating Junction Temperature	200	175	175	$^\circ\text{C}$

**THERMAL DATA**

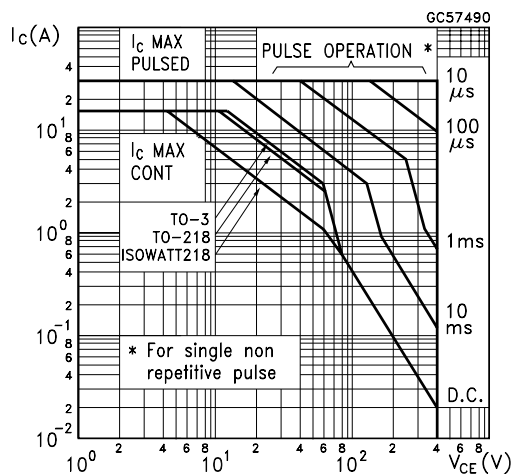
		<b>TO-3</b>	<b>TO-218</b>	<b>ISOWATT218</b>	
$R_{thj-case}$	Thermal Resistance Junction-case Max	0.97	0.97	2.3	$^{\circ}C/W$

**ELECTRICAL CHARACTERISTICS** ( $T_{case} = 25^{\circ}C$  unless otherwise specified)

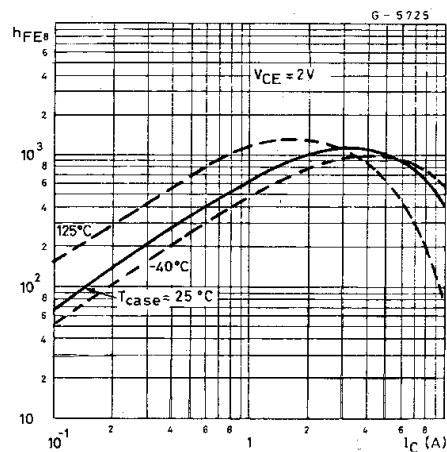
Symbol	Parameter	Test Conditions		Min.	Typ.	Max.	Unit
$I_{CES}$	Collector Cut-off Current ( $V_{BE} = 0$ )	$V_{CE} = 500 V$	$T_j = 125^{\circ}C$			100 0.5	$\mu A$ mA
$I_{CEO}$	Collector Cut-off Current ( $I_B = 0$ )	$V_{CE} = 450 V$	$T_j = 125^{\circ}C$			100 0.5	$\mu A$ mA
$I_{EBO}$	Emitter Cut-off Current ( $I_C = 0$ )	$V_{EB} = 5 V$				20	mA
$V_{CEO(sus)}^*$	Collector-Emitter Sustaining Voltage ( $I_B = 0$ )	$I_C = 100 mA$ $V_{Clamp} = 400 V$ (See FIG.4)	$L = 10 mH$	400			V
$V_{CE(sat)}^*$	Collector-Emitter Saturation Voltage	$I_C = 8 A$ $I_C = 10 A$ $I_C = 12 A$	$I_B = 100 mA$ $I_B = 250 mA$ $I_B = 300 mA$			1.6 1.8 2	V V V
$V_{BE(sat)}^*$	Base-Emitter Saturation Voltage	$I_C = 8 A$ $I_C = 10 A$ $I_C = 12 A$	$I_B = 100 mA$ $I_B = 250 mA$ $I_B = 300 mA$			2.2 2.5 2.7	V V V
$h_{FE}^*$	DC Current Gain	$I_C = 5 A$	$V_{CE} = 10 V$	300			
$V_F$	Diode Forward Voltage	$I_F = 10 A$				2.5	V
	Functional Test (see fig. 1)	$V_{CC} = 24 V$ $L = 7 mH$	$V_{Clamp} = 400 V$	10			A
$t_s$ $t_f$	INDUCTIVE LOAD Storage Time Fall Time (see fig. 3)	$V_{CC} = 12 V$ $V_{BE} = 0$ $L = 7 mH$ $I_B = 70 mA$	$V_{Clamp} = 300 V$ $R_{BE} = 47 \Omega$ $I_C = 7 A$		15 0.5		$\mu s$ $\mu s$

\* Pulsed: Pulse duration = 300  $\mu s$ , duty cycle 1.5 %

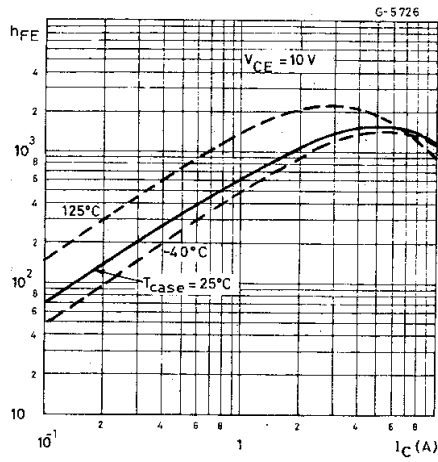
**Safe Operating Area**



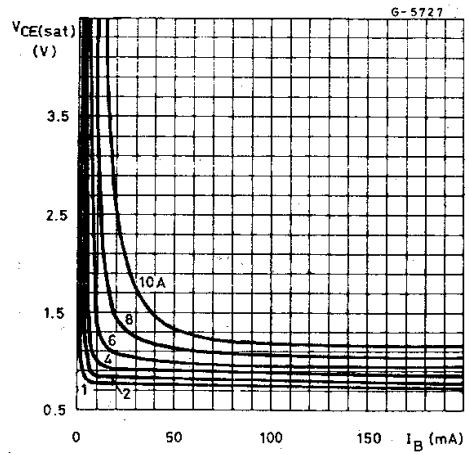
**DC Current Gain**



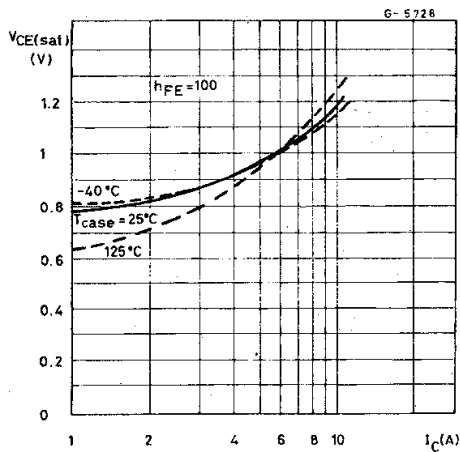
DC Current Gain



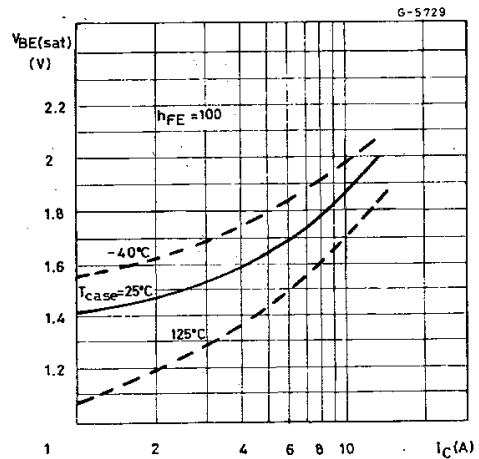
Collector-emitter Saturation Voltage



Collector-emitter Saturation Voltage



Base-emitter Saturation Voltage



Switching Time Inductive Load (see fig.3)

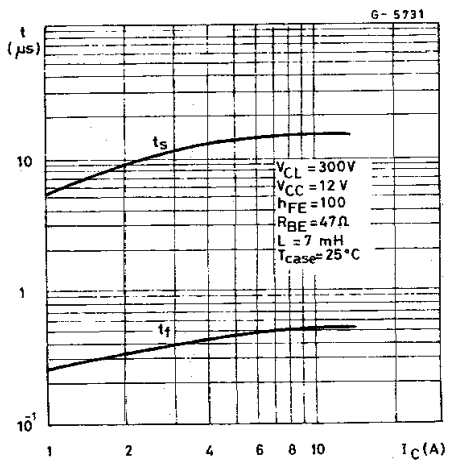


FIGURE 1: Functional Test Circuit

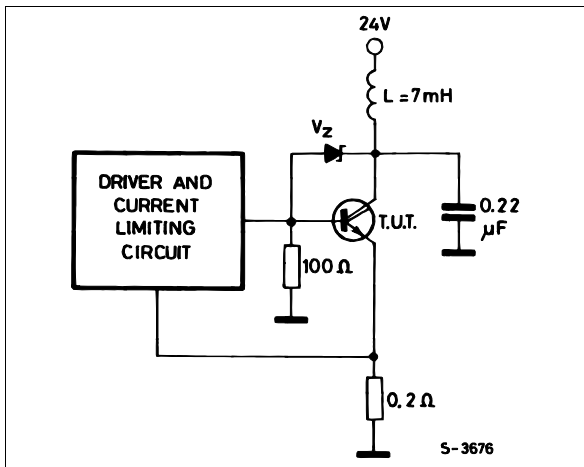


FIGURE 2: Functional Test Waveforms

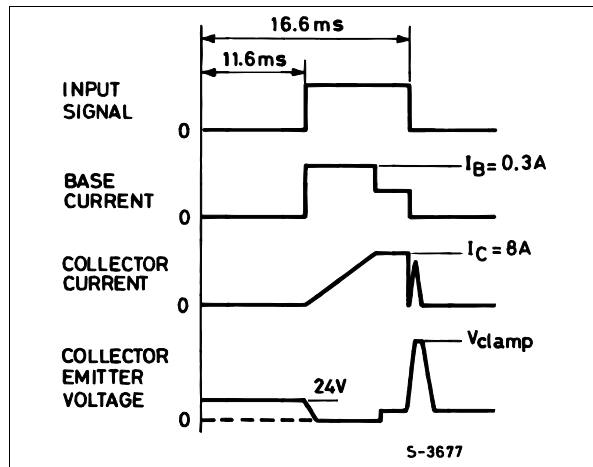


FIGURE 3: Switching Time Test Circuit

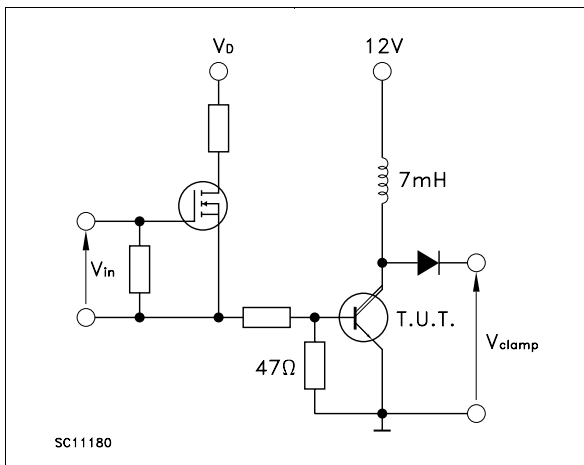
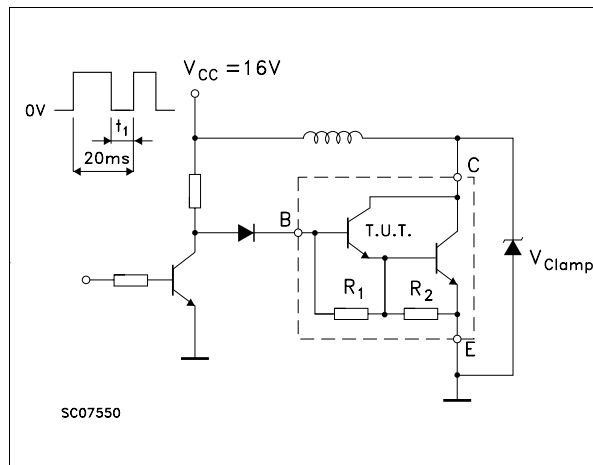
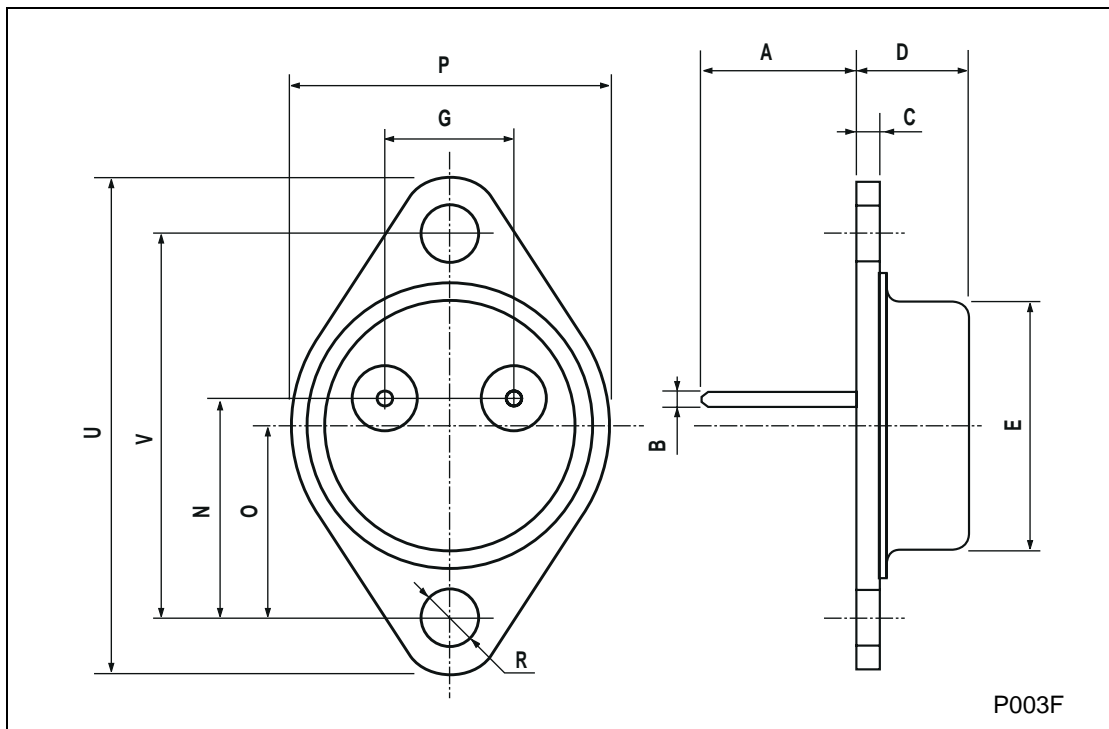


FIGURE 4: Sustaining Voltage Test Circuit



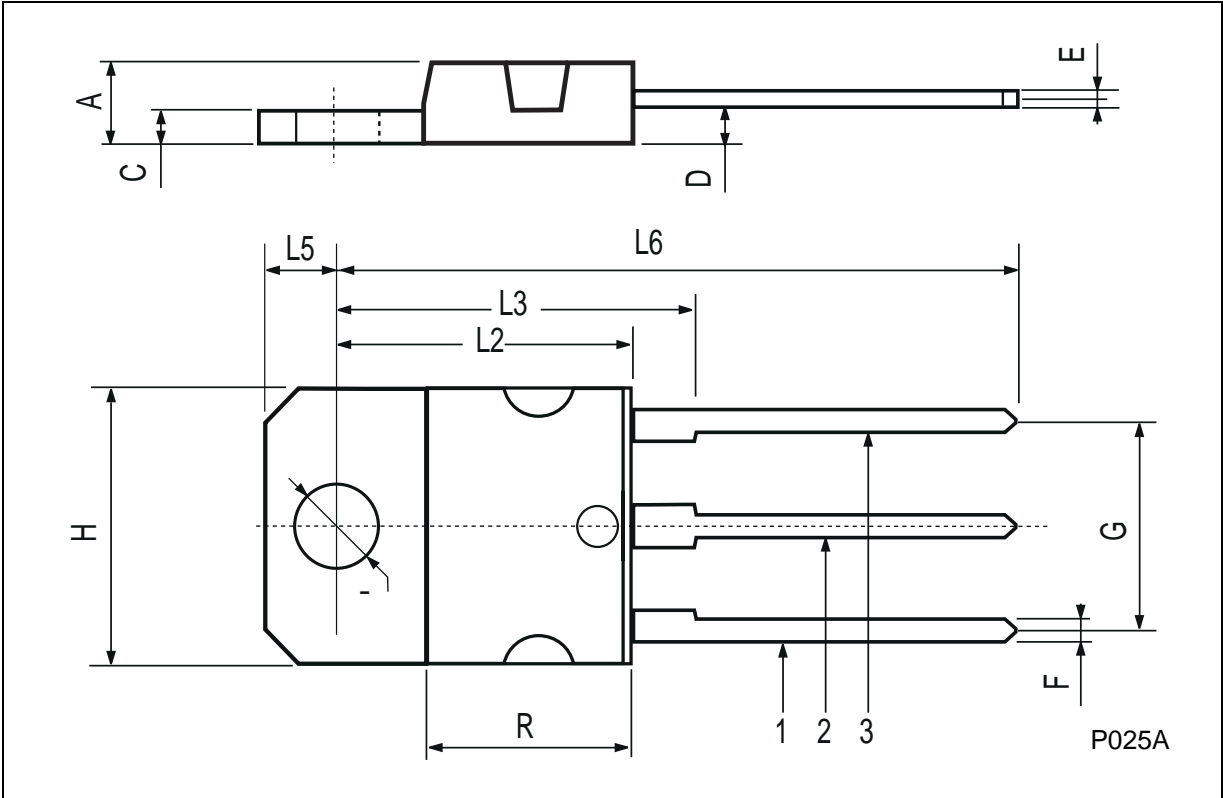
**TO-3 MECHANICAL DATA**

DIM.	mm			inch		
	MIN.	TYP.	MAX.	MIN.	TYP.	MAX.
A	11.00		13.10	0.433		0.516
B	0.97		1.15	0.038		0.045
C	1.50		1.65	0.059		0.065
D	8.32		8.92	0.327		0.351
E	19.00		20.00	0.748		0.787
G	10.70		11.10	0.421		0.437
N	16.50		17.20	0.649		0.677
P	25.00		26.00	0.984		1.023
R	4.00		4.09	0.157		0.161
U	38.50		39.30	1.515		1.547
V	30.00		30.30	1.187		1.193



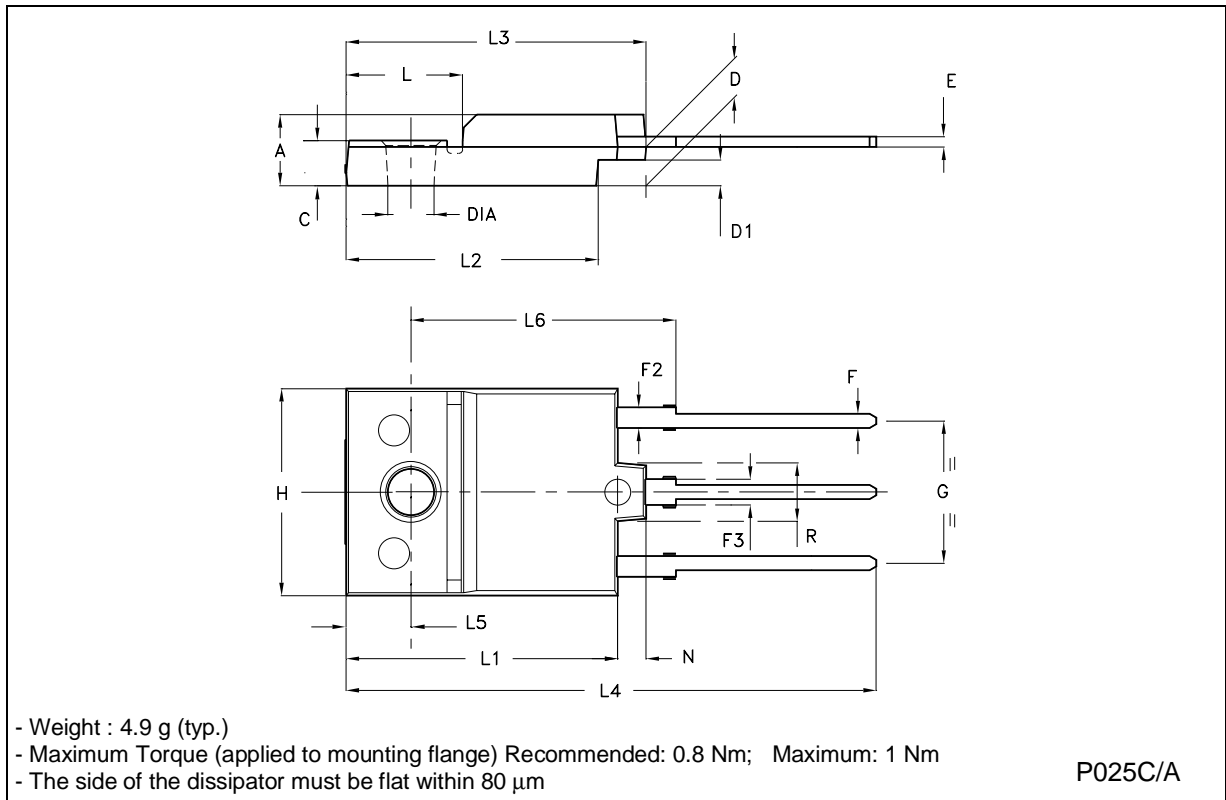
**TO-218 (SOT-93) MECHANICAL DATA**

DIM.	mm			inch		
	MIN.	TYP.	MAX.	MIN.	TYP.	MAX.
A	4.7		4.9	0.185		0.193
C	1.17		1.37	0.046		0.054
D		2.5			0.098	
E	0.5		0.78	0.019		0.030
F	1.1		1.3	0.043		0.051
G	10.8		11.1	0.425		0.437
H	14.7		15.2	0.578		0.598
L2	-		16.2	-		0.637
L3		18			0.708	
L5	3.95		4.15	0.155		0.163
L6		31			1.220	
R	-		12.2	-		0.480
Ø	4		4.1	0.157		0.161



**ISOWATT218 MECHANICAL DATA**

DIM.	mm			inch		
	MIN.	TYP.	MAX.	MIN.	TYP.	MAX.
A	5.35		5.65	0.211		0.222
C	3.30		3.80	0.130		0.150
D	2.90		3.10	0.114		0.122
D1	1.88		2.08	0.074		0.082
E	0.75		0.95	0.030		0.037
F	1.05		1.25	0.041		0.049
F2	1.50		1.70	0.059		0.067
F3	1.90		2.10	0.075		0.083
G	10.80		11.20	0.425		0.441
H	15.80		16.20	0.622		0.638
L		9			0.354	
L1	20.80		21.20	0.819		0.835
L2	19.10		19.90	0.752		0.783
L3	22.80		23.60	0.898		0.929
L4	40.50		42.50	1.594		1.673
L5	4.85		5.25	0.191		0.207
L6	20.25		20.75	0.797		0.817
N	2.1		2.3	0.083		0.091
R		4.6			0.181	
DIA	3.5		3.7	0.138		0.146



Information furnished is believed to be accurate and reliable. However, STMicroelectronics assumes no responsibility for the consequences of use of such information nor for any infringement of patents or other rights of third parties which may result from its use. No license is granted by implication or otherwise under any patent or patent rights of STMicroelectronics. Specification mentioned in this publication are subject to change without notice. This publication supersedes and replaces all information previously supplied. STMicroelectronics products are not authorized for use as critical components in life support devices or systems without express written approval of STMicroelectronics.

The ST logo is a trademark of STMicroelectronics

© 1999 STMicroelectronics – Printed in Italy – All Rights Reserved

STMicroelectronics GROUP OF COMPANIES

Australia - Brazil - China - Finland - France - Germany - Hong Kong - India - Italy - Japan - Malaysia - Malta - Morocco - Singapore - Spain - Sweden - Switzerland - United Kingdom - U.S.A.

<http://www.st.com>