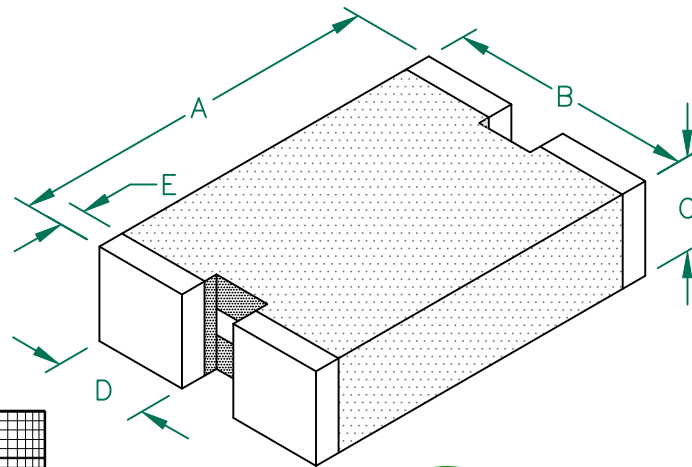


CM3322U610R-10

UNCONTROLLED DOCUMENT

PHYSICAL DIMENSIONS:

A	8.50 [.335]	\pm 0.25 [.010]
B	5.60 [.220]	\pm 0.25 [.010]
C	2.10 [.083]	\pm 0.25 [.010]
D	2.24 [.088]	\pm 0.23 [.009]
E	0.58 [.023]	\pm 0.18 [.007]

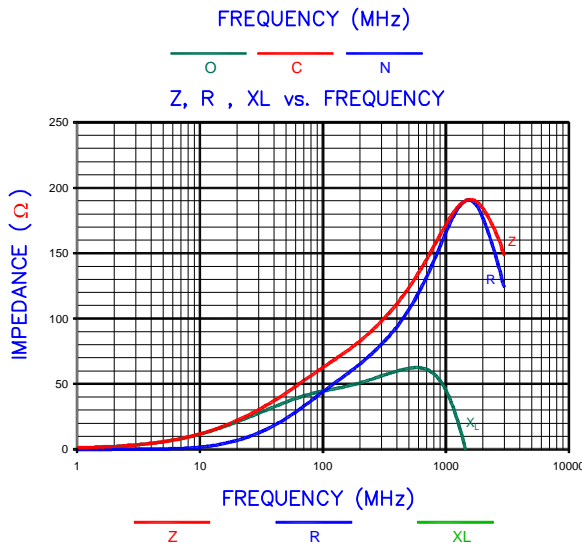
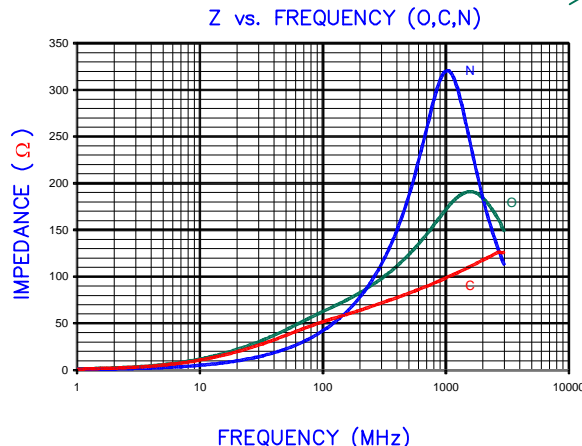


ELECTRICAL CHARACTERISTICS:

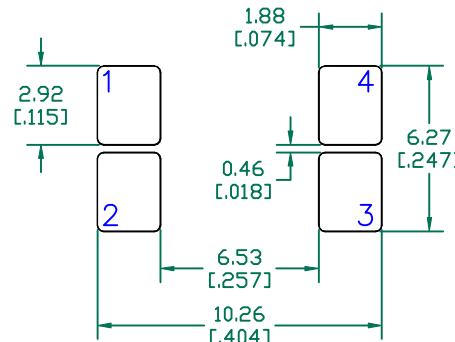
	Z @ 100MHz (Ω)	DCR (Ω)	Rated Current
Nominal	61		
Minimum	45		
Maximum	75	.009	7,000 mA

NOTES: UNLESS OTHERWISE SPECIFIED

1. TERMINATION FINISH IS 100% TIN.
2. TAPED AND REELED per CURRENT EIA SPECIFICATIONS 13" REELS, 2,500 PCS/REEL.
3. U.S. PATENT 6,288,626 SHOULD APPEAR ON THE LABEL OF EACH REEL OF PACKAGED PARTS.
4. COMPONENTS SHOULD BE ADEQUATELY PREHEATED BEFORE SOLDERING.
5. THIS PART HAS NO PIN POLARITY.

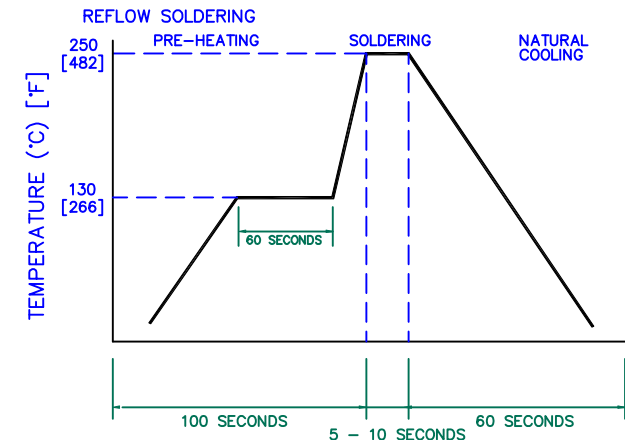


LAND PATTERNS FOR REFLOW SOLDERING



(For wave soldering, add 0.762 [0.030] to this dimension.)

RECOMMENDED SOLDERING CONDITIONS



DIMENSIONS ARE IN mm [INCHES].

THIS DOCUMENT CONTAINS INFORMATION WHICH IS PROPRIETARY AND CONFIDENTIAL TO STEWARD. NO PRODUCTION OR PUBLICATION OF THIS DOCUMENT IN WHOLE OR IN PART SHALL BE MADE WITHOUT WRITTEN AUTHORIZATION FROM STEWARD.

Steward

REV	DESCRIPTION	DATE	INT	CAD #	DATE	INT	PROJECT/PART NUMBER:	REV	PART TYPE:	DRAWN BY:
E	CHG DCR, IMPEDANCE MIN/MAX AND DCR ADD NOTE 5 AND NUMBERS TO LANDPATTERN	05/11/04	JRK				CM3322U610R-10	E	CO-FIRE	BAC
D	REVISE ZRX AND OCN CURVE	04/03/03	JRK							
C	REVISE LANDPATTERN DIMS, ADD C,N CURVE	11/25/02	JRK							
B	REVISE PATENT # TO 6,288,626	09/14/01	JRK							
A	ORIGINAL DRAFT	01/12/01	BAC							