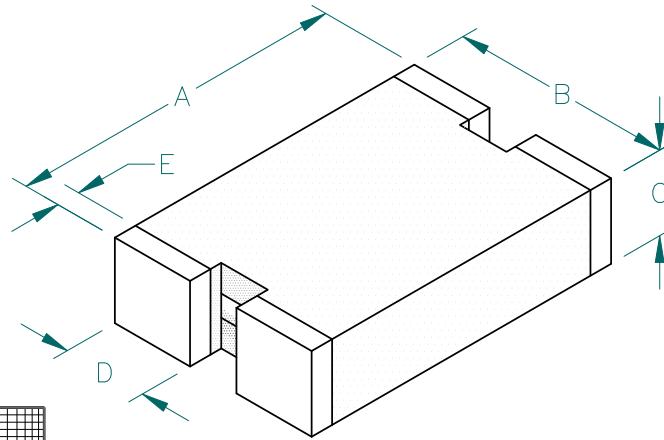


UNCONTROLLED DOCUMENT

CM3322P400R-10

PHYSICAL DIMENSIONS:

| | | |
|---|-------------|-------------------|
| A | 8.50 [.335] | \pm 0.25 [.010] |
| B | 5.60 [.220] | \pm 0.25 [.010] |
| C | 2.10 [.083] | \pm 0.25 [.010] |
| D | 2.24 [.088] | \pm 0.23 [.009] |
| E | 0.58 [.023] | \pm 0.18 [.007] |

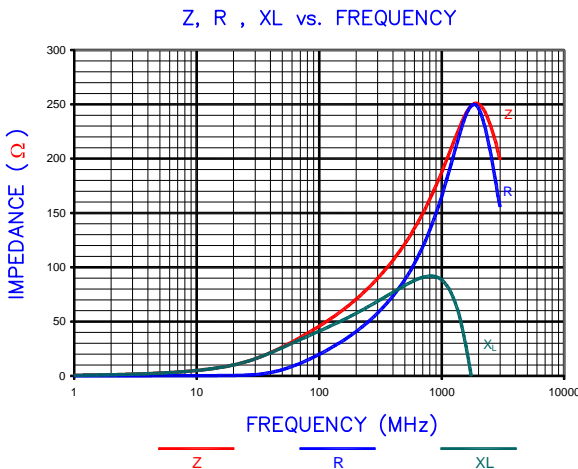
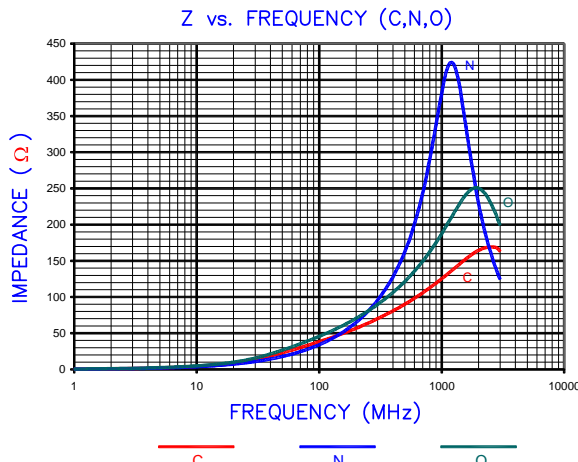


ELECTRICAL CHARACTERISTICS:

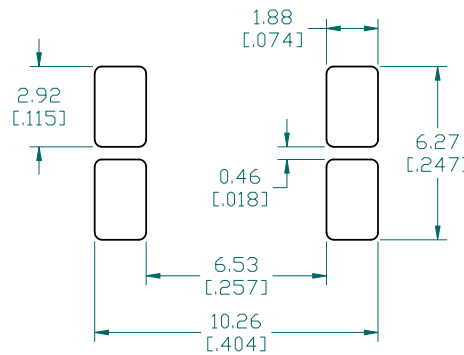
| Z @ 100MHz (Ω) | DCR (Ω) | Rated Current |
|----------------------------|---------------------|---------------|
| Nominal | 40 | |
| Minimum | 30 | |
| Maximum | 50 | 4,000 mA |

NOTES: UNLESS OTHERWISE SPECIFIED

1. TAPED AND REELED per CURRENT EIA SPECIFICATIONS 13" REELS, 2500 PCS/REEL.
2. TERMINATION FINISH IS 100% TIN.
3. COMPONENTS SHOULD BE ADEQUATELY PREHEATED BEFORE SOLDERING.
4. U.S. PATENT 6,288,626 SHOULD APPEAR ON THE LABEL OF EACH REEL OF PACKAGED PARTS.

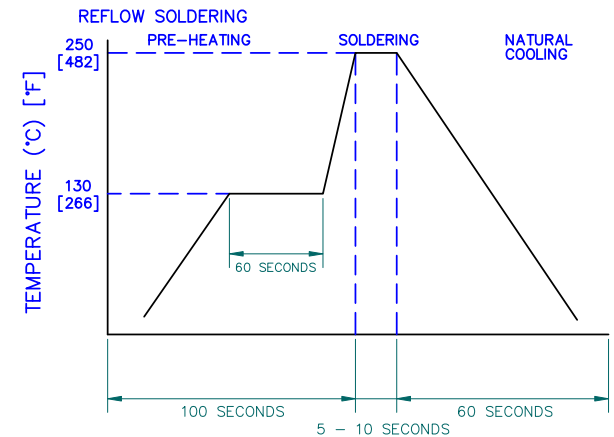


LAND PATTERNS FOR REFLOW SOLDERING



(For wave soldering, add 0.762 [0.030] to this dimension.)

RECOMMENDED SOLDERING CONDITIONS



DIMENSIONS ARE IN mm [INCHES].

THIS DOCUMENT CONTAINS INFORMATION WHICH IS PROPRIETARY AND CONFIDENTIAL TO STEWARD. NO PRODUCTION OR PUBLICATION OF THIS DOCUMENT IN WHOLE OR IN PART SHALL BE MADE WITHOUT WRITTEN AUTHORIZATION FROM STEWARD.

Steward

| | | | |
|---|----------------------|------------------------------|-------------------------|
| PROJECT/PART NUMBER: CM3322P400R-10 | REV A | PART TYPE: CO-FIRE | DRAWN BY: TMB |
| DATE: 03/29/04 | SCALE: NTS | SHEET: 2 of 2 | |
| CAD # CM3322P400R-10-A | TOOL # N/A | | |

| REV | DESCRIPTION | DATE | INT |
|-----|----------------|----------|-----|
| A | ORIGINAL DRAFT | 03/29/04 | TMB |