



Wireless receiver  
 RF Rx SW922-4S 24VDC  
 Material number: 1423277

Features/Options:

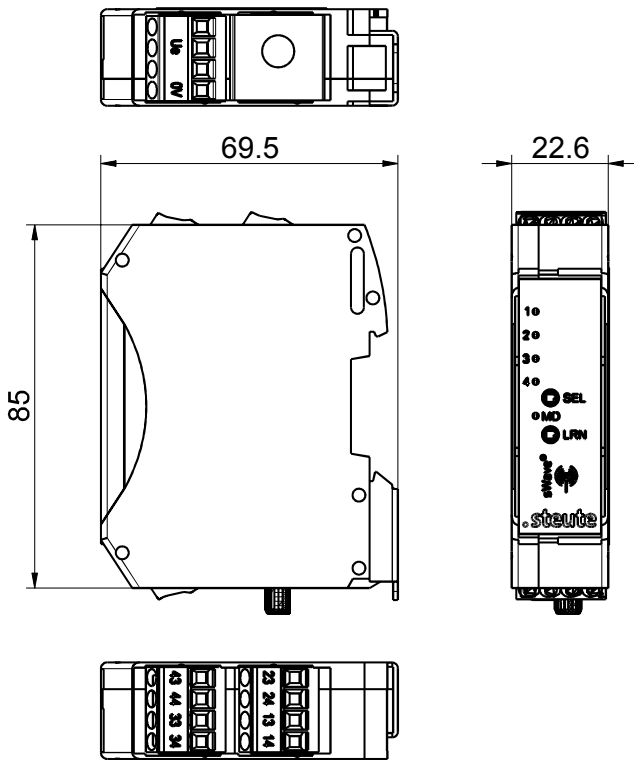
- sWave® wireless technology
- 4 potential-free relay outputs
- 4 NO contacts, max. 3 A

Notes

- External antenna always required for optimum wireless range

- Transmitter/receiver assignment by teaching mode
- LEDs for indication of switching state
- SMA plug-in connector for external antenna

Dimensions



Technical data

Applied standards	EN 60947-5-1; EN 61000-6-2, -6-3, -4-2, -4-20, EN 61000-4-4, -4-5, -4-6; EN 60068-2-6, EN 60068-2-27; EN 301 489-1; EN 301 489-3; EN 300 220-1; EN 300 220-2
Number of channels	4
Mounting	DIN rail mounting
Connection	screw connection terminals 0.14 mm <sup>2</sup> - 2,5 mm <sup>2</sup> , stripping length 8 mm
Degree of protection	IP 20 to IEC/EN 60529
Inputs	4 wireless channels, max. 40 transmitters
Outputs	4 NO contacts (relay)
Rated operating current/voltage I <sub>e</sub> /U <sub>e</sub>	max. 0.1 A/24 VDC -15 % ... +10 %; output contacts: 3 A/250 VAC; 3 A/24 VDC
Utilisation category	AC-15; DC-13
Rated operating isolation voltage U <sub>i</sub>	250 VAC
Rated impulse withstand voltage U <sub>imp</sub>	2.5 kV
Frequency	916.5 MHz (Japan)
Channel bandwidth	520 kHz
Display	green LED: ready for operation, orange LED: signalling of switching state
Operation cycles	max. 1440 telegrams with repetitions/h
Degree of pollution	2
Ambient temperature	0 °C ... +55 °C

Errors and omissions excepted.



Wireless receiver  
RF Rx SW922-4S 24VDC  
Material number: 1423277

## Technical data

Storage and shipping  
temperature

-25 °C ... +85 °C

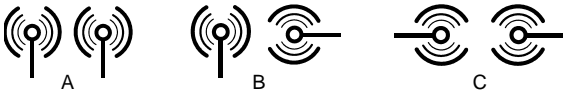
Note

Inductive loads (contactors, relays etc.) are to be suppressed by suitable circuitry. Switching contacts are not suitable for capacitive loads.

Wireless approvals

Japan:  ARIB STD-T108:  
204-610002

## Arrangement of receiver and switch antenna



A = Optimum mounting  
B = Possible mounting  
C = Unsuitable mounting

Note  
Magnetic base antennae must be mounted on a metal plate of min. 250 x 250 mm size.