

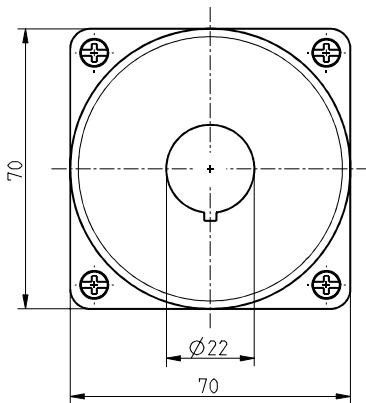
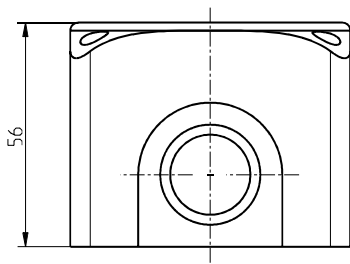


Wireless command device Enclosure RF BF 74-1 Material number: 1328060

Features/Options:

- Enclosure for 1 actuator
- Different actuating elements like push-buttons, selector- or key switches available

Dimensions



Technical data

Enclosure	Polycarbonate
Mounting position	any
Tightening torque	cover screws: approx. 1.6 Nm
Ambient temperature	-25 °C ... +70 °C
Storage and shipping temperature	-40 °C ... +85 °C