



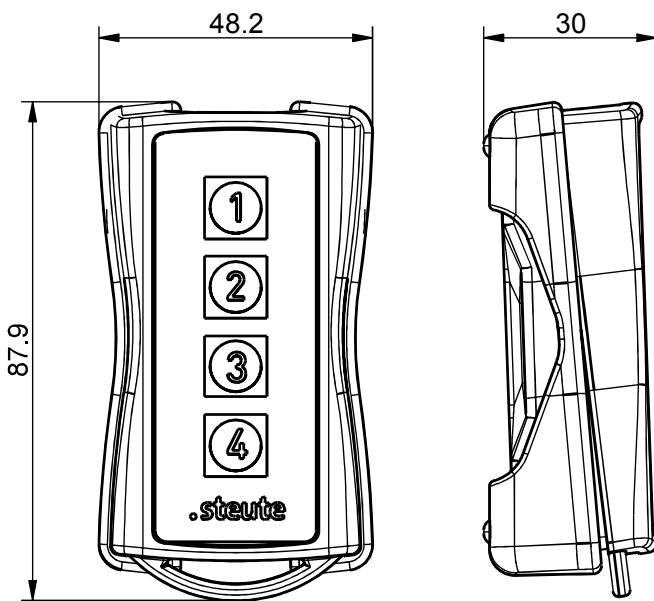
Wireless hand control RF HB SW915-4CH Material number: 1316916

Features/Options:

- Thermoplastic enclosure
- sWave® wireless technology
- Keypad with four function keys
- Surrounding sealing (shock protection)

- With lanyard/keychain mounting
- Power supply by Lithium battery
- Easy programming of receiver
- Output signal can be individually configured at the receiver

Dimensions



Technical data

| | |
|----------------------------------|---|
| Applied standards | EN 60947-5-1; EN 61000-6-2, -6-3; EN 61000-4-2, -4-20; EN 301 489-1; EN 301 489-3; EN 300 220-1; EN 300 220-2 |
| Enclosure | ABS, graphite grey, similar to RAL 7024 |
| Decor seal | TPE, signal red, similar to RAL 3001 |
| Degree of protection | IP 54 to IEC/EN 60529 |
| Protocol | sWave® |
| Ambient temperature | -20 °C ... +65 °C |
| Storage and shipping temperature | -40 °C ... +85 °C |
| Operation cycles | approx. 12000 telegrams with repetitions/h |
| Voltage supply | Lithium battery CR 2032 (replaceable) |
| Nominal capacity | 230 mAh |
| Frequency | 915 MHz (USA, Canada and Mexico) |
| Transmission power | < 25 mW |
| Data rate | 66 kbps |
| Channel bandwidth | 550 kHz |
| Wireless range | max. 450 m outside, max. 40 m inside |
| Mechanical life | > 1 million operations |
| Battery life | > 800 000 operations |
| Actuating time | min. 80 ms |
| Note | Transmission of battery voltage and switching condition |

Errors and omissions excepted.



Wireless hand control
RF HB SW915-4CH
Material number: 1316916

Technical data

Wireless approvals

USA: FCC Part 15.247: XK5-RF
Rx SW915;
Canada: IC RSS-210: 5158A-RF
Rx SW 915;
Mexico: IFT - RCPSTRF17-1886