

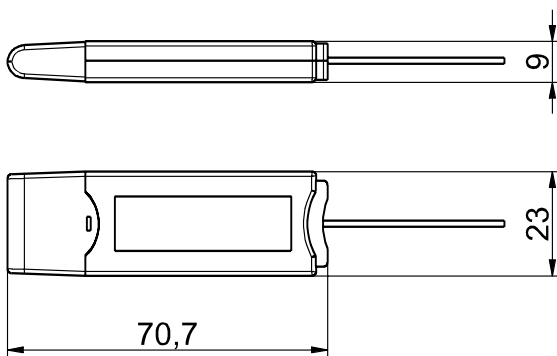


Wireless receiver / repeater RF RxT SW915-USB Material number: 1278205

Features/Options:

- Different operating modes
- USB-Standard Receiver Mode
- USB Gateway Mode
- Sniffer Mode
- Repeater (1-Level and 2-Level Repeater Mode)
- Virtual COM Port driver for Microsoft Windows, Linux, Apple Mac

Dimensions



Technical data

Applied standards	EN 60947-5-1; EN 61000-6-2, -6-3, EN 61000-4-2, -4-20, -4-4, -4-6; EN 301 489-1; EN 301 489-3; EN 300 220-1; EN 300 220-2
Connection	USB 2.0
Degree of protection	IP 30 to IEC/EN 60529
Receiver mode	40 sWave transmitters
Gateway mode	indefinite number of transmitters
Voltage supply	via USB interface
Rated operating current/ voltage I_e/U_e	< 60 mA / 5 VDC (USB interface)
Frequency	915 MHz (USA, Canada and Mexico)
Channel bandwidth	550 kHz
Display	green LED: ready for operation, orange LED: signalling of switching state
Operation cycles	approx. 12000 telegrams with repetitions/h
Ambient temperature	0 °C ... +55 °C
Note	no external antenna required
Wireless approvals	USA: FCC Part 15.247: XK5-RF Rx SW915; Canada: IC RSS-210: 5158A-RF Rx SW 915; Mexico: IFT - RCPSTRF17-1886