



Wireless receiver

RF Rx SW915-4W 24 VAC/DC

Material number: 1189618 (Material number old: 90590022)

Features/Options:

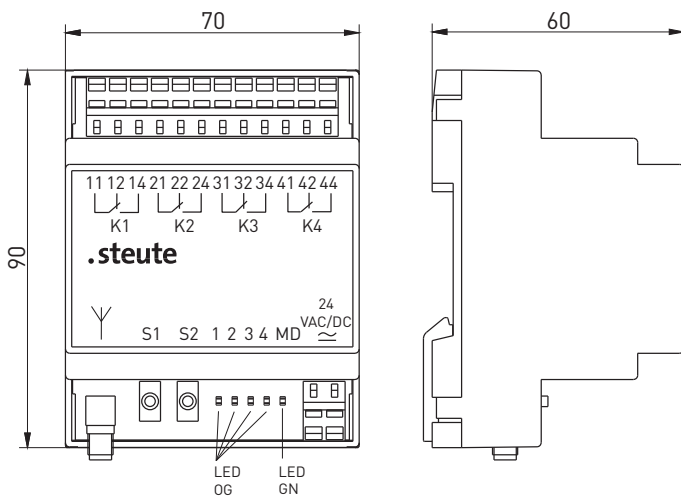
- sWave® wireless technology
- 4 potential-free relay outputs
- 4 change-over contacts

- Transmitter/receiver assignment by teaching mode
- LEDs for indication of switching state
- SMA reverse plug-in connector for external antenna

Notes

- External antenna always required for optimum wireless range

Dimensions



Technical data

| | |
|---|---|
| Applied standards | EN 60947-5-1; EN 61000-6-2, -6-3, -4-2, -4-20, EN 61000-4-4, -4-5, -4-6; EN 60068-2-6, EN 60068-2-27; EN 301 489-1; EN 301 489-3; EN 300 220-1; EN 300 220-2 |
| Number of channels | 4 |
| Mounting | DIN rail mounting |
| Connection | terminals with CAGE CLAMP WAGO Series 236: 0.08 ... 2.5 mm ² / AWG 28-12, AWG 12: THHN, THWN, stripping length 5 ... 6 mm / 0.22 in |
| Degree of protection | IP 20 to IEC/EN 60529 |
| Inputs | 4 wireless channels, max. 10 transmitters per channel |
| Outputs | 4 change-over contacts (relays) |
| Rated operating current/ voltage I_e/U_e | max. 0.1 A/24 VDC -15 % ... +10 %; max. 0.25 A/24 VAC -15 % ... +10 %; output contacts: 6 A/250 VAC; 2 A/24 VDC |
| Utilisation category | AC-15; DC-13 |
| Rated operating isolation voltage U_i | 250 VAC |
| Rated impulse withstand voltage U_{imp} | 2.5 kV |
| Frequency | 915 MHz (USA, Canada and Mexico) |
| Channel bandwidth | 550 kHz |
| Display | green LED: ready for operation, orange LED: signalling of switching state |
| Operation cycles | approx. 12000 telegrams with repetitions/h |

Errors and omissions excepted.




Wireless receiver

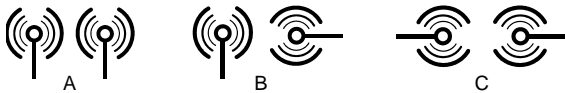
RF Rx SW915-4W 24 VAC/DC

Material number: 1189618 (Material number old: 90590022)

Technical data

| | |
|----------------------------------|---|
| Degree of pollution | 2 |
| Ambient temperature | 0 °C ... +55 °C |
| Storage and shipping temperature | -25 °C ... +85 °C |
| Note | Inductive loads (contactors, relays etc.) are to be suppressed by suitable circuitry. |
| Wireless approvals | USA: FCC Part 15.247: XK5-RF Rx SW915; Canada: IC RSS-210: 5158A-RF Rx SW 915; Mexico: IFT - RCPSTRF17-1886 |
| |  |
| Weight | 155 g |

Arrangement of receiver and switch antenna



- A = Optimum mounting
- B = Possible mounting
- C = Unsuitable mounting

Note
Magnetic base antennae must be mounted on a metal plate of min. 250 x 250 mm size.