



## Emergency pull-wire switch ZS 71 2Ö/1S WVD-A / 100 N

Material number: 1182987 (Material number old: 71942902)

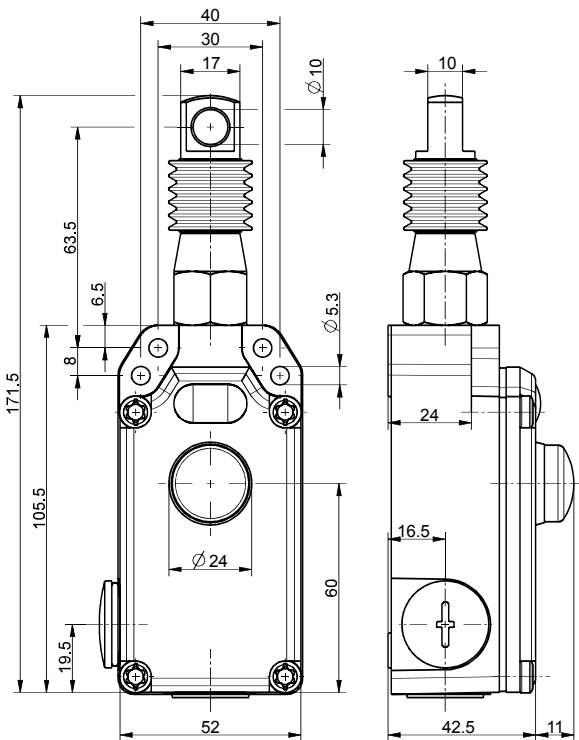
### Features/Options:

- Metal enclosure
- 3 contacts
- Small design
- Wire length up to 35 m
- Spring force variant: 100 N
- Release by push-button (VD)
- Wire pull and breakage detection
- Watertight collar W for protection against penetration of dirt
- Position indicator A

### Notes

- At 3 m distance intermediate wire supports are required. One wire thimble is provided.

### Dimensions



### Technical data

Applied standards	EN 60947-5-1, -5; EN ISO 13850; EN ISO 13849-1
Enclosure	aluminium die-cast, powder-coated
Cover	glass-fibre reinforced, shock-proof thermoplastic, self-extinguishing UL 94 V-0
Degree of protection	IP 65 to IEC/EN 60529
Contact material	silver
Switching system	snap action, positive break NC contacts ⊖
Switching elements	2 NC/1 NO contact, type Zb
Connection	screw connection terminals
Cable cross-section	max. 2.5 mm <sup>2</sup> (incl. conductor ferrules)
Cable entry	2 x M20 x 1.5
B <sub>10d</sub> (10 % load)	200 000
T <sub>M</sub>	max. 20 years
Rated impulse withstand voltage U <sub>imp</sub>	6 kV
Rated operating isolation voltage U <sub>i</sub>	400 V
Conventional thermal current I <sub>the</sub>	2 A
Utilisation category	AC-15
Rated operating current/voltage I <sub>e</sub> /U <sub>e</sub>	2 A/250 VAC
Short-circuit protection	2 A gG/gN fuse
Ambient temperature	-25 °C ... +70 °C

Errors and omissions excepted.



## Emergency pull-wire switch ZS 71 2Ö/1S WVD-A / 100 N

Material number: 1182987 (Material number old: 71942902)

### Technical data

Mechanical life > 100 000 operations

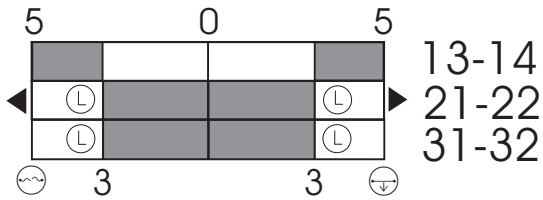
Max. wire length 35 m

Approvals



Weight 368 g

### Switching diagram



### Contact diagram

