



Emergency pull-wire switch ZS 80 2Ö/2S WVD

Material number: 1177916 (Material number old: 72942501)

Features/Options:

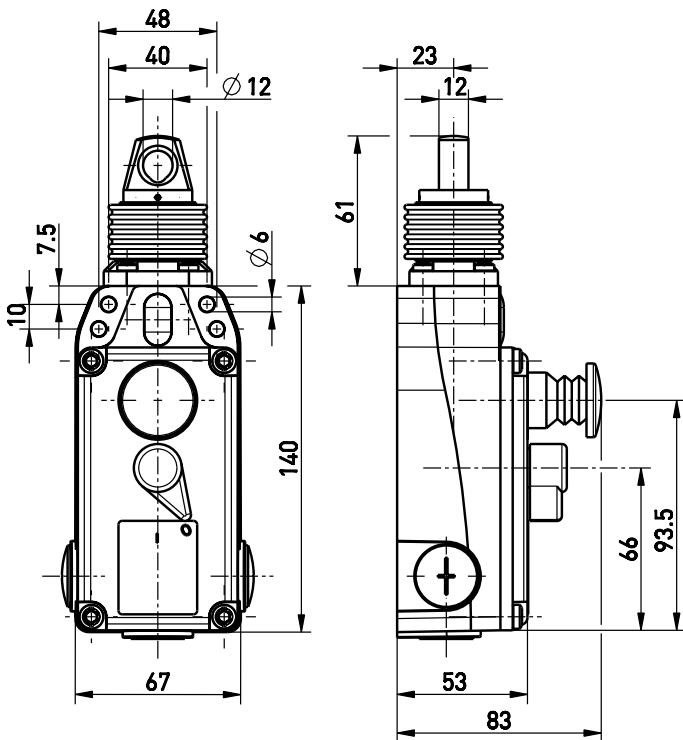
- Metal enclosure
- 4 contacts
- Position indicator and integrated emergency-stop push-button
- Wire length up to 100 m

- Spring force variant: 100 N
- Lever for release and position indication
- Watertight collar
- Wire pull and breakage detection

Notes

- At 5 m distance intermediate wire supports are required. One wire thimble is provided.

Dimensions



Technical data

| | |
|--|---|
| Applied standards | EN 60947-5-1, -5; EN ISO 13850; EN ISO 13849-1 |
| Enclosure | aluminium die-cast, powder-coated |
| Cover | glass-fibre reinforced, shock-proof thermoplastic, self-extinguishing UL 94 V-0 |
| Degree of protection | IP 67 to IEC/EN 60529 |
| Contact material | silver |
| Switching elements | 2 NC/2 NO contacts, type Zb |
| Switching system | slow action, positive break NC contacts \ominus |
| Connection | 2 x 4 pole terminal block |
| Cable entry | 3 x M20 x 1.5 |
| Cable cross-section | max. 2.5 mm ² (incl. conductor ferrules) |
| B _{10d} (10 % load) | 200 000 |
| T _M | max. 20 years |
| Rated impulse withstand voltage U _{imp} | 2.5 kV |
| Rated operating isolation voltage U _i | 250 V |
| Conventional thermal current I _{the} | 2 A |
| Utilisation category | AC-15; DC-13 |
| Rated operating current/voltage I _e /U _e | 2 A/250 VAC; 0.25 A/230 VDC; 2 A/24 VDC |
| Short-circuit protection | 2 A gG/gN fuse |
| Ambient temperature | -25 °C ... +70 °C |

Errors and omissions excepted.



Emergency pull-wire switch ZS 80 2Ö/2S WVD

Material number: 1177916 (Material number old: 72942501)

Technical data

Mechanical life > 100 000 operations

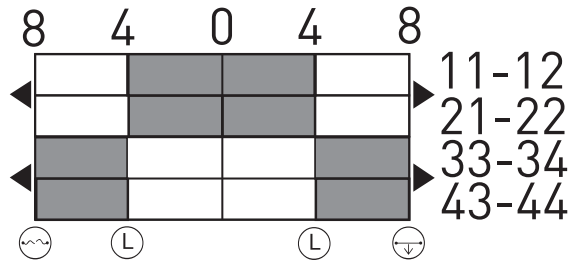
Max. wire length 100 m

Approvals



Weight 712 g

Switching diagram



Contact diagram

