



## Emergency pull-wire switch ZS 75 S 2Ö/2S VD

Material number: 1159425 (Material number old: 75430503)

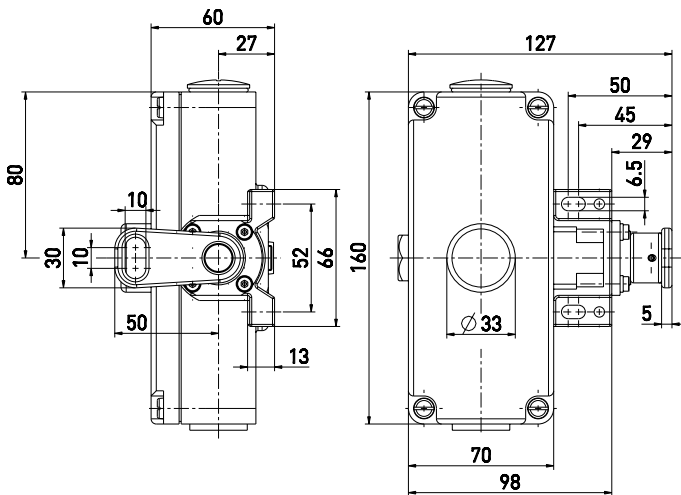
### Features/Options:

- Metal enclosure
- 4 contacts
- Wire length up to 2 x 100 m
- Release by push-button (VD)
- Wire pull and breakage detection

### Notes

- At 4 m distance intermediate wire supports are required. Two compensation springs type ZS 73/75 S must be installed, see accessories.

### Dimensions



### Technical data

Applied standards	EN 60947-5-1, -5; EN ISO 13850; EN ISO 13849-1
Enclosure	aluminium die-cast, powder-coated
Cover	aluminium die-cast, powder-coated
Degree of protection	IP 65 to IEC/EN 60529
Contact material	silver
Switching elements	2 NC/2 NO contacts, type Zb
Switching system	snap action, positive break NC contacts ⊖
Connection	screw connection terminals
Cable cross-section	max. 2.5 mm <sup>2</sup> (incl. conductor ferrules)
Cable entry	2 x M25 x 1.5
B <sub>10d</sub> (10 % load)	200 000
T <sub>M</sub>	max. 20 years
Rated impulse withstand voltage U <sub>imp</sub>	6 kV
Rated operating isolation voltage U <sub>i</sub>	400 V
Conventional thermal current I <sub>the</sub>	6 A
Utilisation category	AC-15
Rated operating current/voltage I <sub>e</sub> /U <sub>e</sub>	6 A/400 VAC
Short-circuit protection	6 A gG/gN fuse
Ambient temperature	-25 °C ... +70 °C
Mechanical life	> 100 000 operations

Errors and omissions excepted.



## Emergency pull-wire switch ZS 75 S 2Ö/2S VD

Material number: 1159425 (Material number old: 75430503)

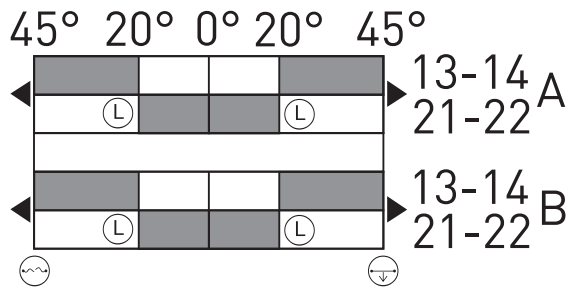
### Technical data

Max. wire length 2 x 100 m

Approvals    

Weight 1000 g

### Switching diagram



### Contact diagram

