



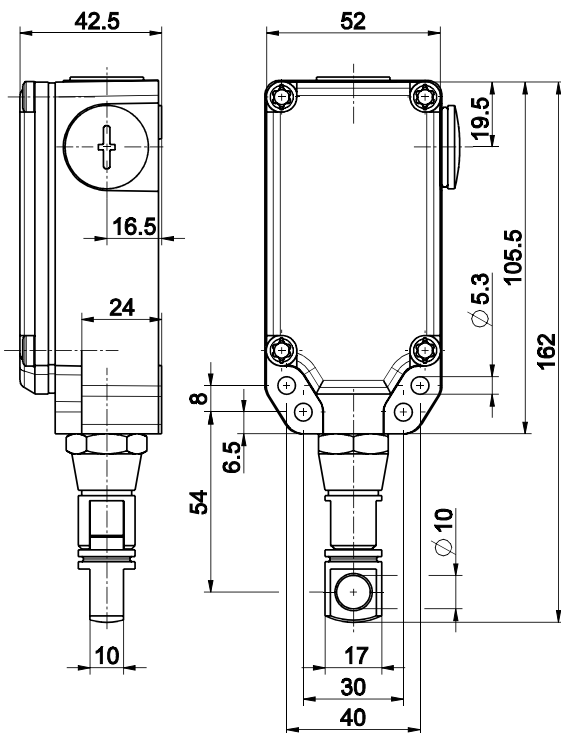
Pull-wire switch ZS 71 Z 1Ö/1S RE

Material number: 1052373 (Material number old: 71041901)

Features/Options:

- Metal enclosure
- Wall mounting
- Slow action: 2 contacts
- Pull-wire function with latching

Dimensions



Technical data

Applied standards	EN 60947-5-1
Enclosure	aluminium die-cast, powder-coated
Cover	glass-fibre reinforced, shock-proof thermoplastic, self-extinguishing UL 94 V-0
Degree of protection	IP 65 to IEC/EN 60529
Contact material	silver
Switching elements	1 NC/1 NO contact, type Zb
Switching system	slow action, positive break NC contacts ⊖
Connection	screw connection terminals
Cable cross-section	max. 2.5 mm ² (incl. conductor ferrules)
Cable entry	2 x M20 x 1.5
Rated impulse withstand voltage U_{imp}	4 kV
Rated operating isolation voltage U_i	400 V
Conventional thermal current I_{the}	4 A
Utilisation category	AC-15
Rated operating current/voltage I_e/U_e	4 A/400 VAC
Short-circuit protection	4 A gG/gN fuse
Ambient temperature	-25 °C ... +70 °C
Mechanical life	> 1 million operations
Actuating force	max. 100 N
Approvals	
Weight	387 g

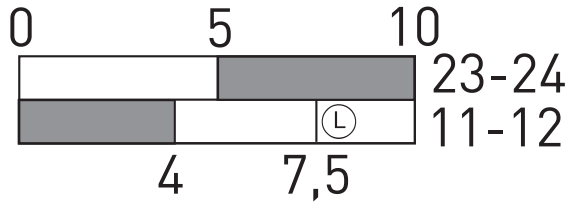
Errors and omissions excepted.



Pull-wire switch
ZS 71 Z 1Ö/1S RE

Material number: 1052373 (Material number old: 71041901)

Switching diagram



Contact diagram

