



Position switch

ES 95 W 2S

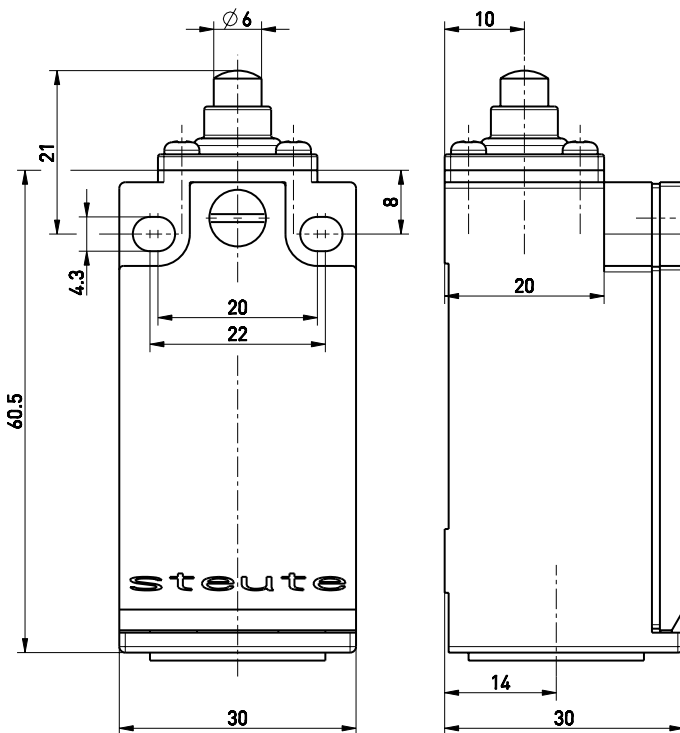
Material number: 1050460 (Material number old: 95602001)

Features/Options:

- Thermoplastic enclosure
- Design to EN 50047
- Horizontally slotted mounting holes
- Double insulated
- Slow action, 2 NO contacts with double break

- Good resistance to oil and petroleum spirit
- Actuator: Plunger with collar W
- Actuator type B to EN 50047
- Watertight collar for protection against penetration of dirt

Dimensions



Technical data

Applied standards	EN 60947-5-1
Enclosure	glass-fibre reinforced, shock-proof thermoplastic, self-extinguishing UL 94 V-0
Tightening torque	enclosure mounting screws: 1.2 ... 1.3 Nm cover screws: max. 0.7 Nm
Degree of protection	IP 67 to IEC/EN 60529
Contact material	silver
Switching system	slow action
Switching elements	2 NO contacts, type Zb
Connection	screw connection terminals
Cable cross-section	max. 2.5 mm ² (incl. conductor ferrules)
Cable entry	1 x M20 x 1.5
Rated impulse withstand voltage U_{imp}	4 kV
Rated operating isolation voltage U_i	400 V
Conventional thermal current I_{the}	6 A
Utilisation category	AC-15; DC-13
Rated operating current/voltage I_g/U_g	6 A/400 VAC; 0.25 A/230 VDC; 4 A/24 VDC
Short-circuit protection	6 A gG/gN fuse
Mechanical life	> 1 million operations
Operation cycles	max. 1800/h
Ambient temperature	-20 °C ... +80 °C
Contact opening	max. 2 x 3.5 mm

Approvals



Errors and omissions excepted.



Position switch

ES 95 W 2S

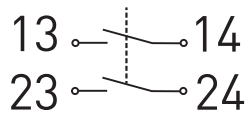
Material number: 1050460 (Material number old: 95602001)

Technical data

Weight

60 g

Contact diagram



Switching diagram

