



Safety switch for hinged guards

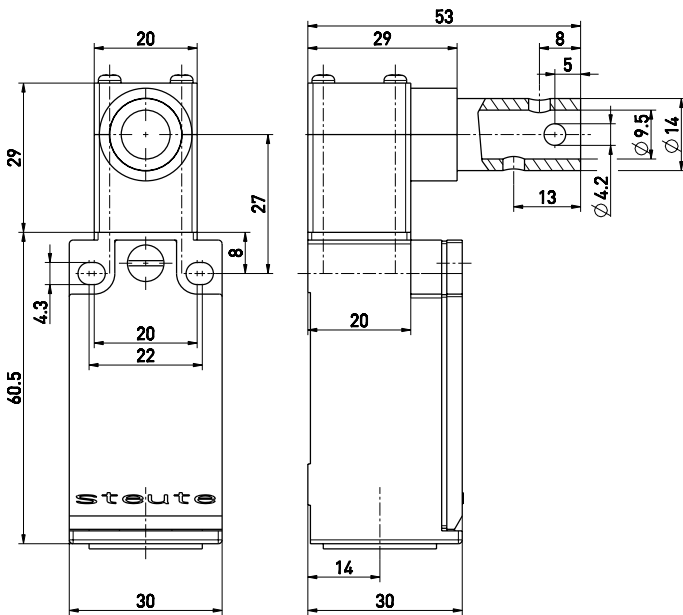
ES 95 SB 2Ö - 9.5 mm

Material number: 1050456 (Material number old: 95554701)

Features/Options:

- Thermoplastic enclosure
- Double insulated
- Slow action \ominus , 2 NC contacts with double break
- Cable entry M20 x 1.5
- Wiring compartment
- Mounting details to EN 50047
- Horizontally slotted mounting holes
- Actuator can be repositioned by 4 x 90°
- Shaft bore \varnothing 9.5 mm
- Actuating shaft can be turned 360°

Dimensions



Technical data

Applied standards	EN 60947-5-1; EN ISO 13849-1; EN ISO 14119; GS-ET-15
Enclosure	glass-fibre reinforced, shock-proof thermoplastic, self-extinguishing UL 94 V-0
Tightening torque	enclosure mounting screws: 1.2 ... 1.3 Nm cover screws: max. 0.7 Nm
Switch type	type 1
Coding level	no coding
Degree of protection	IP 67 to IEC/EN 60529
Contact material	silver
Switching system	slow action, positive break NC contacts \ominus
Switching elements	2 NC contacts, type Zb
Connection	screw connection terminals
Cable cross-section	max. 1.5 mm ² (incl. conductor ferrules)
Cable entry	1 x M20 x 1.5
B _{10d} (10 % load)	2 million
T _M	max. 20 years
Rated impulse withstand voltage U _{imp}	4 kV
Rated operating isolation voltage U _i	400 V
Conventional thermal current I _{the}	6 A
Rated operating current/voltage I _e /U _e	6 A/400 VAC; 0.25 A/230 VDC
Utilisation category	AC-15; DC-13
Short-circuit protection	6 A gG/gN fuse

Errors and omissions excepted.



Safety switch for hinged guards

ES 95 SB 2Ö - 9.5 mm

Material number: 1050456 (Material number old: 95554701)

Technical data

Ambient temperature -20 °C ... +80 °C

Mechanical life > 1 million operations

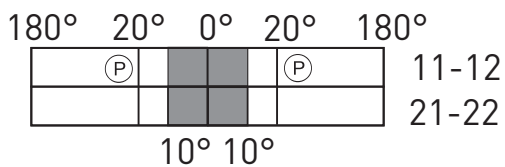
Approvals



Weight

92 g

Switching diagram



Contact diagram

