



Pull-wire switch ZS 71 1Ö/1S / 55 N

Material number: 1048069 (Material number old: 71141001)

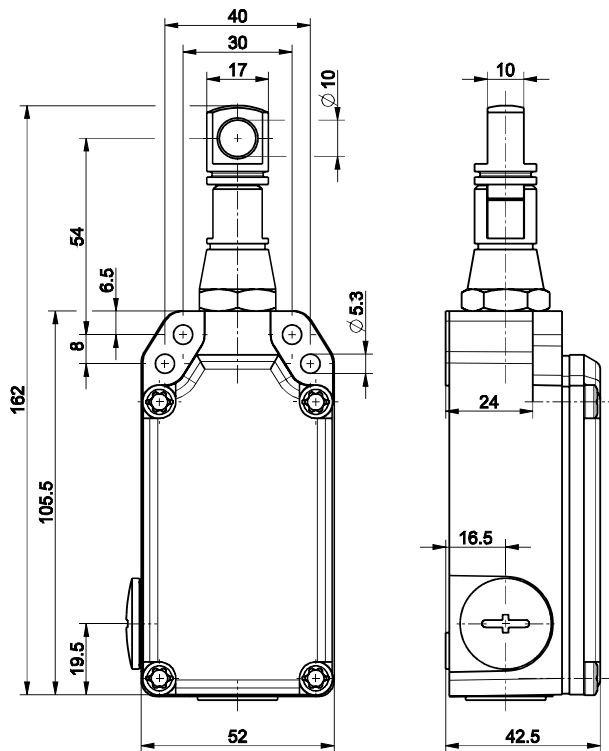
Features/Options:

- Metal enclosure
- 2 contacts
- Small design
- Wire length up to 5 m
- Spring force variant: 55 N
- Wire pull and breakage detection
- Without mechanical latching

Notes

- At 3 m distance intermediate wire supports are required. One wire thimble is provided.

Dimensions



Technical data

Applied standards	EN 60947-5-1; EN ISO 13849-1; GS-ET-15
Enclosure	aluminium die-cast, powder-coated
Cover	glass-fibre reinforced, shock-proof thermoplastic, self-extinguishing UL 94 V-0
Degree of protection	IP 65 to IEC/EN 60529
Contact material	silver
Switching system	snap action, positive break NC contacts ⊖
Switching elements	1 NC/1 NO contact
Connection	screw connection terminals
Cable cross-section	max. 2.5 mm ² (incl. conductor ferrules)
Cable entry	2 x M20 x 1.5
B _{10d} (10 % load)	2 million
T _M	max. 20 years
Rated impulse withstand voltage U _{imp}	6 kV
Rated operating isolation voltage U _i	400 V
Conventional thermal current I _{the}	6 A
Utilisation category	AC-15
Rated operating current/voltage I _e /U _e	6 A/400 VAC
Short-circuit protection	6 A gG/gN fuse
Ambient temperature	-25 °C ... +70 °C

Errors and omissions excepted.



Pull-wire switch ZS 71 1Ö/1S / 55 N

Material number: 1048069 (Material number old: 71141001)

Technical data

Mechanical life > 1 million operations

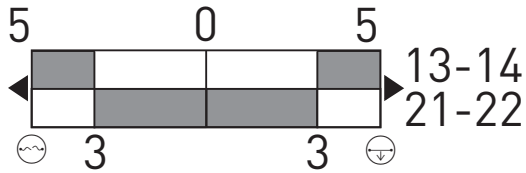
Max. wire length 5 m

Approvals



Weight 334 g

Switching diagram



Contact diagram

