



## Miniature limit switch

### C 500 1Ö/1S

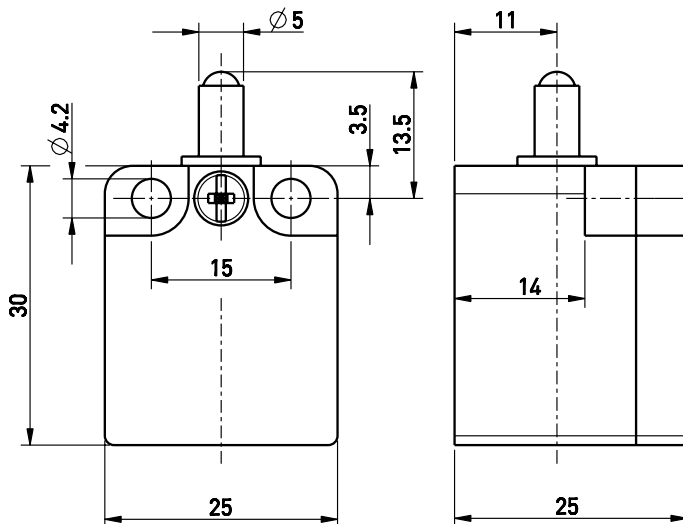
Material number: 1046930 (Material number old: 48001001)

#### Features/Options:

- Thermoplastic enclosure

- Actuator: Plunger

#### Dimensions



#### Technical data

Applied standards	EN ISO 13849-1; EN 60947-5-1
Enclosure	glass-fibre reinforced, shock-proof thermoplastic, self-extinguishing UL 94 V-0
Tightening torque	enclosure mounting screws: approx. 1 Nm cover screws: approx. 0.6 Nm
Actuator	plunger: brass
Degree of protection	IP 30 to IEC/EN 60529
Degree of pollution	3
Contact material	silver
Switching system	slow action, positive break NC contacts $\ominus$
Switching elements	1 NC/1 NO contact, type Zb
Connection	screw connection terminals
Cable cross-section	max. 1.5 mm <sup>2</sup>
B <sub>10d</sub> (10 % load)	70 000
T <sub>M</sub>	max. 20 years
Rated impulse withstand voltage U <sub>imp</sub>	4 kV
Rated operating isolation voltage U <sub>i</sub>	400 V
Conventional thermal current I <sub>the</sub>	4 A
Rated operating current/voltage I <sub>e</sub> /U <sub>e</sub>	4 A/400 VAC
Utilisation category	AC-15
Short-circuit protection	4 A gG/gN fuse
Ambient temperature	-20 °C ... +75 °C
Mechanical life	> 1 million operations
Operation cycles	max. 1800/h
Repeat accuracy of switching points	± 0.1 mm

Errors and omissions excepted.



## Miniature limit switch

C 500 1Ö/1S

Material number: 1046930 (Material number old: 48001001)

### Technical data

Contact opening max. 2 x 4 mm

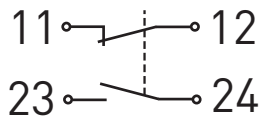
Approvals



Weight

25 g

### Contact diagram



### Switching diagram

