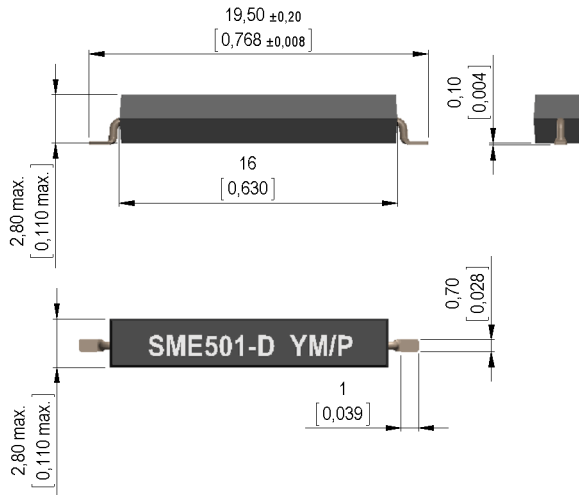


**Dimensions mm[inch]**  
tolerances according to DIN ISO 2768-m  
Toleranzen gem. DIN ISO 2768-m



**Isometric**

Scale: 2:1  
Maßstab 2:1

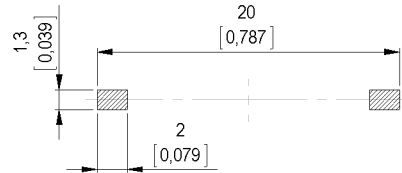


**Marking**

according to EN60062/Factory code  
gem. EN60062/Fertigungsstätte

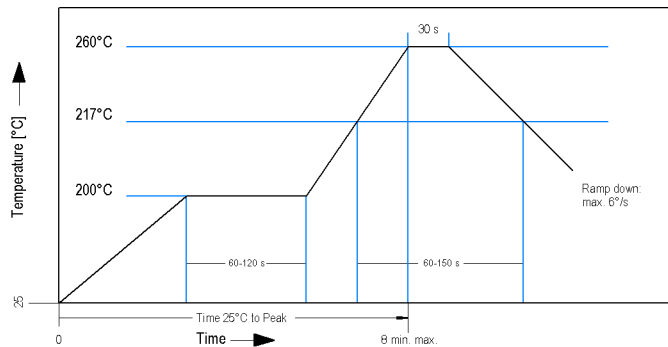


**Recommended PCB Pad Layout**



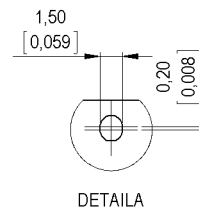
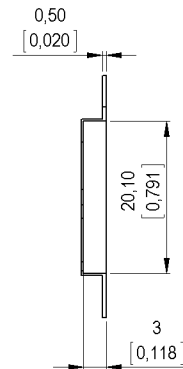
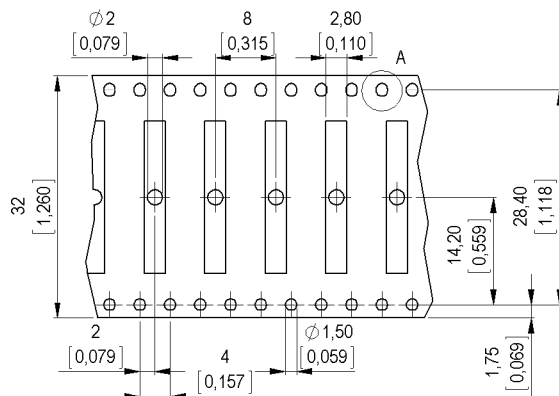
**Solder Reflow Profile**

reflow soldering conditions according to JEDEC norm J-STD-020D.1



**Packaging**

(4001350075)



DETAILA



Europe: +49 / 7731 8399 0

| Email: info@standexmeder.com

Item No.:

USA: +1 / 508 295 0771

| Email: salesusa@standexmeder.com

**9155010024**

Asia: +852 / 2955 1682

| Email: salesasia@standexmeder.com

Item:

**MK15-501-D-2**

Magnetic properties	Conditions	Min	Typ	Max	Unit
Pull-In	at 20°C	37		59	AT
Test equipment		KMS-11 + AP097			
Pull-In in milliTesla (modified conta	MS150 - phys. caused tolerance +/- 0,1mT	2,2		2,8	mT
Test equipment		MS-150			

Contact data 06/2	Conditions	Min	Typ	Max	Unit
Contact-form		A			
Contact-material		PGM-alloy			
Contact rating				10	W
Switching voltage				200	V
Switching current				0,5	A
Carry current				1	A
Contact resistance static				100	mOhm
Insulation resistance		10			GOhm
Breakdown voltage		250			VDC
Operate time incl. bounce				0,5	ms
Release time				0,1	ms
Capacity			0,3		pF

Special Product Data	Conditions	Min	Typ	Max	Unit
Housing material		mineral-filled epoxy			

Environmental data	Conditions	Min	Typ	Max	Unit
Shock	1/2 sine, duration 11ms, in 3 axis			30	g
Vibration	from 10 - 2000 Hz			20	g
Ambient temperature		-40		125	°C
Storage temperature		-50		155	°C
Cleaning		fully sealed			

Modifications in the sense of technical progress are reserved

Designed at: 18.06.13 Designed by: WKOVACS

Approval at: 02.07.13 Approval by: AWEBER

Last Change at: 14.10.14 Last Change by: WKOVACS

Approval at: 20.10.14 Approval by: AWEBER

Version: 04