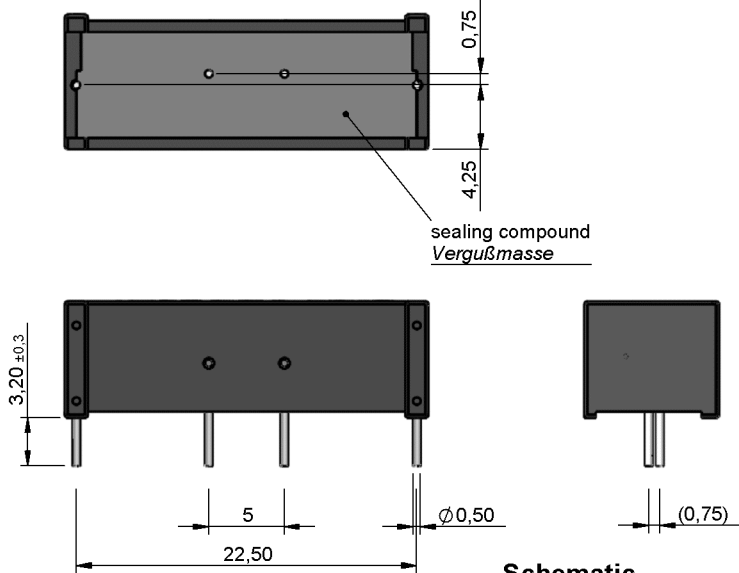


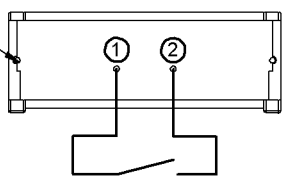
**Preliminary Datasheet**

**Dimensions mm[inch]**  
 tolerances acc. to DIN ISO 2768-m  
 Toleranzen gem. DIN ISO 2768-m

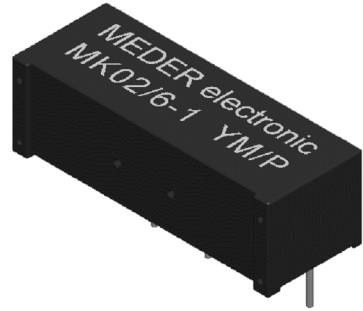


**Schematic**

2 pins not connected  
 2 Pins nicht kontaktiert



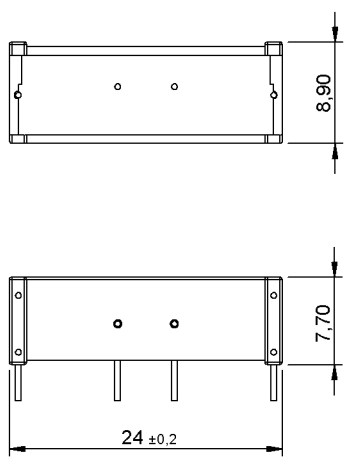
**Isometric**  
 Scale 1:2  
 Maßstab 1:2



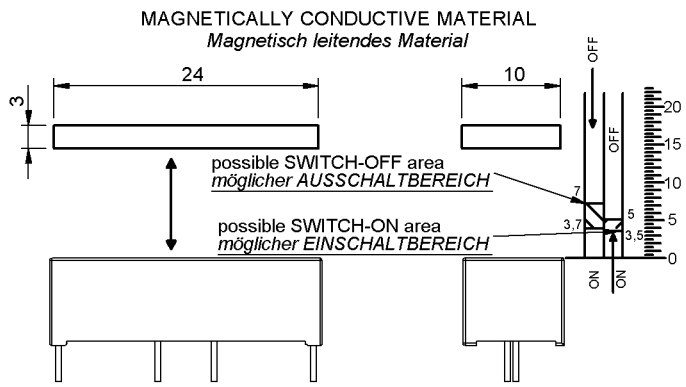
**Marking**  
 according to EN60062/factory code  
 gem. EN60062/Fertigungsstätte



**Housing**



**Switching distances**





Europe: +49 / 7731 8399 0 | Email: info@meder.com  
 USA: +1 / 508 295 0771 | Email: salesusa@meder.com  
 Asia: +852 / 2955 1682 | Email: salesasia@meder.com

Item No.:  
**2226000000**  
 Item:  
**MK02/6-1**

*Products for tomorrow...*

### Preliminary Datasheet

Magnetic properties	Conditions	Min	Typ	Max	Unit
Pull in	at 20°C	3,5		5,5	mm
Drop out	at 20°C	3,7		7	mm
Test equipment		SV 041			

Special Product Data	Conditions	Min	Typ	Max	Unit
Contact - form		A - NO			
Contact rating	Any DC combination of V & A not to exceed their individual max.'s			10	W
operating voltage	DC or Peak AC			170	V
operating ampere	DC or Peak AC			0,5	A
Switching current	DC or Peak AC			0,5	A
Housing material		PBT 30% glass fibre reinforced			
Case color		black			
Sealing compound		Polyurethan			

Environmental data	Conditions	Min	Typ	Max	Unit
Ambient temperature		-20		80	°C
Storage temperature		-20		80	°C