

Dimensions mm[inch]
tolerances acc. to DIN ISO 2768-m
Toleranzen gem. DIN ISO 2768-m

Isometric
Scale 1:2
Maßstab 1:2

Terminals/ Connector

ends tinned
Enden verzinkt

Cable

UL/cUL-LIYY AWG26, grey, Style 2464
colour of wires: white and brown
UL/cUL-LIYY AWG26, grau, Style 2464
Aderfarben: weiss und braun

Nut

M10, DIN 439 B, stainless steel, ws 17
M10, DIN 439 B, Edelstahl, SW 17

O-ring

NBR, black
NBR, schwarz

Stem

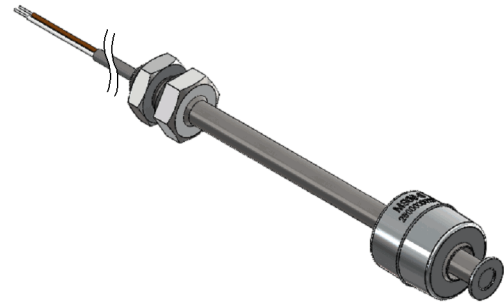
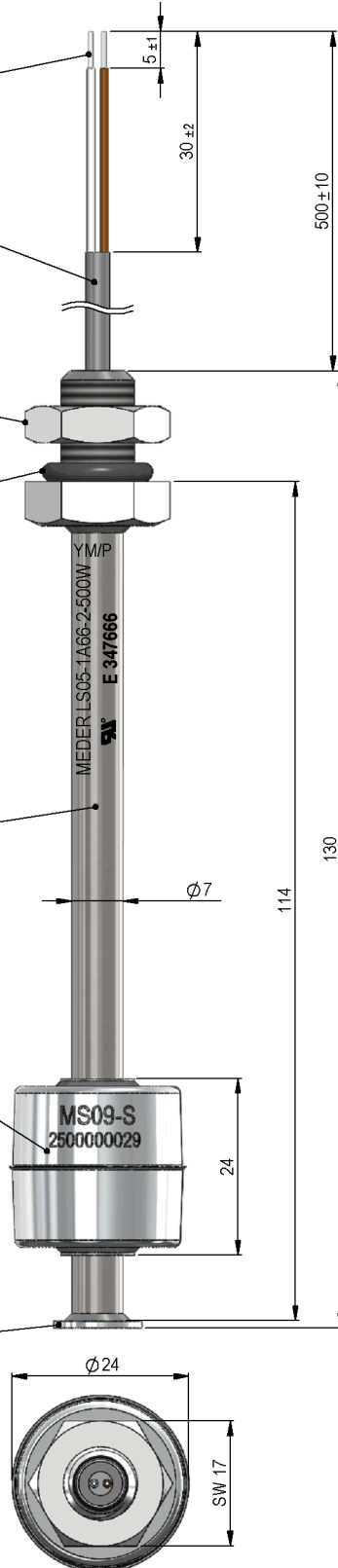
stainless steel
Edelstahl

Float MS09-S

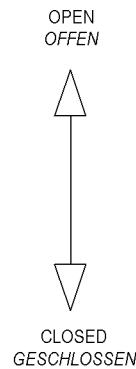
stainless steel
type and p/n show also
the position of magnet in the float
Edelstahl
Typ und Art.-Nr. markieren auch
die Magnetposition im Schwimmer

Stopper slice

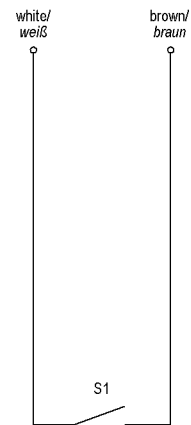
stainless steel
Stopperscheibe, Edelstahl



Switching scale



Schematic



Marking

according to EN60062/factory code
gem. EN60062/Fertigungsstätte





Europe: +49 / 7731 8399 0 | Email: info@meder.com
 USA: +1 / 508 295 0771 | Email: salesusa@meder.com
 Asia: +852 / 2955 1682 | Email: salesasia@meder.com

Item No.:
9552661054
 Item:
LS05-1A66-2-500W
stainless steel

Special Product Data	Conditions	Min	Typ	Max	Unit
Contact rating	Any DC combination of V & A not to exceed their individual max.'s			10	W
Switching voltage	DC or Peak AC			180	V
Carry current	DC or Peak AC			1,25	A
Switching current	DC or Peak AC			0,5	A
Sensor-resistance	measured with 40% overdrive			350	mOhm
Approval		UL listed materials			
Approval		UL-File Nr. NKPZ2. E347666			
Approval		UL-File Nr. NKPZ8. E347666			
Material of float		stainless steel			
Housing material LS		stainless steel			
Sealing compound		Polyurethan			

Environmental data	Conditions	Min	Typ	Max	Unit
Operating temperature	cable not moved	-30		80	°C
Operating temperature	cable moved	-5		80	°C
Storage temperature		-30		80	°C
Safety class	DIN EN 60529	IP68			

Cable specification	Conditions	Min	Typ	Max	Unit
Cable type		round cable			
Cable material		PVC			
Cross section		AWG 26			

General data	Conditions	Min	Typ	Max	Unit
Mounting advice		over 5m cable, a resistor is recommended.			
Tightening torque				0,5	Nm

Modifications in the sense of technical progress are reserved

Designed at: 30.05.11 Designed by: WKOVACS
 Last Change at: 06.09.13 Last Change by: WKOVACS

Approval at: 30.05.11 Approval by: DKUECHLER
 Approval at: 09.09.13 Approval by: DKUECHLER

Version: 03