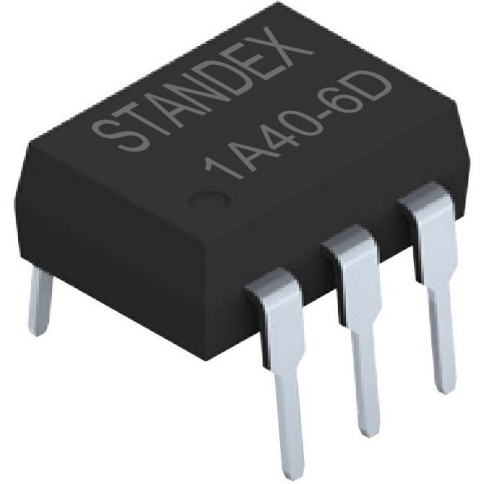


# 40 Series Photo-MOSFET Relay

- **Features:** High Voltage Photo MOSFET Relay, switching up to 1500 VDC/Peak AC
- THT or SMD, High I/O Isolation
- Tested in accordance with AEC-Q101, UL listed, RoHS Compliance
- **Applications:** EV/Battery Management Systems, I/O Modules, Sensing Equipment, Solar
- **Markets:** Automotive, Telecommunication, Test & Measurement, Security



Part Description: **SMP-XA40-6XX-X**

Number of Poles	Contact Form	Series Number	Number of Pins	Mounting Type	Package Style	Special Features
1	A	40	6	D, S	Tube, Reel	Nil, Q, R

See page 4 for Glossary

### Maximum Ratings @ Ambient Temperature = 25°C

Parameters	Symbol	Value	Units	Condition
		1A40-6D, S		
<b>INPUT SPECIFICATIONS</b>				
Continuous LED Current	$I_F$	50	mA	-
Peak LED Current	$I_{FP}$	500	mA	f=100Hz, 1% Duty Cycle
LED Reverse Voltage	$V_R$	5	V	-
Input Power Dissipation	$P_{IN}$	75	mW	-
<b>OUTPUT SPECIFICATIONS</b>				
Load Voltage	$V_L$	1500	DC or Peak AC	-
Load Current	$I_L$	45	mA	Schematic 1 (AC or DC)
	$I_L$	50	mA	Schematic 2 (DC)
	$I_L$	70	mA	Schematic 3 (DC)
Peak Load Current	$I_{PEAK}$	180	mA	1 ms, 1 shot
Output Power Dissipation	$P_{OUT}$	450	mW	-
<b>GENERAL SPECIFICATIONS</b>				
Total Power Dissipation	$P_T$	500	mW	-
I/O Breakdown Voltage	$V_{I/O}$	3750	$V_{RMS}$	-
I/O Breakdown Voltage	$V_{I/O}$	5000	$V_{RMS}$	Suffix R
Operating Temperature	$T_{OPR}$	-40/+85	°C	-
Operating Temperature	$T_{OPR}$	-40/+105	°C	Suffix Q
Storage Temperature	$T_{STG}$	-40/+100	°C	-

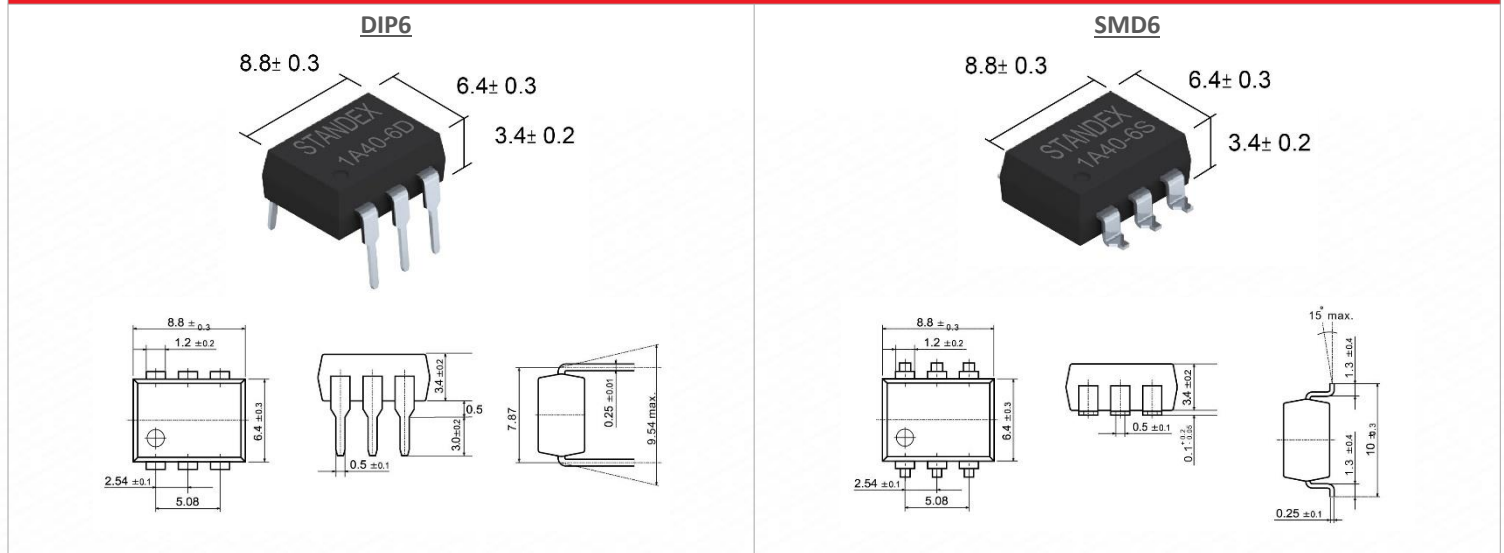


# 40 Series Photo-MOSFET Relay

## Maximum Ratings @ Ambient Temperature = 25°C

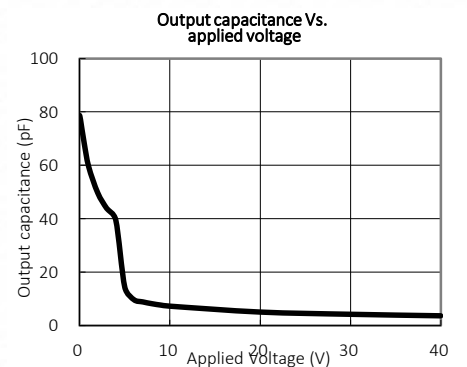
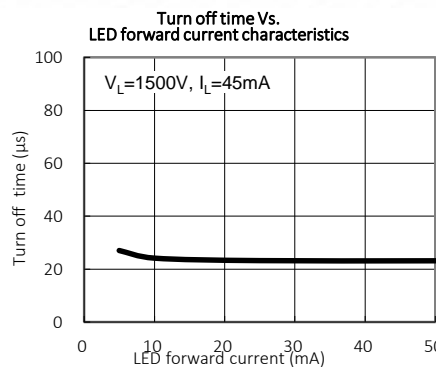
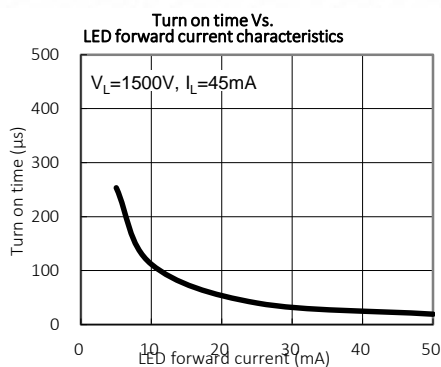
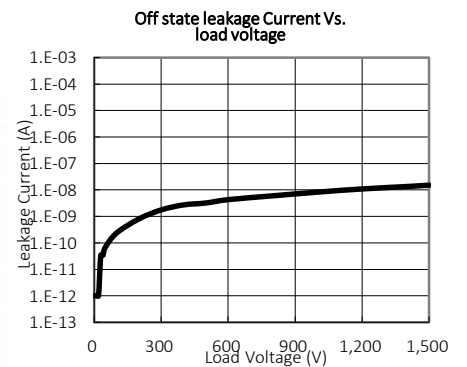
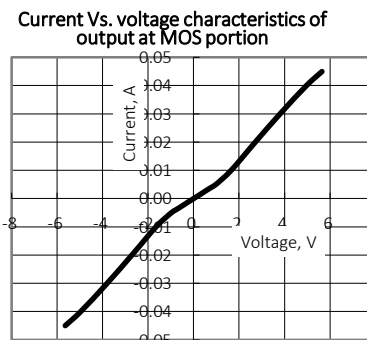
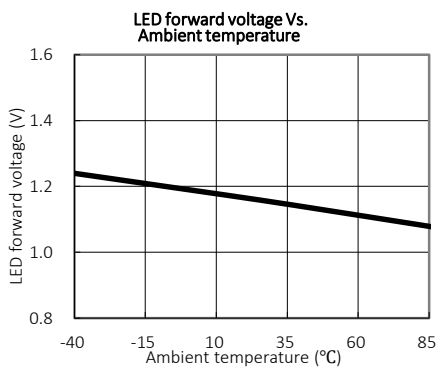
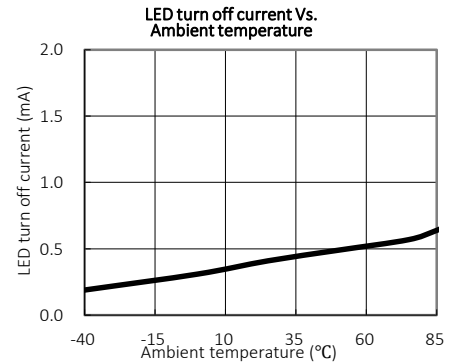
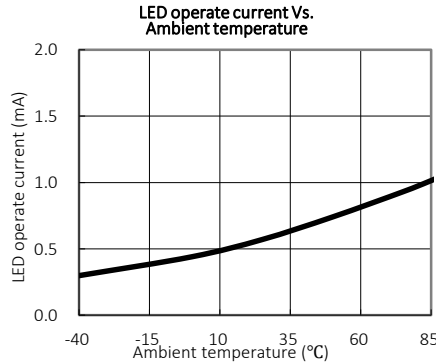
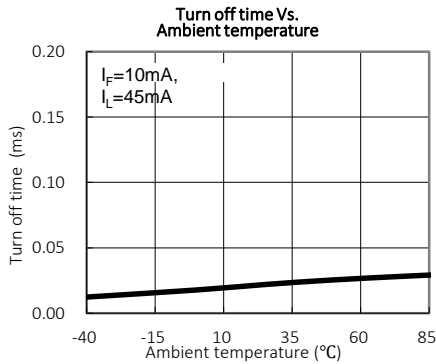
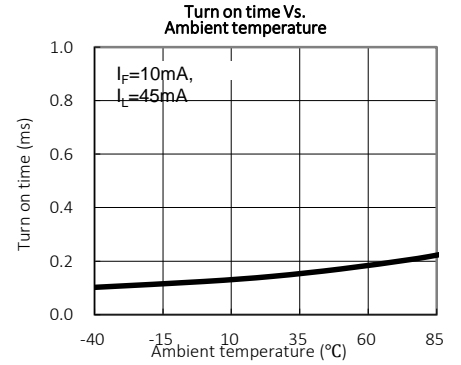
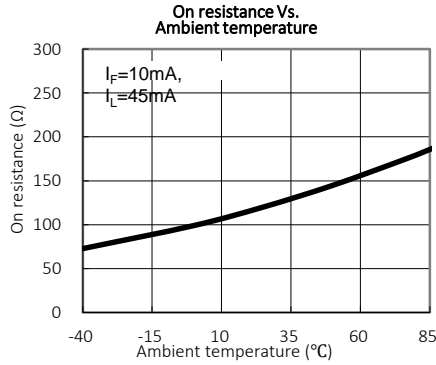
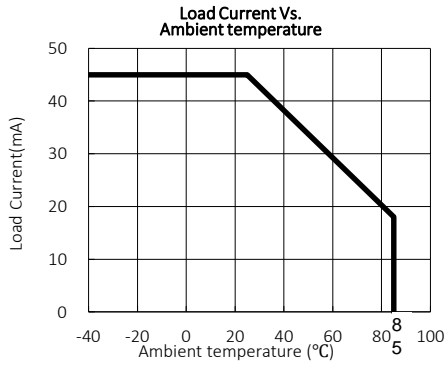
Parameters	Symbol	Min	Typ	Max	Units	Condition
<b>INPUT SPECIFICATIONS</b>						
LED Forward Voltage	$V_F$	1.0	1.17	1.5	V	$I_F = 10\text{mA}$
Operation LED Current	$I_{F\text{ ON}}$	-	0.9	5.0	mA	-
Recovery LED Voltage	$V_{F\text{ OFF}}$	0.5	1.0	-	V	-
<b>OUTPUT SPECIFICATIONS</b>						
On Resistance: Drain to Drain	$R_{\text{ON}}$	-	110	200	$\Omega$	$I_F = 10\text{mA}$ , $I_L = \text{Rating}$ (within 1 sec.)
	$R_{\text{ON}}$	-	180	300	$\Omega$	$I_F = 10\text{mA}$ , $I_L < 5\text{mA}$
Off-State Leakage Current	$I_{\text{LEAK}}$	-	-	10	$\mu\text{A}$	$I_F = 10\text{mA}$ , $V_L = 40\text{V}$
Output Capacitance	$C_{\text{OUT}}$	-	83	-	$\rho\text{F}$	$V_L = 0\text{V}$ , $f = 1\text{MHz}$
<b>TRANSMISSION SPECIFICATIONS</b>						
Turn-On Time	$T_{\text{ON}}$	-	0.3	1.0	ms	$I_F = 10\text{mA}$ , $I_L = \text{Rating}$
Turn-Off Time	$T_{\text{OFF}}$	-	0.05	0.5	ms	
<b>COUPLED SPECIFICATIONS</b>						
I/O Insulation Resistance	$R_{\text{I/O}}$	$10^{10}$	-	-	$\Omega$	-
I/O Capacitance	$C_{\text{I/O}}$	-	1.3	-	$\rho\text{F}$	$f = 1\text{MHz}$

## Photo-MOSFET Relay Dimensions (Tolerances acc. to ISO 2768-mp)



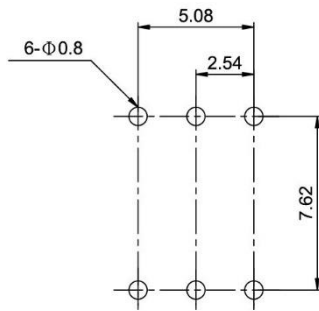
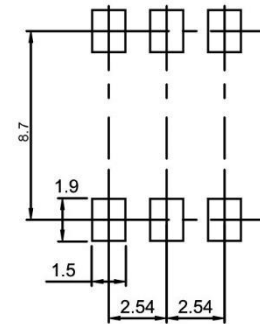
# 40 Series Photo-MOSFET Relay

## Photo MOSFET Relay Reference Data

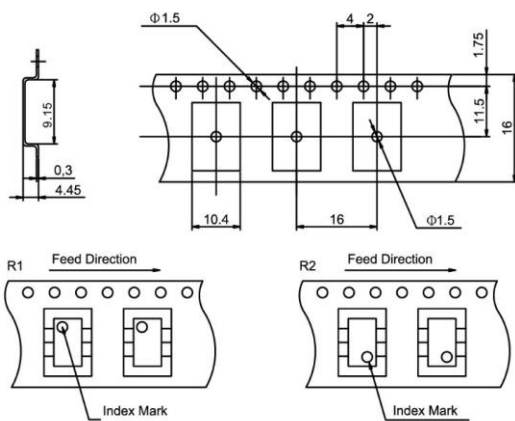
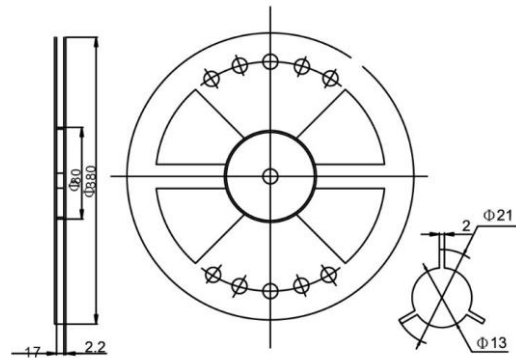


# 40 Series Photo-MOSFET Relay

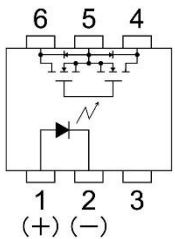
## Photo MOSFET Relay Recommended PCB Pad Layout (Tolerances acc. to ISO 2768-mp)

**DIP4 (Bottom View)**

**SMD6 (Top View)**


## Photo MOSFET Relay Tape & Reel Packaging (1,000 pcs per reel) / THT Packaging (50 pcs per tube)


**SMD6**


## Photo MOSFET Relay Pin-Out (Top View)

**6 PIN**


- 1: Anode (LED)
- 2: Cathode (LED)
- 3: NC
- 4,6: Drain (MOS FET)
- 5: Source (MOS FET)

## Glossary Options

D	DIP (Dual-In-Line Package)
S	SMD (Surface Mount Design)
P	SOP (Small-Outline Package)
Q	AEC-Q101 / High Temperature
R	Reinforced Isolation

**Please note:** All technical specifications in this series datasheet refer to the standard product range. Modifications in the sense of technical progress are reserved. For general information only. For more specific information, please consult the product datasheet, available upon request.

This series datasheet could contain technical inaccuracies or typographical errors. Changes are periodically made to the information herein. These changes will be incorporated in future revisions.

For deviating values, latest specifications and product details, please contact your nearest sales office.