

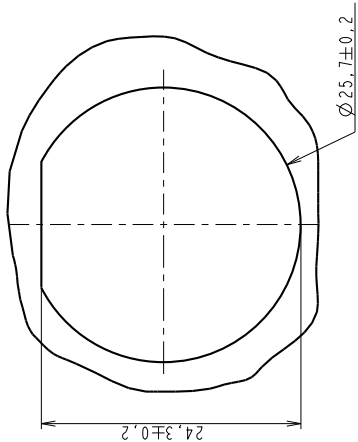
**MATERIAL :**

Shell: Polyamid UL94 V-0  
 Insert: Polyolid UL94 V-0  
 Seal gasket : Sealing IP68/69K : Silicone  
 O'ring: nitril  
 Nut: Aluminium alloy black anodized

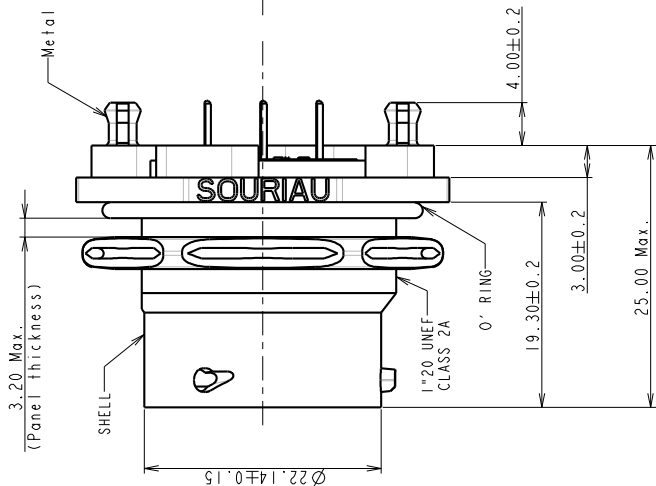
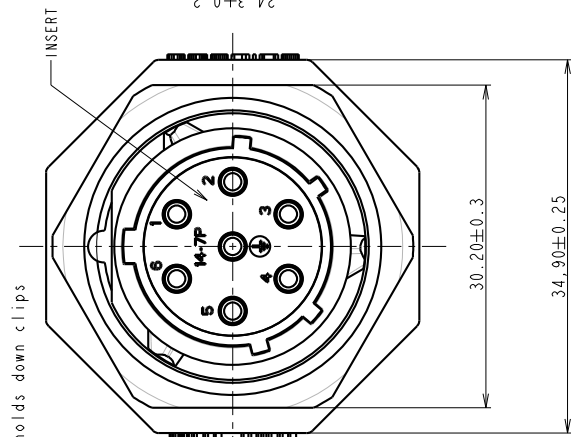
**PERFORMANCE CHARACTERISTICS :**

Operating temperature: -40°C up to 105°C  
 Insulation resistance: 5000 MΩ min  
 Test potential: 2000 Vrms for #16 layout  
 Corrosion salt spray: 500 hours  
 Durability: 250 matings and unmatings  
 Sealing in mated conditions:  
 - IP68 1 bar during 1 week : immersion under 10 m of water.  
 (IEC 60529)  
 - IP69K : exposure to high pressure water of cleaning equipment (DIN 40050)

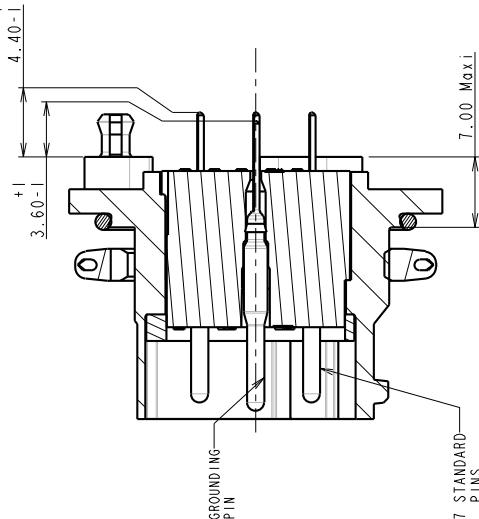
**PANEL CUT OUT**



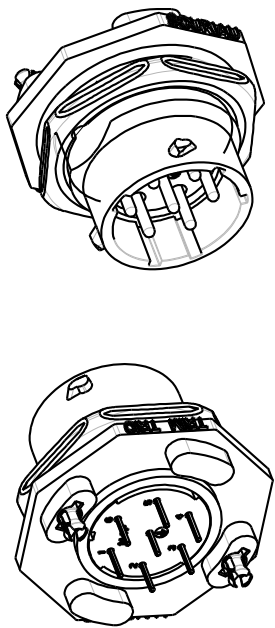
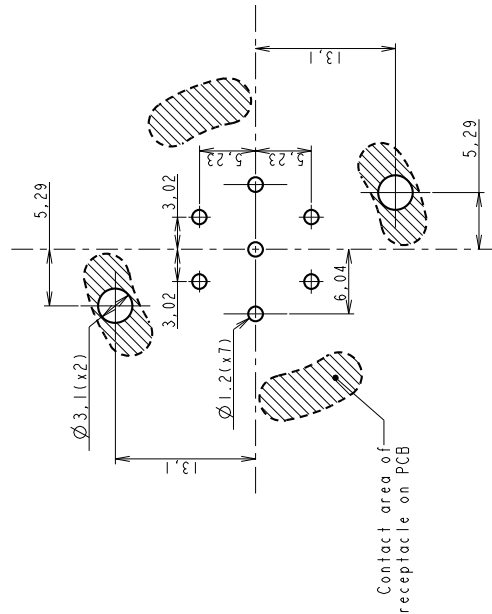
**MATING FACE**



**MALE CONNECTOR**



**DRILLING PATTERN**



**P/N : UTS7147PSEK9**

**CUSTOMER DRAWING**

B	27/03/07	Change position of one harpoon : Put a symmetric position for the 2 harpoons - Add dimension of contact termination	ROULLARD ,CH	MOD. N°	--
ISS	DATE	Latest modification	by:		
	DESIGNED BY:	SORIN V.	DATE:	17/05/06	TYPE OF DRAWING: Customer
	CHECKED BY:	SEE DISTRIBUTION LIST	DATE:	SEE DISTRIBUTION LIST	
TITLE: JAM NUT RECEPTACLE					
UTS CONNECTOR					
Scale	General angular	MATERIAL		--	
3/1	Tolerances: ±				
	General linear	General matching		Ro 3.2	
	Tolerances: ±0.1	Surface texture		See NF E 04-552	
PROJECT			UTS		
FORMAT			SOURIAU		
A2			Route Nationale 23 72100 MATHIEU Tel. : 33302.43.35.00		
SHEET			1/1		

**NOT EXPORT CONTROLLED**