

DWG. NO. S99986

BILL OF MATERIAL

Table with 11 columns: ITEM NO., DESCRIPTION, QTY., and 9 columns for different cable types (UTLMK613G1SP3FT to UTLMK613G1PS12FT01). Includes a summary row for NOMINAL CABLE ØD and Amps (15 AMP MAX, 10 AMP MAX, 7 AMP MAX).

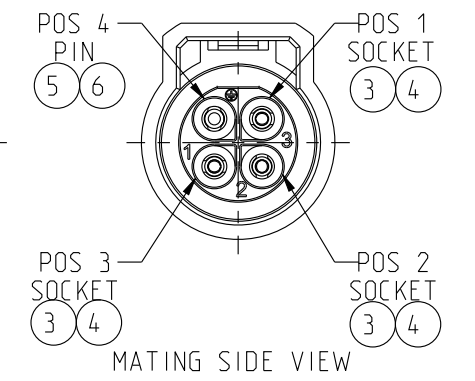
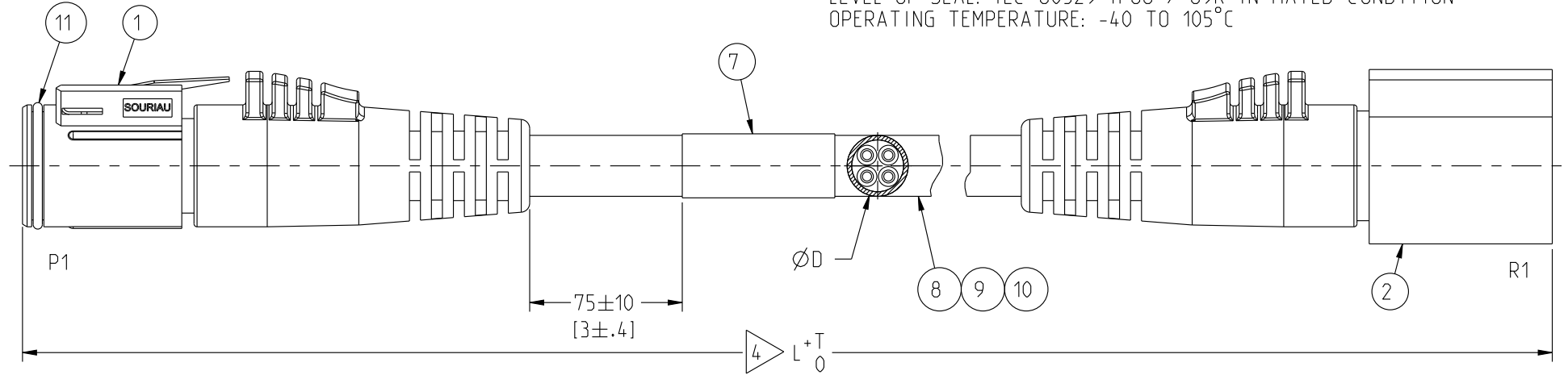
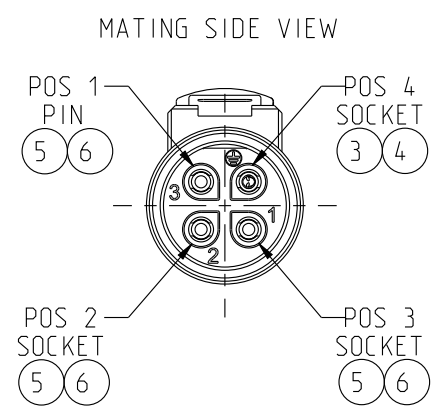
NOTES: 1. WORKMANSHIP STANDARDS AND INSPECTION CRITERIA ARE IN ACCORDANCE WITH IPC/WHMA-A-620, CLASS 2. 2. CABLE ASSEMBLIES ARE 100% INSPECTED AND ELECTRICALLY TESTED FOR VISUAL AND DIMENSIONAL, SHORTS, OPENS, AND CONTINUITY. 3. ALL MATERIALS ARE RoHS COMPLIANT. 4. SEE TABLE L FOR LENGTH 'L' & TOLERANCE 'T'. 5. UTL CONNECTOR SPECIFICATIONS: -ELECTRICAL SPECIFICATIONS: UL 1977 APPLICATION-1: 480 V (600 V MAX) AC OR DC 16 AMP MAX; UL94-5VA MAY NOT BE USED TO INTERRUPT CURRENT. APPLICATION-2: 277 V AC OR DC 10 AMP MAX; MAY BE USED TO INTERRUPT CURRENT. -CONNECTOR MATERIALS: HALOGEN-FREE RoHS COMPLIANT THERMOPLASTIC ULTRAVIOLET RESISTANT PER UL746C-F1. -MECHANICAL SPECIFICATIONS: DURABILITY: MINIMUM 250 MATE UNMATE CYCLES (STANDARD) 500 MATE-UNMATE CYCLES (OPTIONAL) SALT SPRAY: >= 1000 HOURS FLUID RESISTANT: GAS-OIL; MINERAL OIL; ACID BATH; BASIC BATH LEVEL OF SEAL: IEC 60529-IP68 / 69K IN MATED CONDITION OPERATING TEMPERATURE: -40 TO 105°C

6. CABLE SPECIFICATIONS -SJOOW: 300V, 90°C UL LISTED & CSA CERTIFIED FOR INDOOR & OUTDOOR USE UL-62 / CSA C22.2-49; MSHA APPROVED; RoHS COMPLIANT OIL, UV, WATER RESISTANT -SOOW: 600V, 90°C UL & CSA LISTED; CERTIFIED FOR INDOOR & OUTDOOR USE; OSHA ACCEPTABLE MSHA LISTED PASSES MSHA FLAME-TEST P-136-MSHA RESISTANT TO: OIL, UV (UL-62), SOLVENTS, WATER, OZONE, AGING, AND ABRASION SUITABLE FOR SPECIAL APPLICATIONS PER NFPA 70 (NEC) PARA 501.10 (B)(S) CL.1 DIV 2 LOCATIONS AND PARA 501.140(B) CL.1 DIV 1 & 2

7. THE ASSEMBLY IS PACKAGED IN A RESEALABLE PLASTIC BAG; PACKAGING & CABLE ID LABEL INFORMATION SHOWN

THIS DRAWING IS A CONTROLLED DOCUMENT FOR SOURIAU USA, INC. IT IS SUBJECT TO CHANGE WITHOUT NOTIFICATION. CONTACT THE DOCUMENT CONTROL CENTER FOR THE LATEST REVISION.

THE INFORMATION CONTAINED IN THIS DRAWING IS CONFIDENTIAL AND MAY NOT BE DISCLOSED WITHOUT WRITTEN CONSENT FROM SOURIAU USA, INC.



COMPANY NAME: SOURIAU  
SOURIAU PART NO.: XXXXXXXXXXXXXXXXXXXX  
DATE CODE: YYYYWK & LOT ID 09922  
SOURIAU CAGE CODE

TABLE L: PART NO., LENGTH L, TOLERANCE T. Lists various cable part numbers and their dimensions.

LINEAR MEASURE: mm (INCH) THIRD ANGLE PROJECTION. TOLERANCES UNLESS OTHERWISE SPECIFIED. No. OF PLACES mm [INCH]: ONE PLACE ±3 [±.1], TWO PLACES ±0.5 [±.02], THREE PLACES ±0.25 [±.010]. ANGLES ±1°

DRAWING TITLE: UTL CABLE ASSY, PIN RECEPTACLE - SOCKET PLUG. CAT NO.: UTLMK\_613G1 \_\_\_ FT \_\_ (SEE BOM). CAGE NO: 09922 SIZE: B. CUSTOMER: INTERPRET THIS DRAWING IN ACCORDANCE WITH ASME Y14.5M - 1994. SOURIAU Connection Technology www.souriau.com. APPROVAL: DRAWN: C JM 10-25-12, CHKD: NPP 10-25-12, DSGN: XXX mm-dd-yy, MFG: DH 10-25-12, QC: BB 10-25-12. DRAWING SCALE: 1:1. DRAWING NO.: S99986 REV: A. 1 OF 1

CABLE WIRING DIAGRAM: P1 CONTACT POSITION, WIRE COLOR, R1 CONTACT POSITION. 1 BLACK 1, 2 RED 2, 3 WHITE 3, 4 GREEN 4.