

# Edco PCB1B-WKEY

Card Edge Terminal Connector

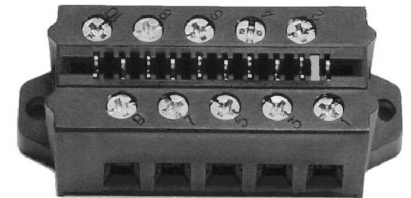
Edco's PCB1B-WKEY base was designed to accommodate up to 10 AWG wire. In addition, it offers flat/phillips terminal screws. The Edco PCB1B-WKEY can be mounted using two #6 size screws.

The Edco PCB1B-WKEY is the standard socket for all of Emerson Network Power's plug-in style surge suppressor modules including the Edco PC642, PHC, SLCP, PC2TEL, 5W8-30 and others.

## General Technical Specifications

Dimensions (in / mm)

0.0775" H x 1.0" W x 2.4" L  
[2 x 25.4 x 61 mm]

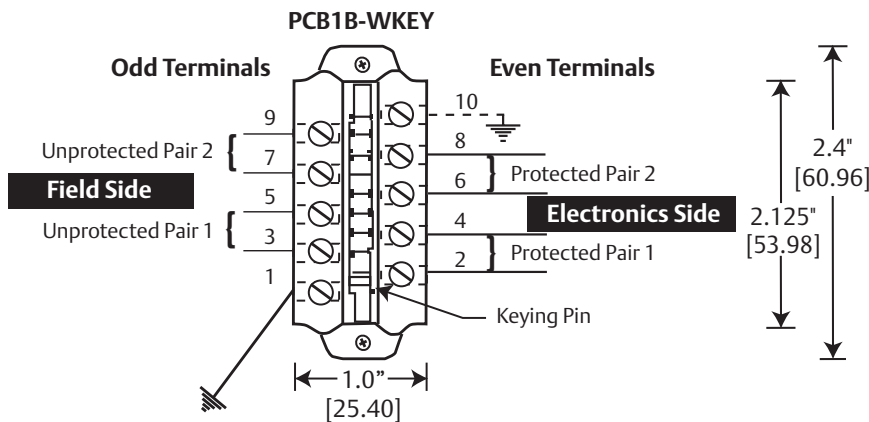


## Feature

- Accommodates 26 to 10 AWG Wires

## Installation Instructions

### Terminal Assignments



**NOTE:** DO NOT daisy chain grounds. NOT intended for shield termination. Install ground in accordance with all applicable codes.

## DANGER!

Only qualified personnel should install or service this system. Electrical safety pre-cautions must be followed when installing or servicing this equipment. To prevent risk of electrical shock, turn off and lock out all power sources to the unit before making electrical connections or servicing.

Seulement le personnel qualifié doit installer ou maintenir ce système. Des précautions de sécurité en électricité doivent être suivies lors de l'installation ou de la maintenance de cet équipement. Pour éviter tout risque de choc électrique, débranchez et verrouillez toutes les sources d'alimentation de cet équipement avant de.

### Emerson Network Power Contact information

Surge Protection  
100 Emerson Parkway  
Binghamton, NY 13905  
T: (607) 721-8840  
T: (800) 288-6169  
F: (607) 722-8713  
E: SurgeTech@Emerson.com

[www.EmersonNetworkPower.com/Surge](http://www.EmersonNetworkPower.com/Surge)

