



soberton inc.

WSP WATER RESISTANT SPEAKER

Acoustic Product Specification

Product Number: WSP-7608



Release | Revision: A/2018

CONTENTS

This document contains the technical specifications for the water resistant speaker

Page 1

Specifications

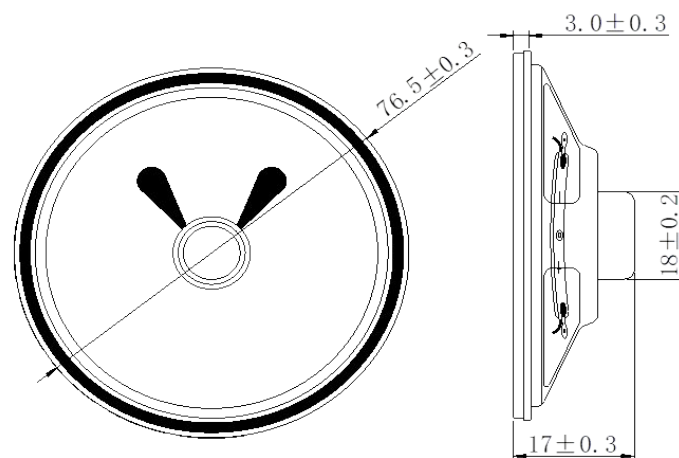
Dimensions

Frequency Response

Specifications

| Specification | Unit | WSP-7608 |
|-----------------------------|--------------|--|
| AC Impedance | Ω | 8 \pm 15% at 1000Hz |
| Rated Input Power | Watt | 2.0 |
| Max Input Power | Watt | 3.0 |
| Resonant Frequency | Hz | 350 \pm 20% |
| Frequency Range | Hz | F0~8.0KHz, average SPL \pm 10dB |
| Output Sound Pressure Level | dB | 90 \pm 3dB 0.1 Watt/10 cm, AVG. at 0.8, 1.0, 1.2, 1.5KHz |
| Operating Temperature | $^{\circ}$ C | -20 $^{\circ}$ C ~ +50 $^{\circ}$ C |
| Storage Temperature | $^{\circ}$ C | -40 $^{\circ}$ C ~ +60 $^{\circ}$ C |
| Dimension | mm | \varnothing 76.5 x H17.0 |
| Distortion | | 3% maximum at 1000Hz, 2.0W |
| Polarity | | Diaphragm shall move forward when a positive DC current is applied to the "+" or "Marked" terminal |
| Load Test | | Audio Signal Generator at 4.0 Volt Total 48hrs and 20Hz ~ 20KHz resonant frequency |
| Abnormal Sound Test | | Must be normal tested at 4.0 Volt sine wave |
| Ingress Rating | | IP65 |

Dimensions



Unit: mm

Frequency Response

