



soberton inc.

DYNAMIC SPEAKER UNIT

Acoustic Product Specification

Product Number: SP-4012-8Y



Release | Revision: A/2018

CONTENTS

This document contains the technical specifications for the dynamic speaker.

Page 1

Speaker Specification

Page 2

Measuring Circuit

Typical Frequency Response Curve

Page 3

Dimensions

Page 4

Packing

Speaker Specification

Item	Specification	Testing Condition
Voice Coil Impedance	8Ω±15%	At 1.5KHz, 1.0V
Resonant Frequency	400±20%Hz	At 1.0V
Output S.P.L.	78±2dB Average @0.8, 1.0, 1.2, 1.5, 2.0 KHz	At 1.0m /1.0W
Frequency Response	F0~12KHz	-10dB
Rated Input Power	2.0 W	
Max Input Power	3.0 W	
Distortion	≤ 7% max	
Operation	Must be normal	Program source 2.0 W
Noise	Must be normal	Sine wave 4.0 V
Heat Test	Meet items 8 & 9 after test	55±2°C 96 hours
Humidity Test	Meet items 8 & 9 after test	40±2°C 90~95%RH 16 hours
Load Test	Meet items 8 & 9 after test	2.0 W 100 hours
Magnet	Φ12.5 x 2.5mm NdFeB	
Net Weight	13g	
Polarity	When a positive DC current is applied to the terminal marked(+), the diaphragm moves forward.	
Dimensions	40.0x28.2xH11.8mm	Flange Mount
IP Level	IP30	



soberton inc.

DYNAMIC SPEAKER UNIT

Acoustic Product Specification

Product Number: SP-4012-8Y



Release | Revision: A/2018

CONTENTS

This document contains the technical specifications for the dynamic speaker.

Page 1
Speaker Specification

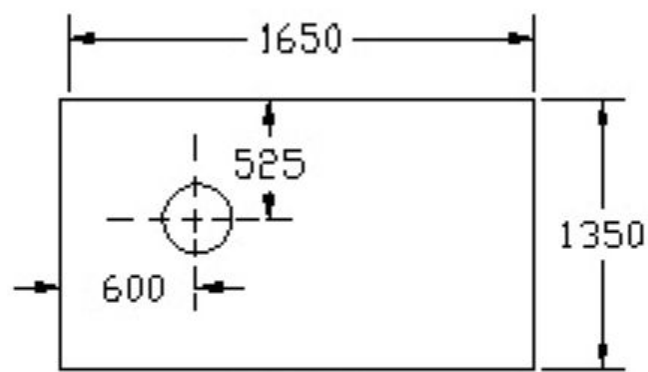
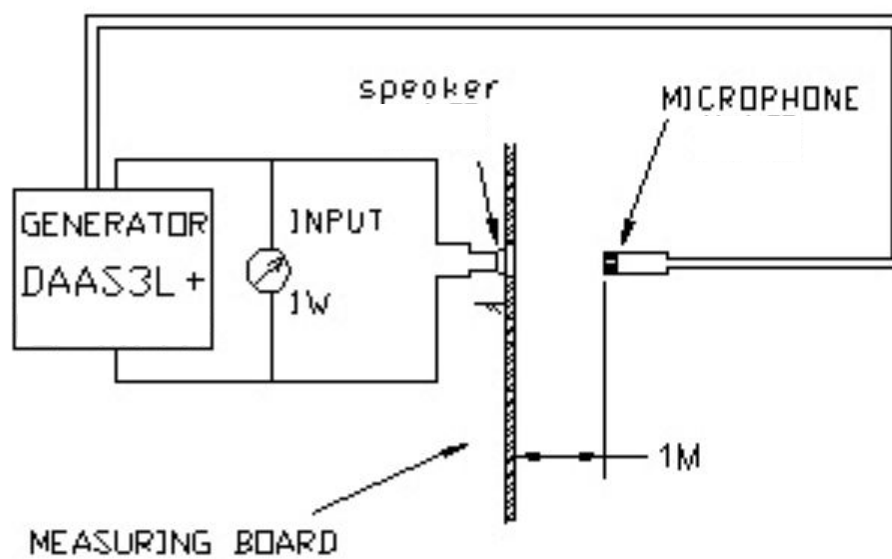
Page 2
Measuring Circuit

Typical Frequency Response Curve

Page 3
Dimensions

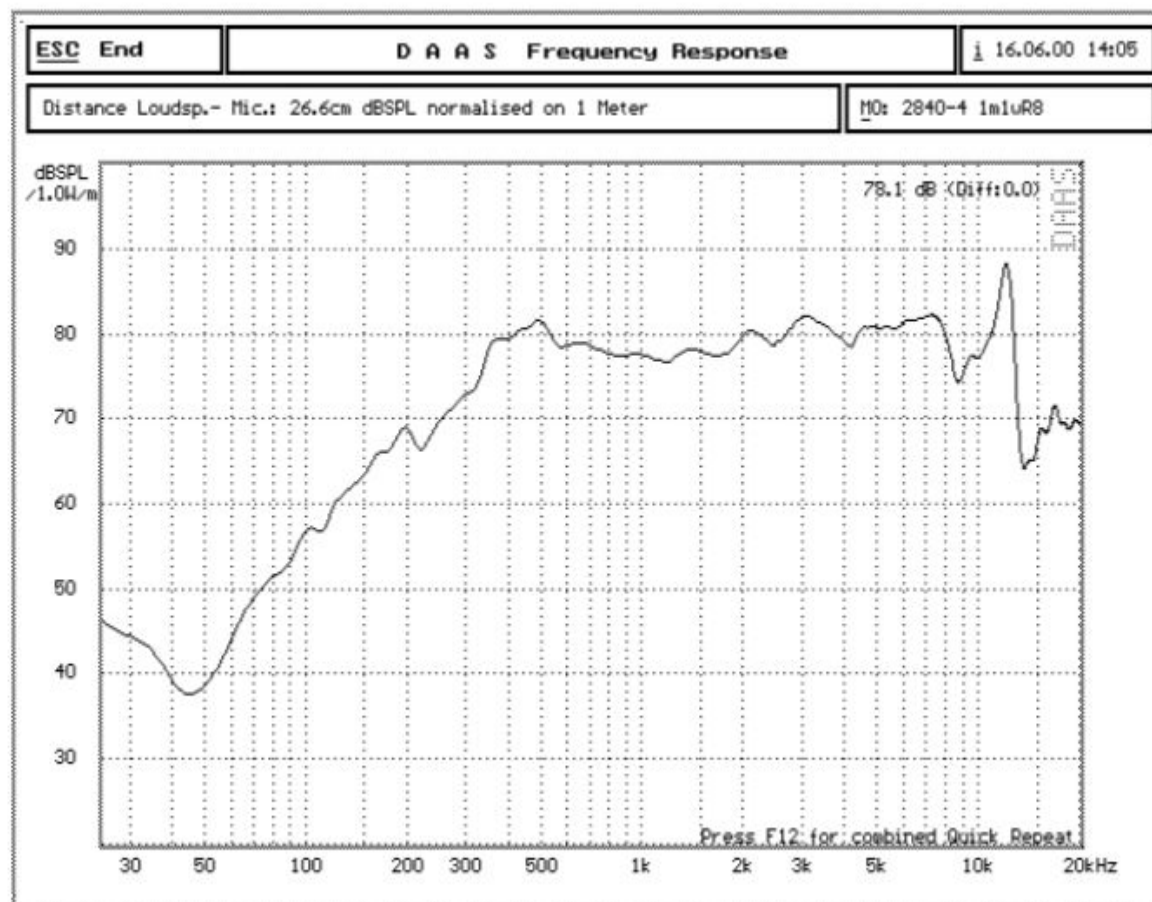
Page 4
Packing

Measuring Circuit



MEASUREMENT

Typical Frequency Response Curve





soberton inc.

DYNAMIC SPEAKER UNIT

Acoustic Product Specification

Product Number: SP-4012-8Y



Release | Revision: A/2018

CONTENTS

This document contains the technical specifications for the dynamic speaker.

Page 1

Speaker Specification

Page 2

Measuring Circuit

Typical Frequency Response Curve

Page 3

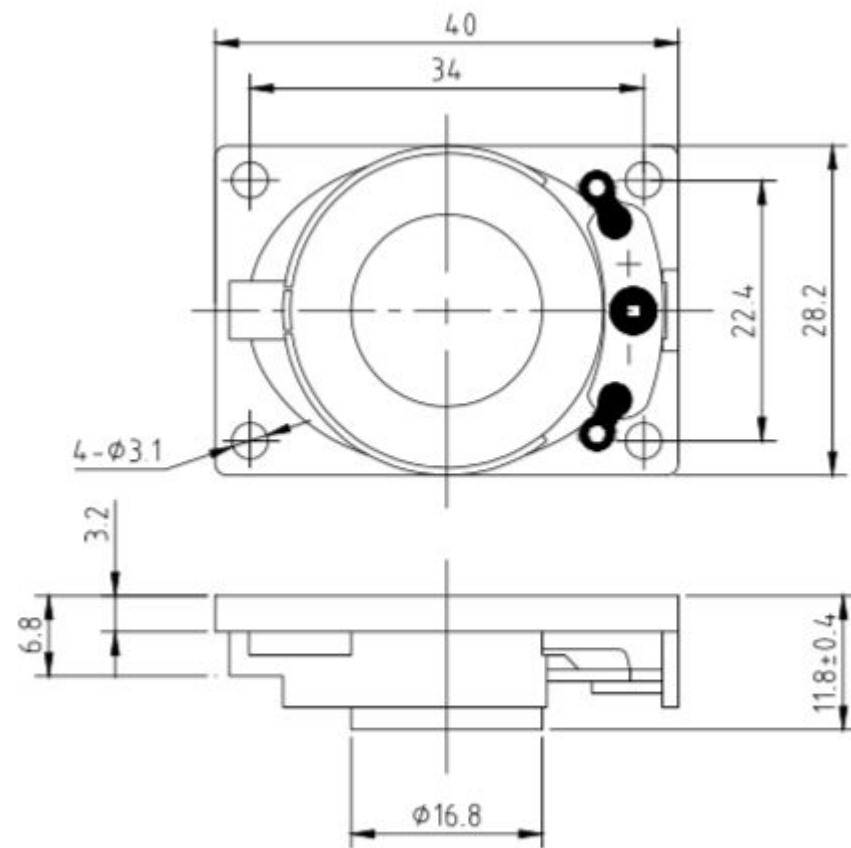
Dimensions

Page 4

Packing

Dimensions

Tolerance: $\pm 0.2\text{mm}$





soberton inc.

DYNAMIC SPEAKER UNIT

Acoustic Product Specification

Product Number: SP-4012-8Y



Release | Revision: A/2018

CONTENTS

This document contains the technical specifications for the dynamic speaker.

Page 1

Speaker Specification

Page 2

Measuring Circuit

Typical Frequency Response Curve

Page 3

Dimensions

Page 4

Packing

Packaging

