



soberton inc.

DYNAMIC SPEAKER UNIT

Acoustic Product Specification

Product Number: SP-4009Y



Release | Revision: A/2018

CONTENTS

This document contains the technical specifications for the dynamic speaker.

Page 1

Speaker Specification

Page 2

Measuring Circuit

Typical Frequency Response Curve

Page 3

Dimensions

Speaker Specification

Item	Specification	Testing Condition
Dimensions	20.0 x 40.0 x H8.1 mm	
Voice Coil Impedance	8Ω±15%	At 1,500 Hz 1.0 V
Resonant Frequency	600±20%Hz	
Output S.P.L.	88±2dB at 1, 1.2, 1.5, 2.0 KHz in average	At 0.1m/0.1W
Frequency Response	f0~12KHz	-10dB
Rated Power	1.0 W	
Max Power	1.5 W	
Distortion	≤ 10 %	
Operation	Must be normal	Program source 1.0 W
Noise	Must be normal	Sine wave 2.8 V
Heat Test	Meet items 8 & 9 after test	55±2°C 16 hours
Humidity Test	Meet items 8 & 9 after test	40±2°C 90~95%RH 48 hours
Load Test	Meet items 8 & 9 after test	1.0 W 100 hours
Magnet	Φ11 x 1.5mm NdFeB	
Net Weight	7.7g	
Polarity	When a positive DC current is applied to the terminal marked(+), the diaphragm moves forward.	



soberton inc.

DYNAMIC SPEAKER UNIT

Acoustic Product Specification

Product Number: SP-4009Y



Release | Revision: A/2018

CONTENTS

This document contains the technical specifications for the dynamic speaker.

Page 1

Speaker Specification

Page 2

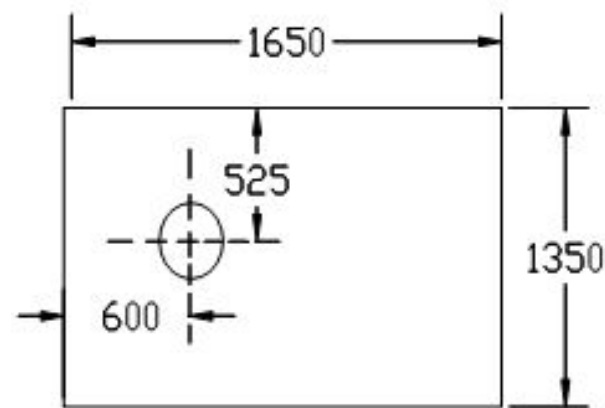
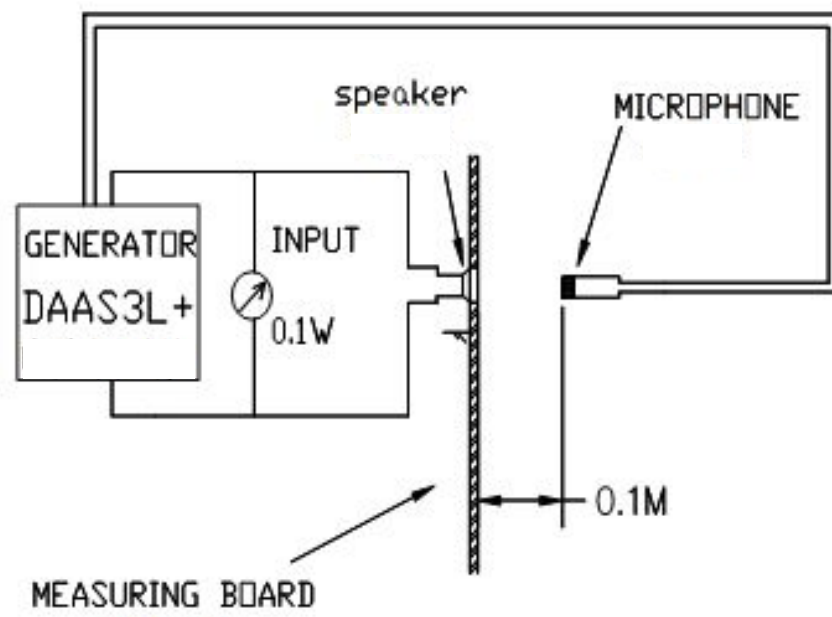
Measuring Circuit

Typical Frequency Response Curve

Page 3

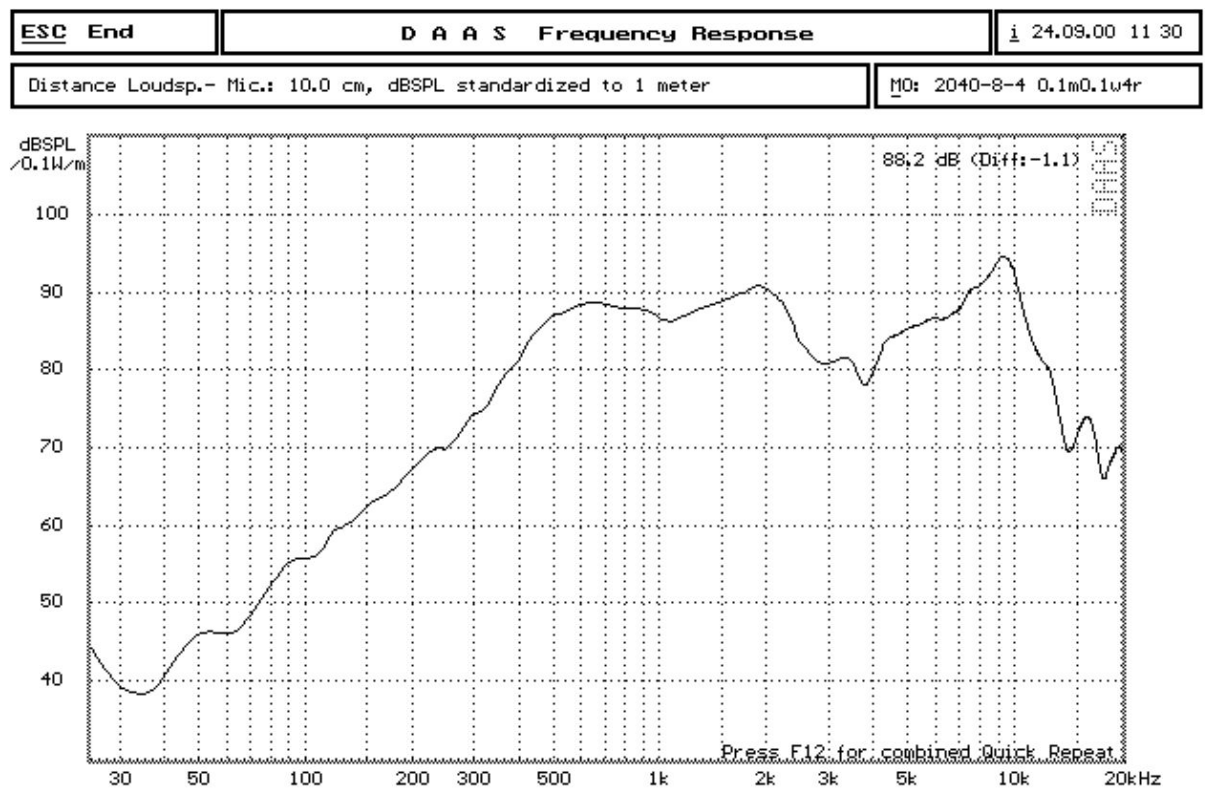
Dimensions

Measuring Circuit



MEASUREMENT

Typical Frequency Response Curve





soberton inc.

DYNAMIC SPEAKER UNIT

Acoustic Product Specification

Product Number: SP-4009Y



Release | Revision: A/2018

CONTENTS

This document contains the technical specifications for the dynamic speaker.

Page 1

Speaker Specification

Page 2

Measuring Circuit

Typical Frequency Response Curve

Page 3

Dimensions

Dimensions

Tolerance: $\pm 0.3\text{mm}$

