



soberton inc.

DYNAMIC SPEAKER UNIT

Acoustic Product Specification

Product Number: SP-3005-1Y



Release | Revision: A/2018

CONTENTS

This document contains the technical specifications for the dynamic speaker.

Page 1

Speaker Specification

Reliability Test

Page 2

Temperature Condition

Measuring Circuit

Typical Frequency Response Curve

Page 3

Dimensions

Speaker Specification

Item	Specification
Dimensions	Ø30 x 4.8mm
Rated Input Power	0.5 W
Maximum Input Power	0.8 W
Sound Pressure Level	92±3dB (Input : 0.1m/0.1 W) at 1.2, 1.5, 1.8, 2.0KHz in average (0dB SPL=20µPa)
Impedance	8Ω±20% (at 1 KHz, 1V)
Lower Resonance Frequency	600±20%Hz
Frequency Response	f0 ~20KHz (at -10dB)
Distortion	5% max (at 1KHz, 0.1m/0.5W)
Operation	Input 2VRMS sine wave.
Polarity	When a positive DC current is applied to the terminal marked (+), the diaphragm moves forward.

Reliability Test

Item	Method of Test Standard
Load Test	Input Power: 0.5W white noise Duration: 96 hours
Humidity Test	Temperature: 40°C Relative Humidity: 90~95% Duration: 96 hours
High Temperature Test	Temperature: 80°C Duration: 96 hours
Low Temperature Test	Temperature: -20°C Duration: 96 hours
Thermal Shock Test	High Temperature: 80°C Low Temperature: -20°C Number of Cycles: 5 cycles Duration of Exposure: 2 hours at each temperature Duration of Recovery: 1 hour
Vibration Test	Amplitude: 1.5 mm Frequency: 10 ~ 55 Hz Sweep Time: 1 minute Axes: 3 axes Duration: 2 hours on each axes
Drop Test	Drop an unpacked unit onto a board 20mm thick 10 times from a height of 100cm.



soberton inc.

DYNAMIC SPEAKER UNIT

Acoustic Product Specification

Product Number: SP-3005-1Y



Release | Revision: A/2018

CONTENTS

This document contains the technical specifications for the dynamic speaker.

Page 1

Speaker Specification

Reliability Test

Page 2

Temperature Condition

Measuring Circuit

Typical Frequency Response Curve

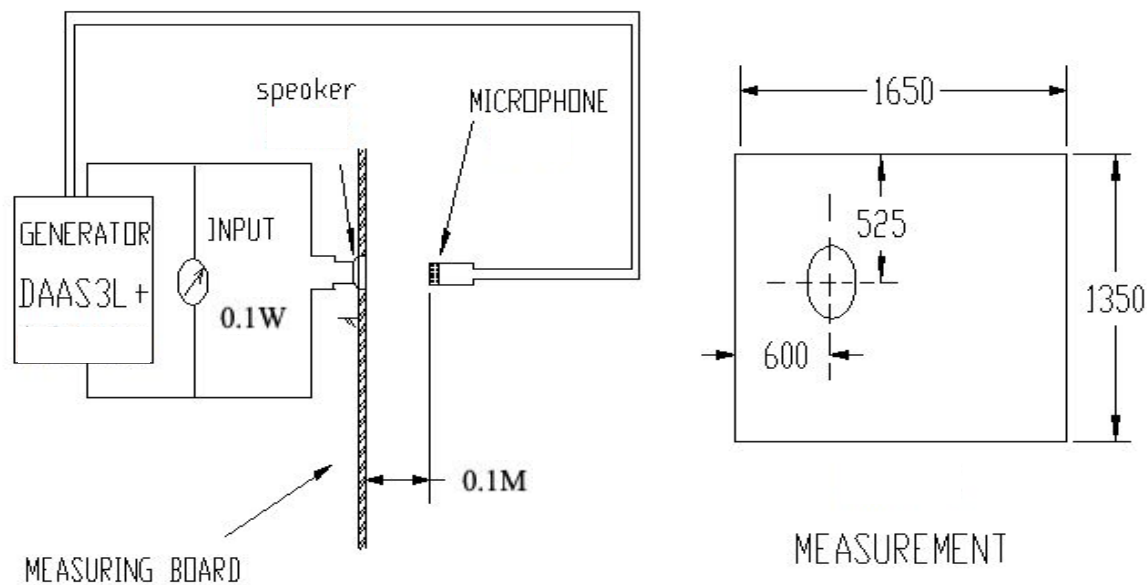
Page 3

Dimensions

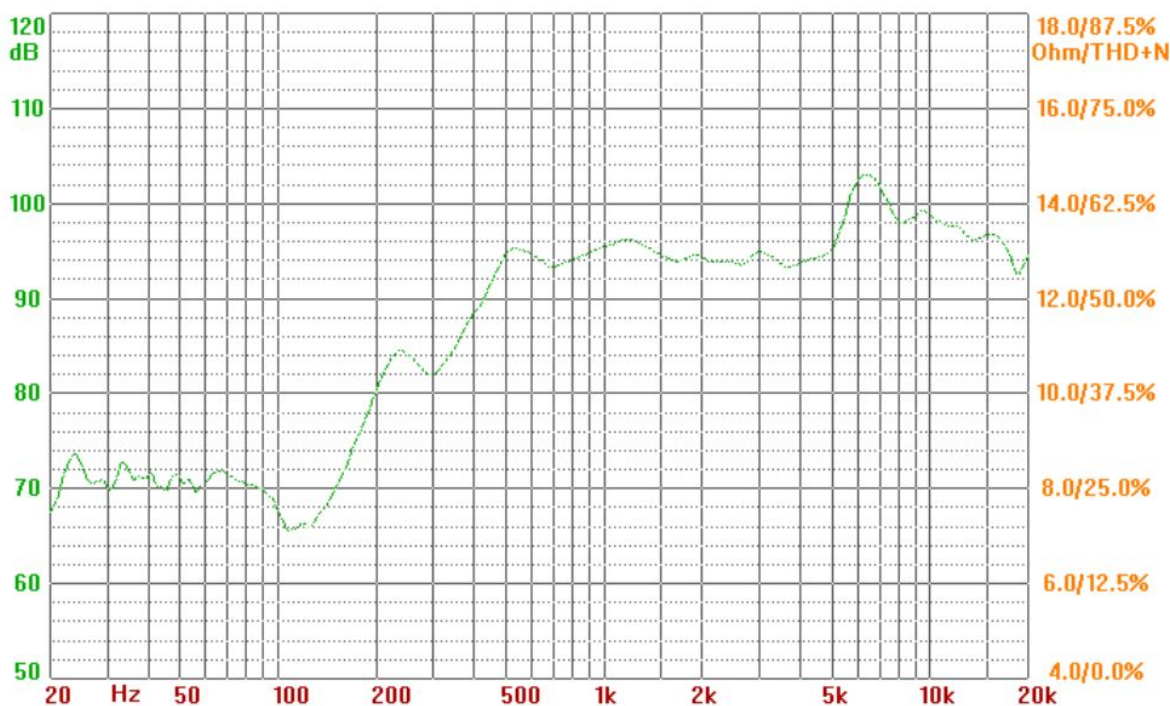
Temperature Condition

Item	Specification
Operation Temperature Range	-20°C ~ 60°C
Storage Temperature Range	-25°C ~ 80°C

Measuring Circuit



Typical Frequency Response Curve





soberton inc.

DYNAMIC SPEAKER UNIT

Acoustic Product Specification

Product Number: SP-3005-1Y



Release | Revision: A/2018

CONTENTS

This document contains the technical specifications for the dynamic speaker.

Page 1

Speaker Specification

Reliability Test

Page 2

Temperature Condition

Measuring Circuit

Typical Frequency Response Curve

Page 3

Dimensions

Dimensions

