

PRODUCT SUMMARY

SKY77344 PA Module for Quad-Band GSM / EDGE

Applications

- Quad-band cellular handsets:
- GSMK Modulation
 - Class 4 GSM850/900
 - Class 1 DCS1800/PCS1900
 - Class 12 GPRS multi-slot operation
- EDGE modulation
 - Class E2 GSM850/900
 - Class E2 DCS1800/PCS1900

Features

- High efficiency:
 - GSM850 51% @ 34.5 dBm
 - GSM900 50% @ 34.5 dBm
 - DCS1800 50% @ 32.5 dBm
 - PCS1900 48% @ 32.5 dBm
- Input/Output matching 50 Ω internal (with DC blocking)
- Integrated Couplers and Detector
- Detector Output Linear dB/V
- 20-pad MCM
- Small outline: 5 x 5 mm
- Low profile: < 1 mm

NEW Skyworks Green™ products are lead (Pb)-free, RoHS (Restriction of Hazardous Substances)-compliant, conform to the EIA/EICTA/JEITA Joint Industry Guide (JIG) Level A guidelines, and are free from antimony trioxide and brominated flame retardants.



Description

The SKY77344 Power Amplifier Module (PAM) is designed in a compact form factor for quad-band cellular handsets comprising GSM850/900, DCS1800, PCS1900, supporting GMSK and linear EDGE modulation. Class 12 General Packet Radio Service (GPRS) multi-slot operation is also supported.

The module consists of a GSM850/900 PA block and a DCS1800/PCS1900 PA block, impedance-matching circuitry for 50 Ω input and output impedances, and a Multi-function Power Amplifier Control (MFC) block. A custom BICMOS integrated circuit provides the internal MFC function and interface circuitry.

Two separate Heterojunction Bipolar Transistor (HBT) PA blocks are fabricated onto a single InGaP die; one supports the GSM850/900 bands, the other supports the DCS1800 and PCS1900 bands. Both PA blocks share common power supply pads to distribute current. The InGaP die, the silicon die, and the passive components are mounted on a multi-layer laminate substrate. The assembly is encapsulated with plastic overmold.

RF input and output ports are internally matched to 50 Ω to reduce the number of external components. Extremely low leakage current (2.5 μA, typical) maximizes handset standby time. Band select (BS) circuitry selects GSM transmit frequency band (logic 0) and DCS/PCS transmit frequency band (logic 1). MODE circuitry selects GMSK modulation (logic 0) or EDGE modulation (logic 1). VRAMP controls the output power for GMSK modulation and provides bias optimization for EDGE modulation depending on the state of MODE control.

The integrated multi-function control (MFC) provides closed loop power control in GMSK mode, reducing sensitivity to antenna load, input drive, temperature, power supply, and process variation. In EDGE mode, the MFC configures the PA for fixed gain, and provides the ability to optimize the PA bias operation at different power levels.

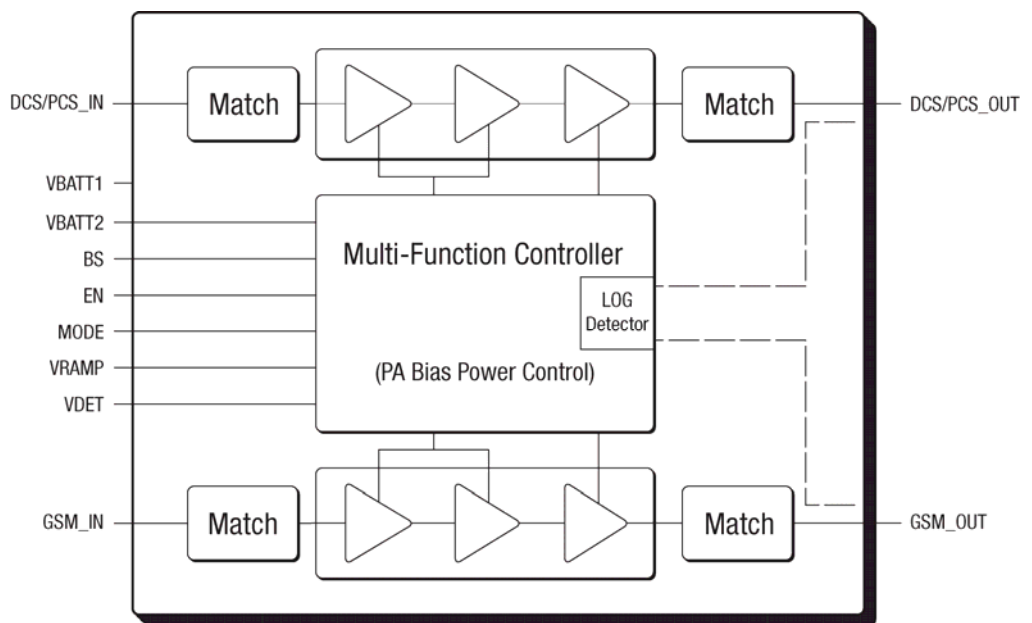


Figure 1. SKY77344 Functional Block Diagram

200890_001

Ordering Information

Model Number	Manufacturing Part Number	Product Revision	Package	Operating Temperature
SKY77344	SKY77344		5 x 5 x 0.95 mm	-25 °C to +85 °C

© 2008, 2009 Skyworks Solutions, Inc. All Rights Reserved.

Information in this document is provided in connection with Skyworks Solutions, Inc. ("Skyworks") products. These materials are provided by Skyworks as a service to its customers and may be used for informational purposes only by the customer. Skyworks assumes no responsibility for errors or omissions in these materials. Skyworks may make changes to its documentation, products, specifications and product descriptions at any time, without notice. Skyworks makes no commitment to update the information and shall have no responsibility whatsoever for conflicts, incompatibilities, or other difficulties arising from future changes to its documentation, products, specifications and product descriptions.

No license, express or implied, by estoppel or otherwise, to any intellectual property rights is granted by or under this document. Except as may be provided in Skyworks Terms and Conditions of Sale for such products, Skyworks assumes no liability whatsoever in association with its documentation, products, specifications and product descriptions.

THESE MATERIALS ARE PROVIDED "AS IS" WITHOUT WARRANTY OF ANY KIND, EITHER EXPRESS OR IMPLIED OR OTHERWISE, RELATING TO SALE AND/OR USE OF SKYWORKS PRODUCTS INCLUDING WARRANTIES RELATING TO FITNESS FOR A PARTICULAR PURPOSE, MERCHANTABILITY, PERFORMANCE, QUALITY OR NON-INFRINGEMENT OF ANY PATENT, COPYRIGHT OR OTHER INTELLECTUAL PROPERTY RIGHT. SKYWORKS FURTHER DOES NOT WARRANT THE ACCURACY OR COMPLETENESS OF THE INFORMATION, TEXT, GRAPHICS OR OTHER ITEMS CONTAINED WITHIN THESE MATERIALS. SKYWORKS SHALL NOT BE LIABLE FOR ANY DAMAGES, INCLUDING SPECIAL, INDIRECT, INCIDENTAL, OR CONSEQUENTIAL DAMAGES, INCLUDING WITHOUT LIMITATION, LOST REVENUES OR LOST PROFITS THAT MAY RESULT FROM THE USE OF THESE MATERIALS WHETHER OR NOT THE RECIPIENT OF MATERIALS HAS BEEN ADVISED OF THE POSSIBILITY OF SUCH DAMAGE.

Skyworks products are not intended for use in medical, lifesaving or life-sustaining applications. Skyworks customers using or selling Skyworks products for use in such applications do so at their own risk and agree to fully indemnify Skyworks for any damages resulting from such improper use or sale.

The following are trademarks of Skyworks Solutions, Inc.: Skyworks®, the Skyworks logo, and Breakthrough Simplicity®. Product names or services listed in this publication are for identification purposes only, and may be trademarks of Skyworks or other third parties. Third-party brands and names are the property of their respective owners. Additional information, posted at www.skyworksinc.com, is incorporated by reference.