



Tango 24

Through-hole mount 2.4GHz WiFi/WLAN Antenna

Key Features

- 2.4GHz WiFi Antenna
- 2dBi Gain
- Compact Puck Design



General Description

The Tango 24 is a compact, puck shaped antenna, tuned to 2.4GHz - WiFi/Bluetooth/ Zigbee frequencies.

The Tango 24 achieves a peak gain of 2dBi to provide a reliable network connection point. The screw base through hole design allows secure mounting into the case of the product.

Typical applications include vending machines, point of sales terminals and kiosks.

Supplied as standard with an SMA Male connector with reverse polarity. Alternative connectors and cable lengths may be specified for volume orders.

Additional Considerations

- WiFi / Bluetooth / Zigbee / ISM 2450MHz
- Screw threaded base for secure mounting
- Omni directional radiation





Tango 24

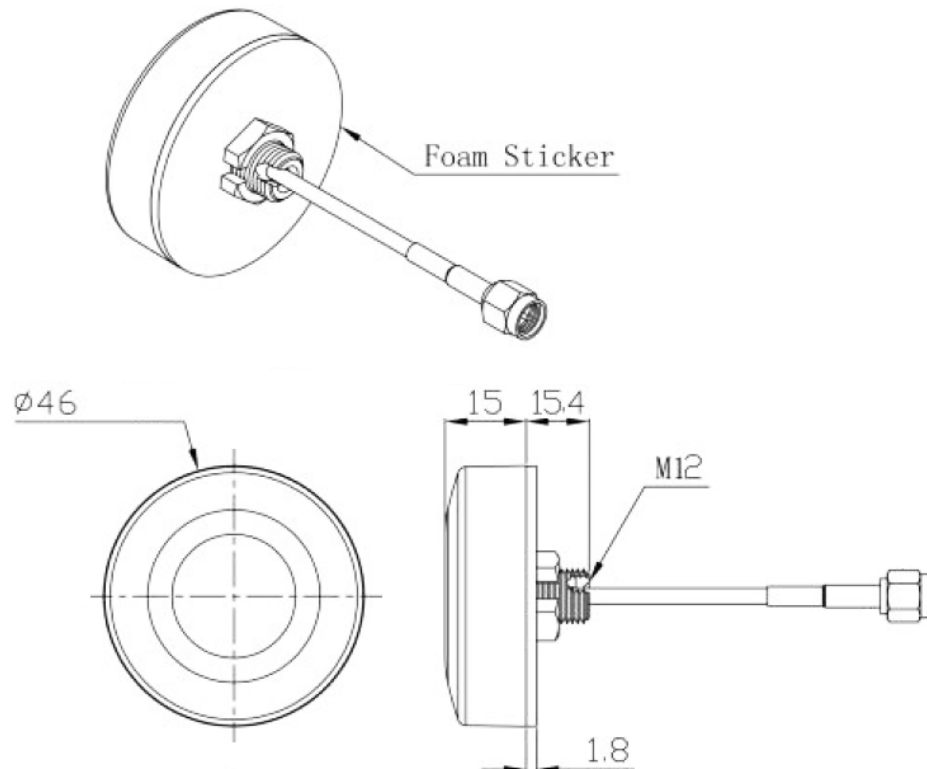
Through-hole mount 2.4GHZ WiFi/WLAN Antenna

Electrical Specifications

Operating Temperature:	-30 - +75°C
Storage Temperature:	-30 - +75°C
Impedance:	50 Ohm
Gain:	2dBi
VSWR:	≤2.1
Frequency range:	2400 - 2500MHz
Bandwidth:	100MHz
Power capacity:	50W
Polarization:	Vertical

Mechanical Specifications

Dimensions:	46 Ø x H15mm
Connector:	SMA Male Reverse Polarity
Cable:	RG174
Mounting Method:	M12 Screw
Maximum Material Thickness:	3.5mm

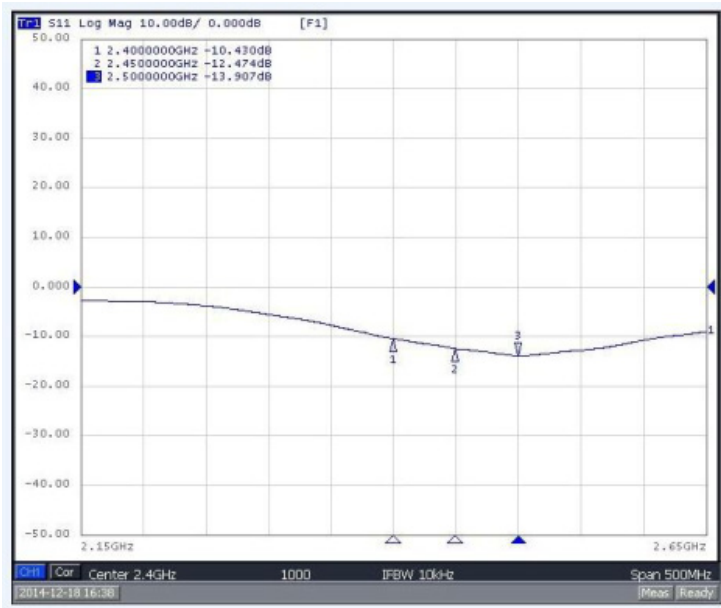




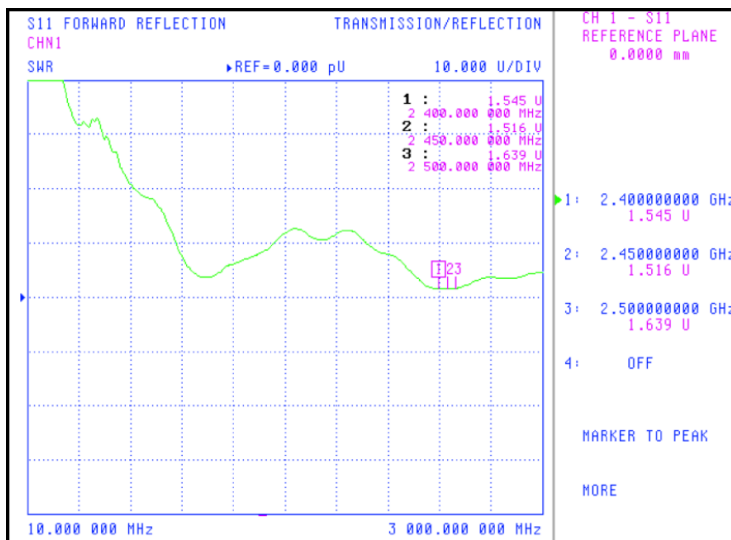
Tango 24

Through-hole mount 2.4GHz WiFi/WLAN Antenna

Return Loss



VSWR



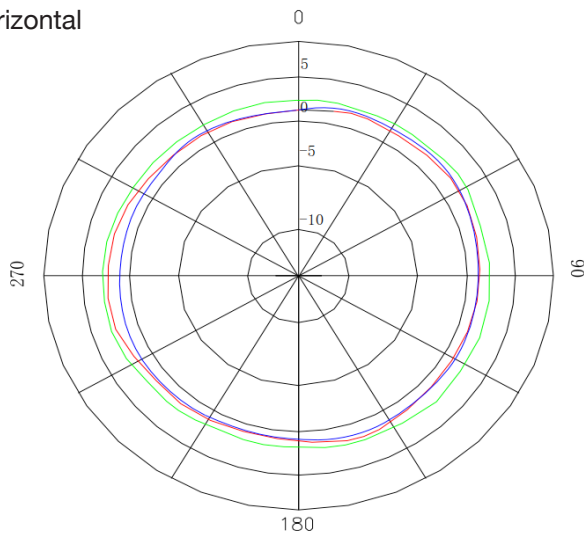


Tango 24

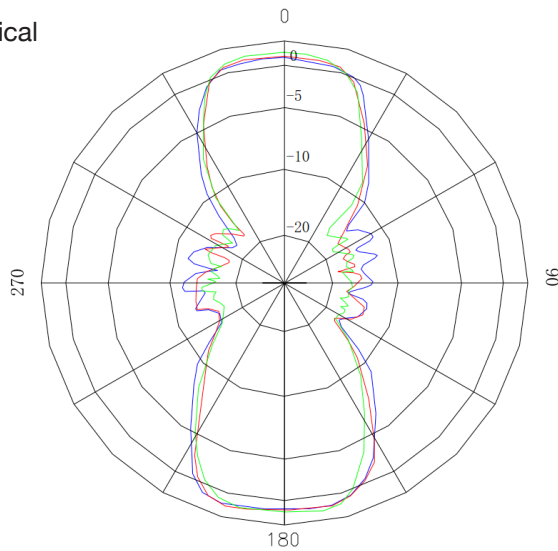
Through-hole mount 2.4GHZ WiFi/WLAN Antenna

Radiation Patterns

Horizontal



Vertical



Ordering Details

Part Number	Description
TANGO24/1M/SMAM/S/RP/17	Through-hole mount 2.4GHZ WiFi/WLAN Antenna