



## Alpha 4A

GPS Antenna



### Key Features

- Adhesive or magnetic mountable
- 26db LNA gain
- Waterproof
- Compact size

### General Description

The Alpha 4A is a compact, self adhesive, waterproof, GPS antenna. Its 37 x 33mm footprint allows the Alpha 4A to fit onto most surface sizes quite comfortably, and with a modest height of only 13mm, it also provides an unobtrusive profile. The Alpha 4A comes with a strong self-adhesive base that provides a firm fixation to most flat surfaces, including: metal, glass, wood and plastic. The antenna is well suited to the harsher outdoor environment that GPS applications are often subject to. The Alpha 4A can be used for a host of different indoor or outdoor GPS applications or general positioning purposes.

The built in Low Noise Amplifier (LNA) provides a 26dB gain for superior GPS performance necessary for strong signal reception from visible satellites; as well as influencing a shorter time for satellite fixing.

### Additional Considerations

- Waterproof design which makes it ideal for mounting outdoors
- Operates with GPS receivers with built in LNA circuit on board





## Alpha 4A

GPS Antenna

### Dielectric Antenna

Centre Frequency:	1575.42+1MHz
Polarization:	RHCP
Impedance:	50 Ohm
VSWR:	<1.5
Axial Ratio:	3dB Max

### GPS Antenna

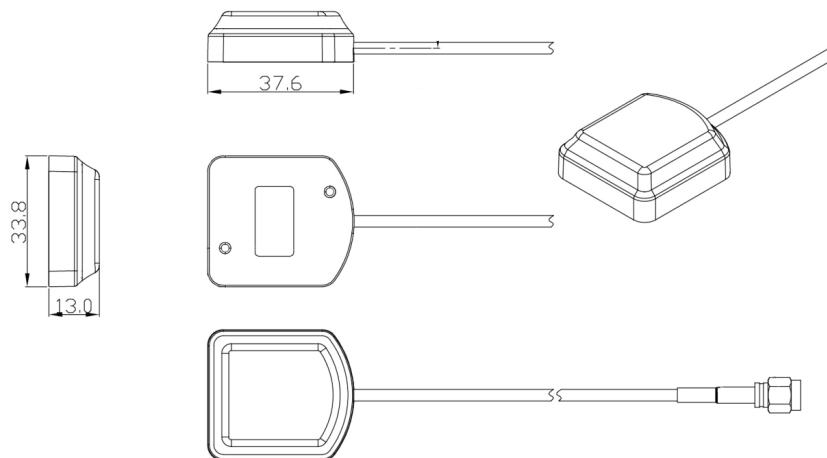
LNA Gain:	26dB
Noise Figure:	<1.3
VSWR:	<2.0
Filter Insertion Loss:	<3dB
Supply Voltage:	2.5 - 5V DC
Current Consumption:	10 - 26mA

### Mechanical Specifications

Dimensions:	L20 x W20 x H4mm
Cable:	RG174
Connector:	SMA Male
Material:	ABS
Mounting method:	Magnetic

### Environmental Specifications

Operating Temperature:	-40 to +85°C
Relative Humidity:	Up to 95%

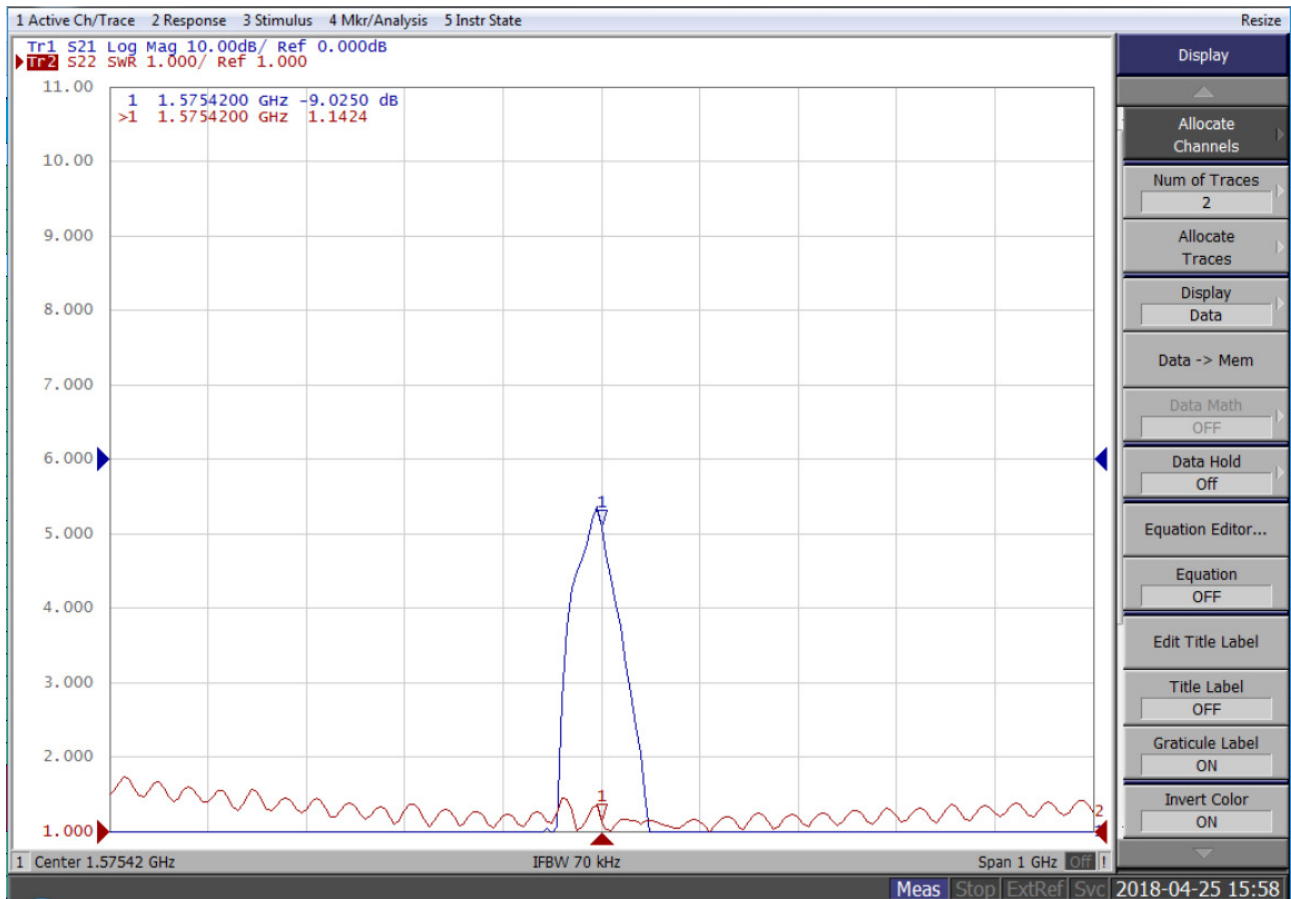




## Alpha 4A

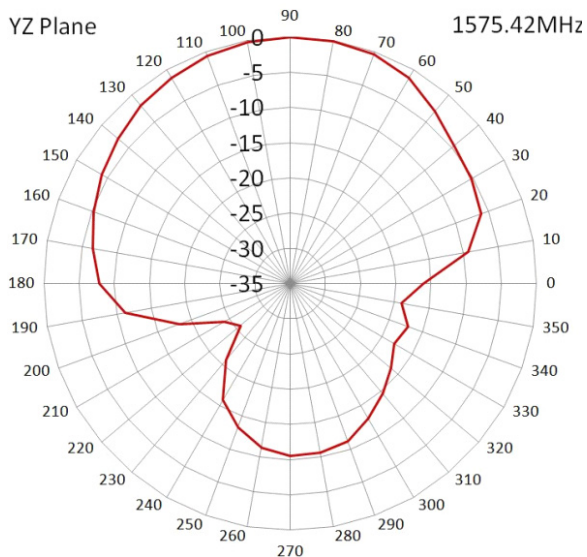
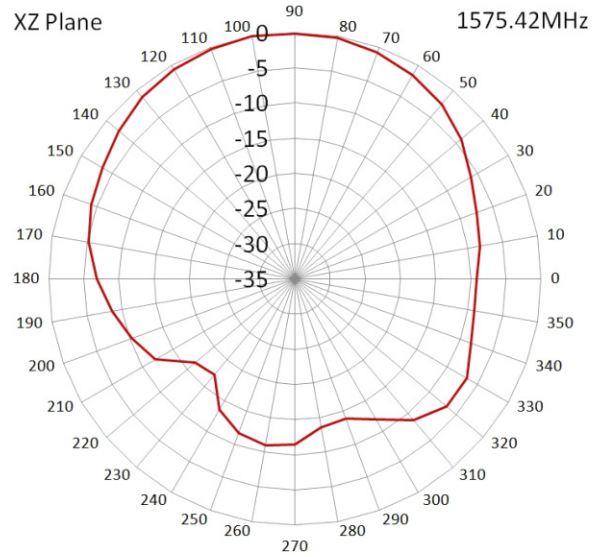
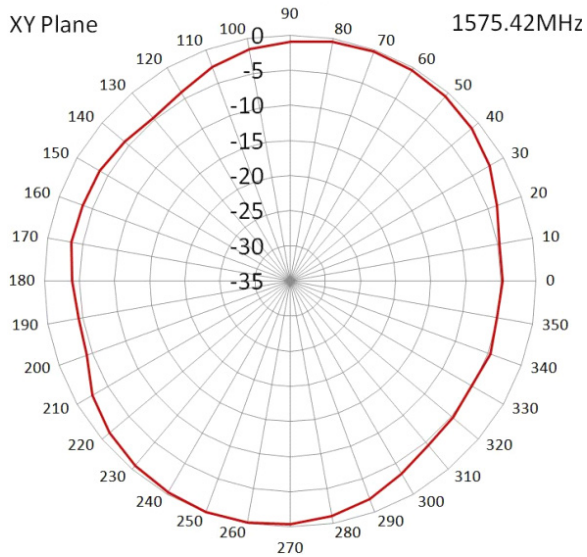
GPS Antenna

### Return Loss / VSWR





### Radiation Patterns



### Ordering Details

Part number	Description
ALPHA4A/1M/SMAM/S/S/26	GPS Antenna