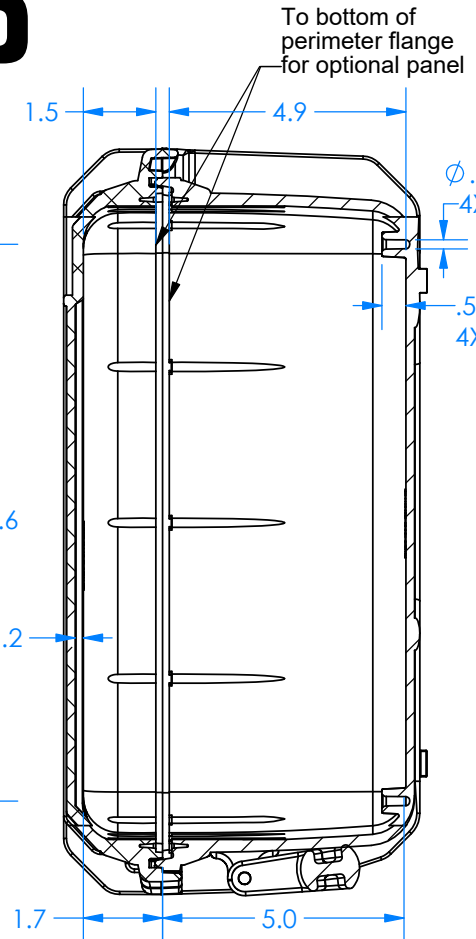
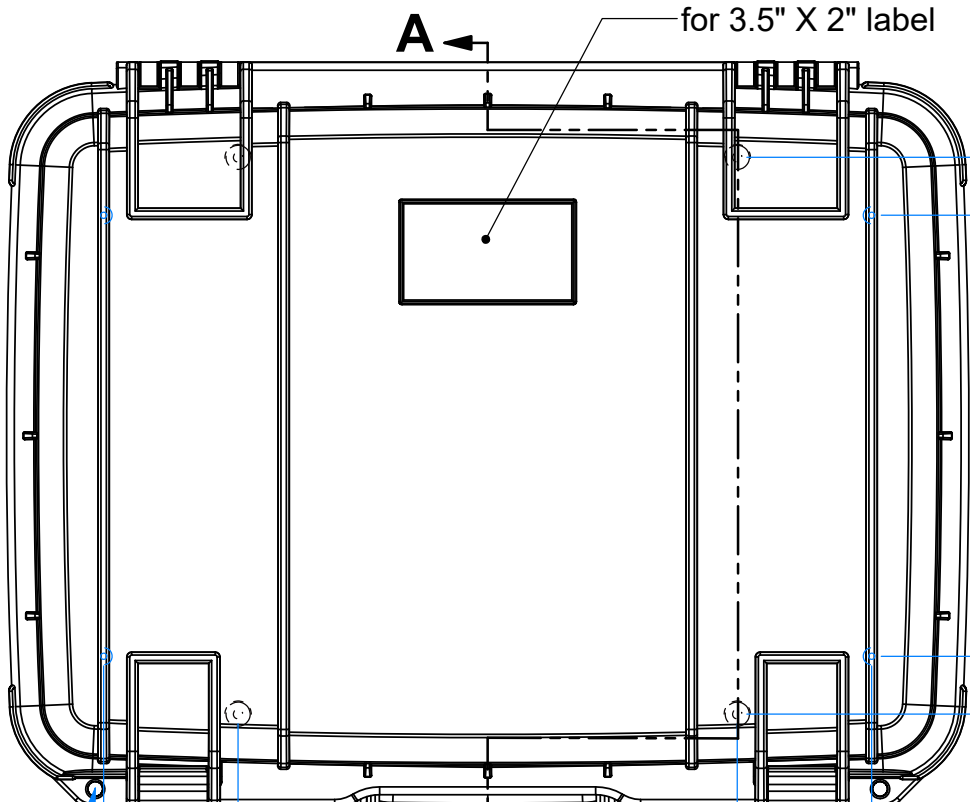


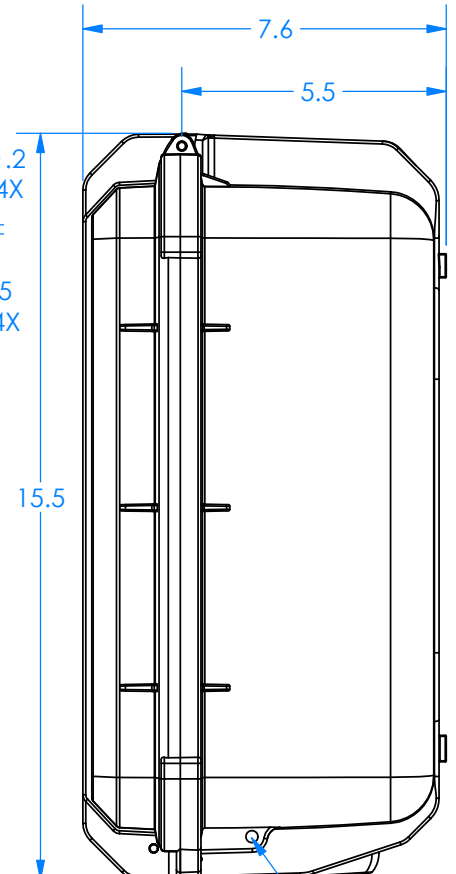
SERPAC

ELECTRONIC ENCLOSURES

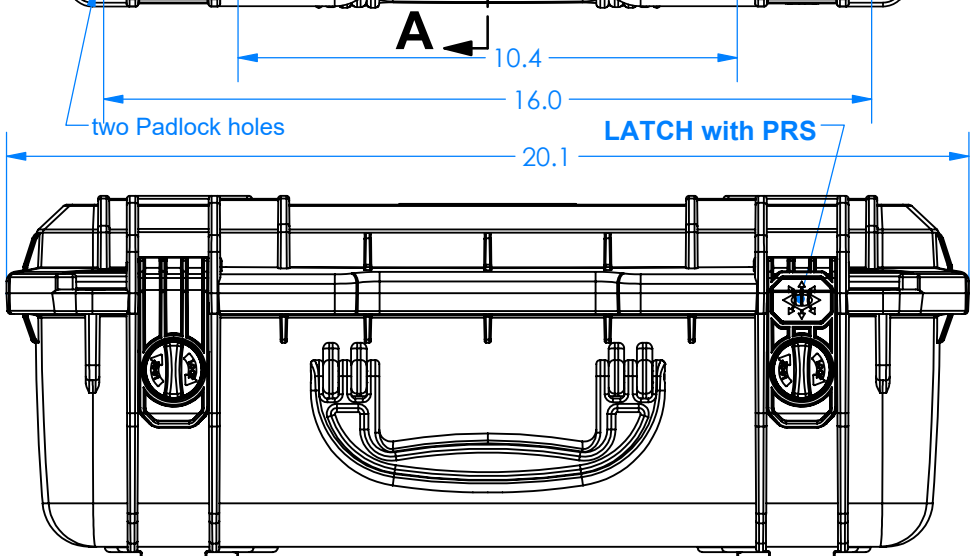
SE720



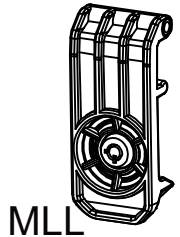
SECTION A-A



Holes for shoulder strap. PN 8704 (not included)

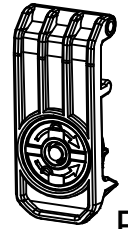


latch with metal lock



MLL

latch with plastic lock



PLL

Optional latches must be specified at time of order. See note 2

NOTES:

- 1) Max. usable inside dimensions are:
18 5/16" X 13 3/16" X 6 1/4" (top of boss)
(6 5/8" bottom of boss) (18.3" X 13.2" X 6.7")
- 2) With Metal Lock Latches p/n SE720ML and Plastic Lock Latches p/n SE720PL are optional.

6/23/14