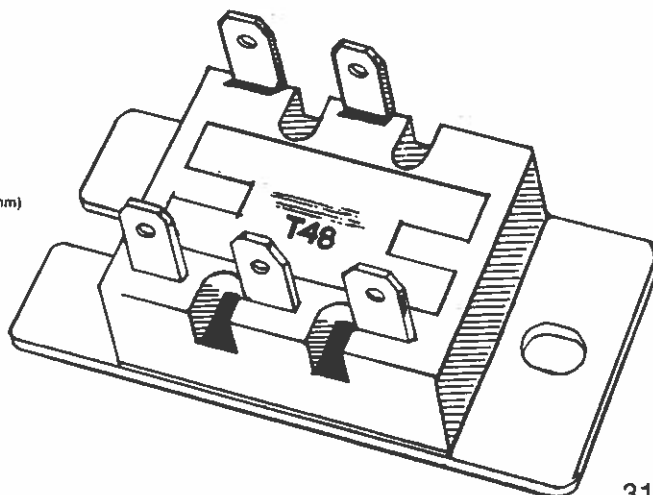
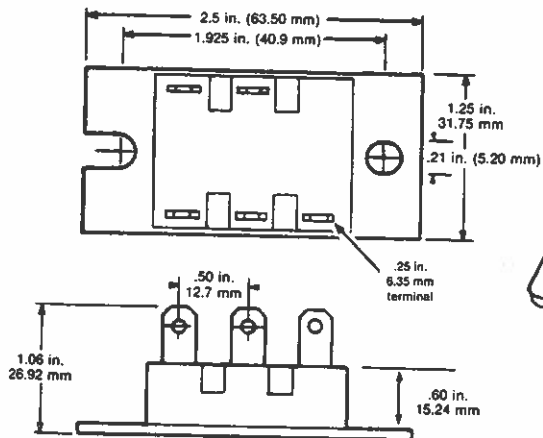
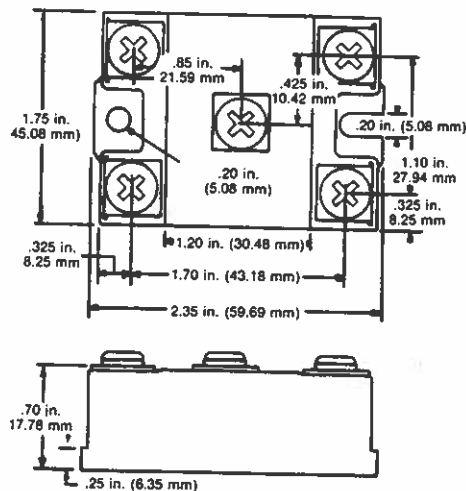
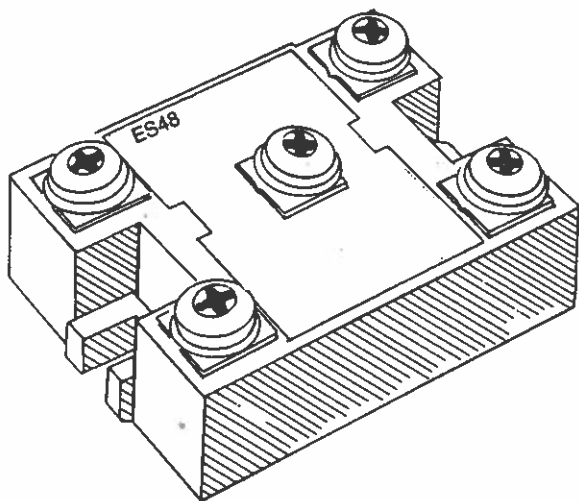


# ES48/58 & T48 Bridge Rectifier Circuits

Crydom's ES48/58 and T48 Bridge Rectifier Circuits offer all the advantages of a power hybrid process. This process guarantees low thermal resistance from the chip to the heat sink mounting plate. This process also offers a high surge capability.

Numerous circuits are available in the "48" series; Individual circuits with voltage suppressors are also available. All circuits are available with ratings to 1200 volt.



# ELECTRICAL SPECIFICATIONS

Series	48 & 58	T (48 only)	ES-48	ES-58
VPIV	Peak Inverse Voltage	200-1600	volts	
I <sub>T</sub> (DC)	Maximum output current (A) @ 75°C base temperature	16 50	50	100
I <sub>R</sub>	Reverse leakage @ 125°C at rated PIV	3	3	5
I <sub>TSM</sub>	Maximum (non-repetitive) surge per leg 8.3 ms	800	800	2000
I <sub>TSM</sub>	Maximum (repetitive) surge per leg	500	700	1500
V <sub>FM</sub>	Maximum peak forward voltage drop at 125°C	1.20V @50A	1.50V @80A	1.6V @125A
Hi Pot Test	Terminal to base	2.5KVDC	2.5KVDC	2.5KVDC
Θ-JB	Thermal resistance, chip to base	4°C/W Max.	.3°C/W Max.	.25°C/W Max.
	Temp Operating		-25°C + 125°C	
	Temp Storage		-25°C + 125°C	

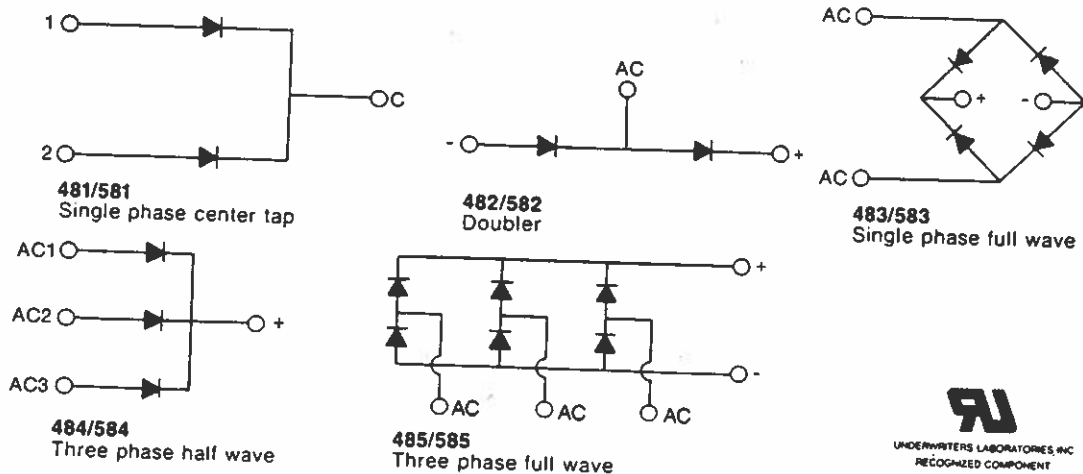
UL RECOGNIZED

SEE PAGE 101  
FOR MOUNTING REQUIREMENTS

## PART NUMBER IDENTIFICATION

Series	Type	Voltage	Example: SPFW 400V T483B
481/581	1 (SPCT)	A = 200	Option: Add "SE" for external suppressor.
482/582	2 (Doubler)	B = 400	
483/583	3 (SPFW)	C = 600	
484/584	4 (TPHW)	D = 800	
485/585	5 (TPFW)	E = 1000	G = 1400
		F = 1200	H = 1600

## ELECTRICAL SCHEMATICS



**UL**  
UNDERWRITERS LABORATORIES, INC.  
RECOGNIZED COMPONENT

PARAM
DC Outp
DC Outp
One-Cyc
I <sub>T</sub> for Fu
Reverse
Leakage
Forward
Isolation
Junction
Storage
Thermal
Thermal (Junction)
Case Styl

CIRC
S
T
D
C
C
TI
TI
NOTE: 'A