

3 PHASE FULL AND HALF WAVE BRIDGES

ABSOLUTE MAXIMUM RATINGS (@25°C UNLESS OTHERWISE SPECIFIED)

T.23-07

Device Type	Reverse Voltage	Average Forward Current						1 Cycle Surge Current tp=8.3ms	Reverse Recovery (3)	Forward Voltage		Reverse Current		Thermal Impedance	Case Outline
		(1)			(2)					V _f	@I _f	I _r	I _r		
		I _f (AV) @ T _{case}			I _f (AV) @ T _{amb}										
		55°C	100°C	125°C	25°C	55°C	100°C								
V _{RM}	Amps	Amps	Amps	Amps	Amps	Amps	Amps	nS	Volts	Amps	μA	μA	°C/W		

3 PH FULL WAVE BRIDGE

SET111404 ^A	400	45	33	24				150	150	1.5	3	3	60	0.5	G56
SET111411 ^A	150	45	33	24				175	30	1.1	30	1500			
SET111412 ^A	600	45	33	24				150	2000	1.2	3	60			
SET111423	500	30	24	18	—	—	—	150	50	1.6	30	1500	0.5	G56	
SC3BJ1	100	3.0	2.0	2.0	1.5	1.0	1.0	50	2000	1.10	3	75	6.0	G36	
SC3BJ4	400	3.0	2.0	2.0	1.5	1.0	1.0	50	2000	1.10					
SC3BJ05F	50	3.5	2.5	1.5	1.0	0.7	0.7	25	150	1.20					
SC3BJ2F	200	3.5	2.5		1.0			25	150						
SC3BJ6F	600	3.5	2.5		1.0			25	250		1.0		75		
SC3BJ10FF	100	3.1	1.8		1.1			35	30		1.5		150		
SC3BH05	50	10.0	7.0	5.0	4.0	3.0	1.7	150	2000	1.00	3.0		60	4.5	G35
SC3BH2	200	10.0	7.0	5.0	4.0	3.0	1.7		2000						
SC3BH6 ^F	600	10.0	7.0	5.0	4.0	3.0	1.7		2000						
SC3BH1F	100	9.0	6.3	4.5	3.0	2.2	1.2		150						
SC3BH4 ^F	400	9.0	6.3	4.5	3.0	2.2	1.2	150	150		3.0	3	60		
SC3BH10FF	100	12.0	9.0	7.5	4.0	3.0	1.7	175	30	0.97	5.0	30	1500		
SC3BA05	50	18.0	12.4	9.0	6.0	5.0	3.0	150	2000	1.00	3.0	3	60	2.5	G37
SC3BA2	200	18.0	12.4	9.0					2000	1.00			60		
SC3BA6 ^F	600	18.0	12.4	9.0					2000	1.00			60		
SC3BA1F	100	15.0	10.5	7.5					150	1.10			75		
SC3BA4 ^F	400	15.0	10.5	7.5				150	150	1.10	3.0	3	75		
SC3BA10FF	100	17.0	10.0	5.0				175	30	0.97	5.0	30	1500		
SC3B483-1 ^{BC}	200	25.0	18.5	9.25	8	6	4	150	2000	1.30	39	2	200	—	G119
SC3B483-2 ^{BC}	400	25.0	18.5	9.25	8	6	4	150	2000	1.30	39	2	200	—	G119
SC3B483-3 ^{BC}	600	25.0	18.5	9.25	8	6	4	150	2000	1.30	39	2	200	—	G119

NOTES:

Operating and Storage Temperature Ranges are -55°C to +150°C unless otherwise indicated.

(A) Operating and Storage Temperature Range -55°C to +175°C.

(B) Operating and Storage Temperature Range -65°C to +150°C.

(C) Available as JTX to MIL-S-19500/483.

(F) These devices are available in Europe to F and FX levels.

(1) Ratings at Case Temperature T_c.

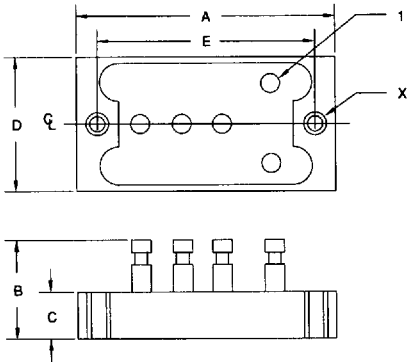
(2) Ratings at Ambient Temperature T_{amb}.

(3) Measured on discrete devices prior to assembly.

G35

DIM "	MM		INCHES		NOTE
	MIN	MAX	MIN	MAX	
A	31.0	32.5	1.22	1.28	-
B	-	12.7	-	.50	-
C	5.6	7.1	.22	.28	-
D	18.3	19.8	.72	.78	-
E	26.7	27.2	1.05	1.07	-
X	4-40 UNC-2B THRU (2 PLCS)				-

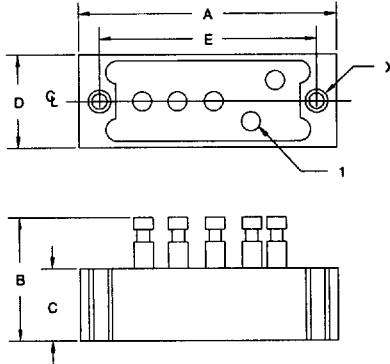
NOTES:
1 POSITIVE TERMINAL



G36

DIM "	MM		INCHES		NOTE
	MIN	MAX	MIN	MAX	
A	31.0	32.5	1.22	1.28	-
B	-	15.2	-	.60	-
C	8.6	9.5	.34	.37	-
D	10.9	11.9	.43	.47	-
E	26.7	27.2	1.05	1.07	-
X	4-40 UNC-2B THRU (2 PLCS)				-

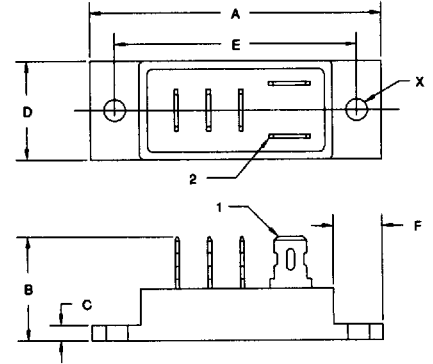
NOTES:
1 POSITIVE TERMINAL



G37

DIM "	MM		INCHES		NOTE
	MIN	MAX	MIN	MAX	
A	56.4	57.9	2.22	2.28	-
B	-	20.3	-	.80	-
C	2.3	3.8	.09	.15	-
D	18.3	19.8	.72	.78	-
E	46.7	48.3	1.84	1.90	-
F	8.6	10.2	.34	.40	-
X	3.6	5.1	.14	.20	-

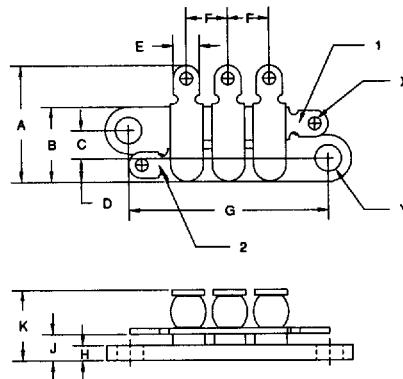
NOTES:
1. .25" FASTON TERMINALS
2 POSITIVE TERMINAL



G56

DIM "	MM		INCHES		NOTE
	MIN	MAX	MIN	MAX	
A	15.2	18.0	.60	.83	-
B	10.0	10.4	.39	.41	-
C	3.68	3.94	.145	.155	-
D	3.0	3.3	.12	.13	-
E	3.3	3.8	.13	.15	-
F	5.3	6.1	.21	.24	-
G	26.9	27.2	1.06	1.07	-
H	1.8	2.3	.07	.09	-
J	3.3	4.1	.13	.16	-
K	8.1	9.7	.32	.38	-
X	1.5	2.0	.06	.08	DIA
Y	3.60	3.71	.142	.146	DIA

NOTES:
1 POSITIVE TERMINAL - RED DOT
2 NEGATIVE TERMINAL - BLACK DOT



G119

LTR	INCH			LTR	INCH		
	MIN	MAX			MIN	MAX	
A	.730	.770		L1	.240	.320	
B	.355	.395		L2	.015	.030	
C	.355	.395		L3	.100	.125	
D1	.141	.151		M	.040	.060	
D2	.108	.118		N	.72	.78	
E	.355	.395		□	.184	.190	
F	.230	.270		P	2.22	2.28	
G	.149	.189		R	.09	.15	
H	.355	.395		S	.168	.208	
J		.82		T	1.47	1.53	
K	.39	.51					

NOTES:
1 TERMINALS SHALL BE TINNED.
2 POLARITY SHALL BE MARKED AS SHOWN ON DRAWING
3 POINT AT WHICH T_C IS READ (SHALL BE IN METAL PART OF CASE)

