



Water Flow Sensor YF-B2

SKU 114991172

It consists of a copper body, a water rotor, and a hall-effect sensor. When water flows through the rotor, rotor rolls. Its speed changes with different rate of flow. The hall-effect sensor outputs the corresponding pulse signal.

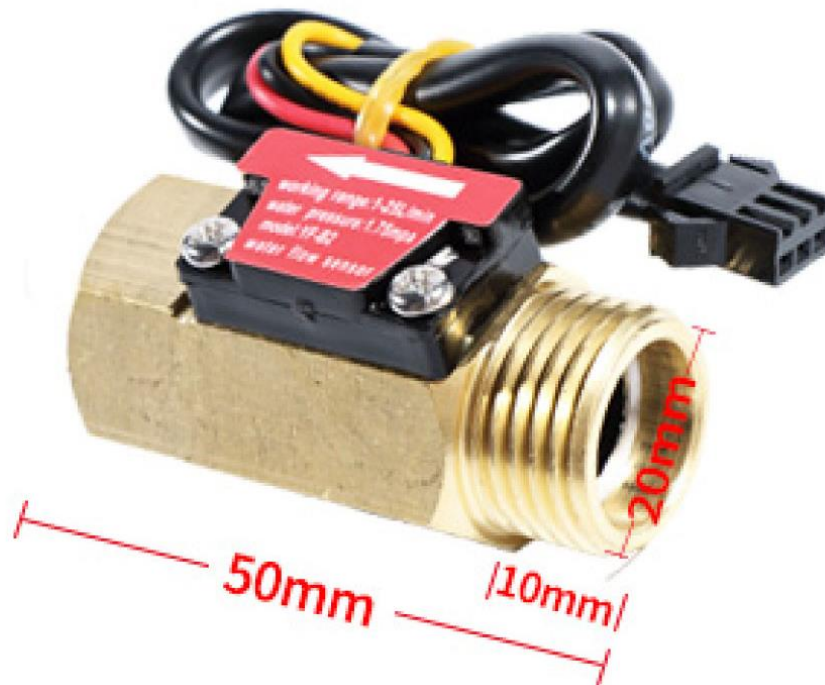
Water flow sensor consists of a copper body, a water rotor, and a hall-effect sensor. When water flows through the rotor, rotor rolls. Its speed changes with different rate of flow. The hall-effect sensor outputs the corresponding pulse signal. This one is suitable to detect flow in water dispenser or coffee machine.

Life is longer than plastic body.

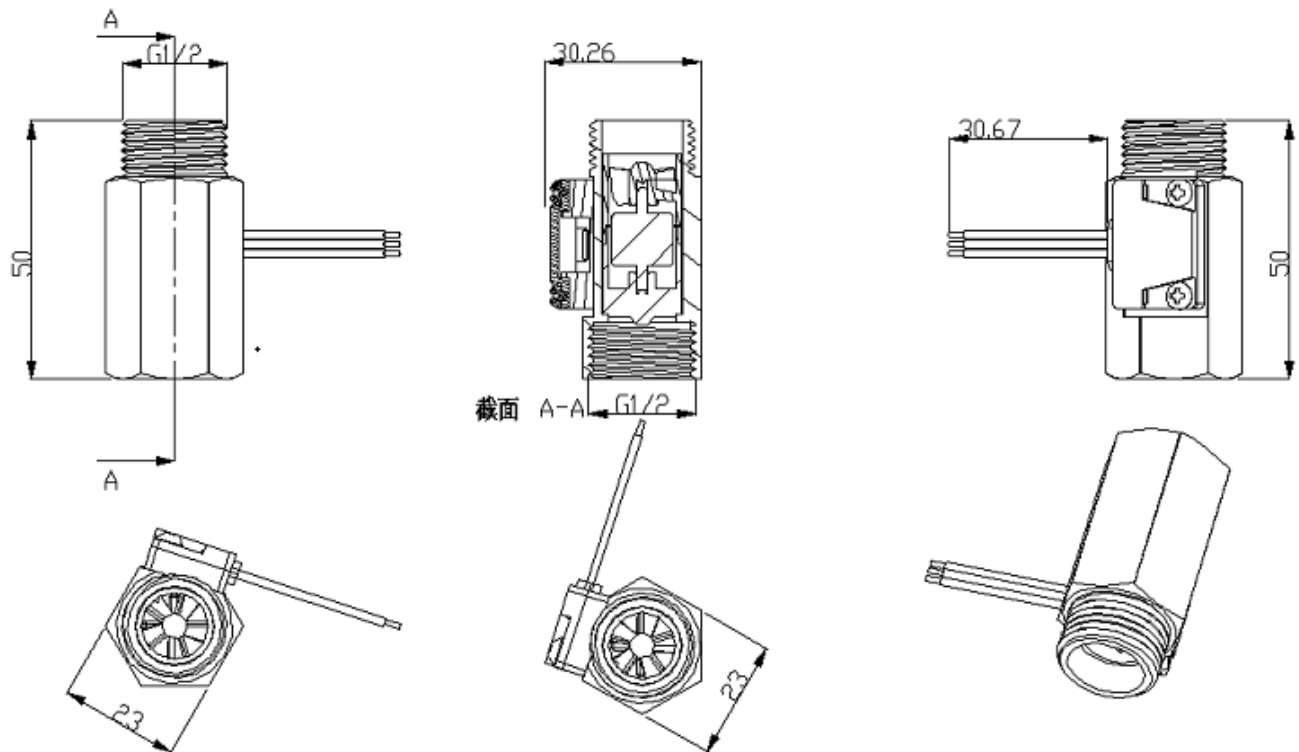
Features

- Compact, Easy to Install
- High Sealing Performance
- High Quality Hall Effect Sensor
- RoHS Compliant

DN15 inlet thread on the outside,
outlet thread on the inside



Part List



1 x YF-B2 water flow sensor

Technical details

Dimensions	0mm x0mm x0mm
Weight	G.W 99g
Battery	Exclude
Mini. Working Voltage	DC 4.5V
Max. Working Current	15mA (DC 5V)
Working Voltage	DC 5V~15V
Flow Rate Range	1~25L/min
Frequency	$F=(11*Q)Q=L/MIN\pm 3\%$
Load Capacity	$\leq 10\text{mA}$ (DC 5V)
Operating Temperature	0 ~ 80°C
Liquid Temperature	$\leq 120^\circ\text{C}$
Operating Humidity	35%~90%RH

Water Pressure	≤1.75MPa
Storage Temperature	-25~+ 80°C
Storage Humidity	25%~95%RH
Interface Dimensions	G1/2Inch
Error Range	(1~30L\MIN) ±3%
Material Description	H57Copper+POM
Output Pulse High Level	>DC 4.7V (Input Voltage DC5V)
Output Pulse Low Level	<DC 0.5V (Input Voltage DC5V)
Output Pulse Duty Cycle	50%±10%

Part List

Water Flow Sensor YF-B2	1
-------------------------	---

ECCN/HTS

HSCODE	9026100000
USHSCODE	90261060



<https://www.seeedstudio.com/Water-Flow-Sensor-YF-B2-p-2879.html>/2/21/20