

## Raspberry PI B+ Case



The acrylic case is used for raspberry pi B+, It's made of acrylic sheet. manufacture by laser cutting, CNC milling, and hot bending. almost all handmade, Looks very compact and beautiful, Only 4 pieces sheets in total, so easy to assembled. It's strong enough, not easy break like other 6 acrylic sheets case. In the box rounded corners and beveled edges .you will feel very comfortable when you hold it.



## Feature

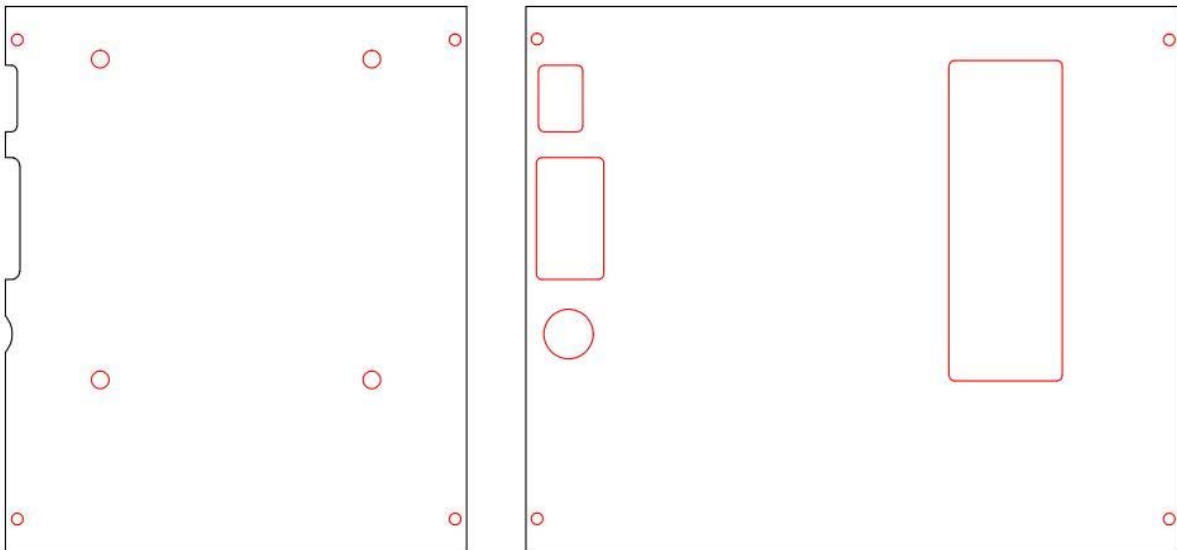
- Simple structure
- Easy to assemble
- Compact appearance

## How to made the case about seedstudio

It's different from the others case just like 6-acrylic sheets laser cutting case and injection model. Although it's cheap and fast made, But maybe some people think it no personality. Now,there is a case for Raspberry PI B+ is out of the common, it's designed by seedstudio engineer. It's not made by large scale way just like injection model and simple laser cutting. Made the case requires 3 kinds of production process——laser cutting ,CNC milling and hot bending. all the processes are suitable for small scale project.

### The first process——Laser Cutting

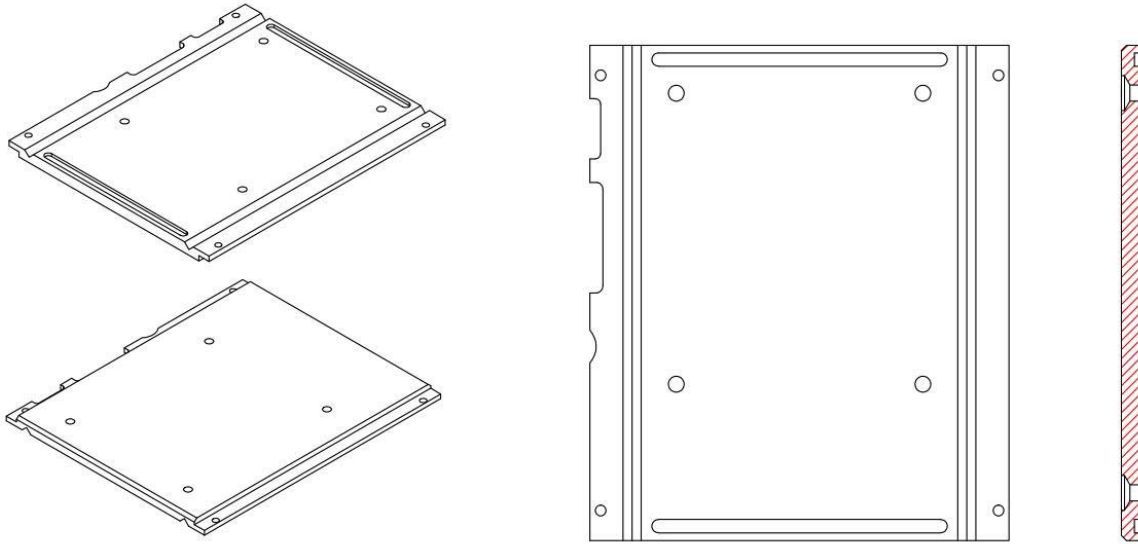
We should cutting it by laser cutting machine, It's cheap and fast.



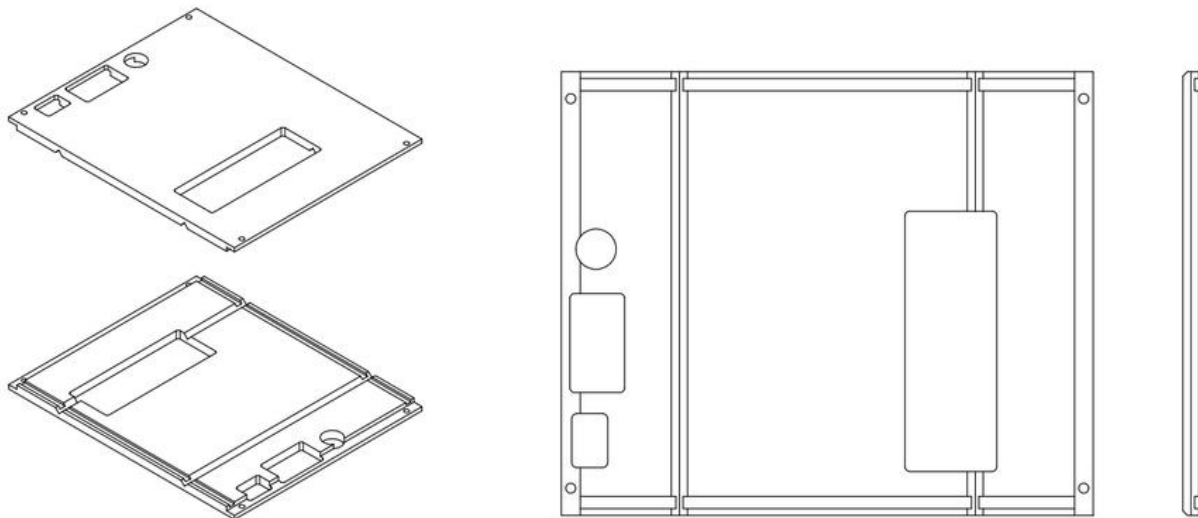
## Laser cutting drawing

## The second process—CNC milling

After laser cutting you we should cutting some structure let it easy assembly and bending.



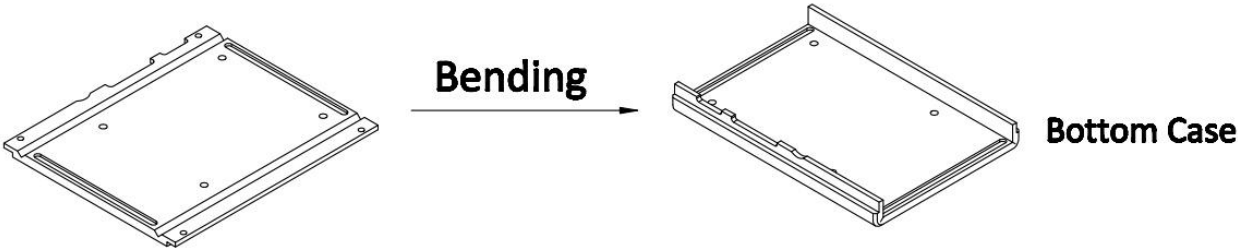
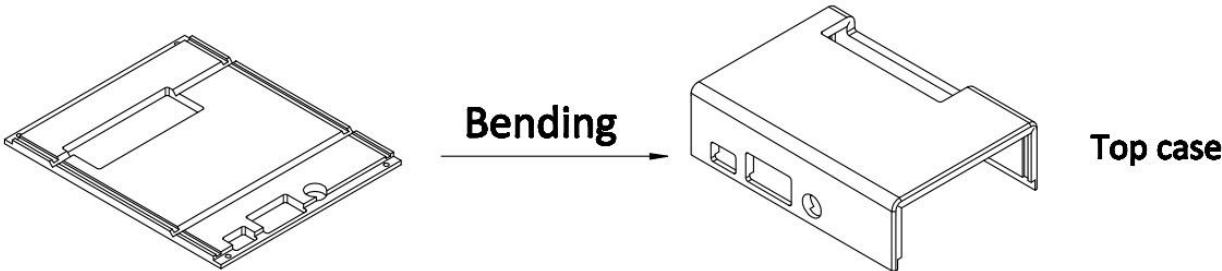
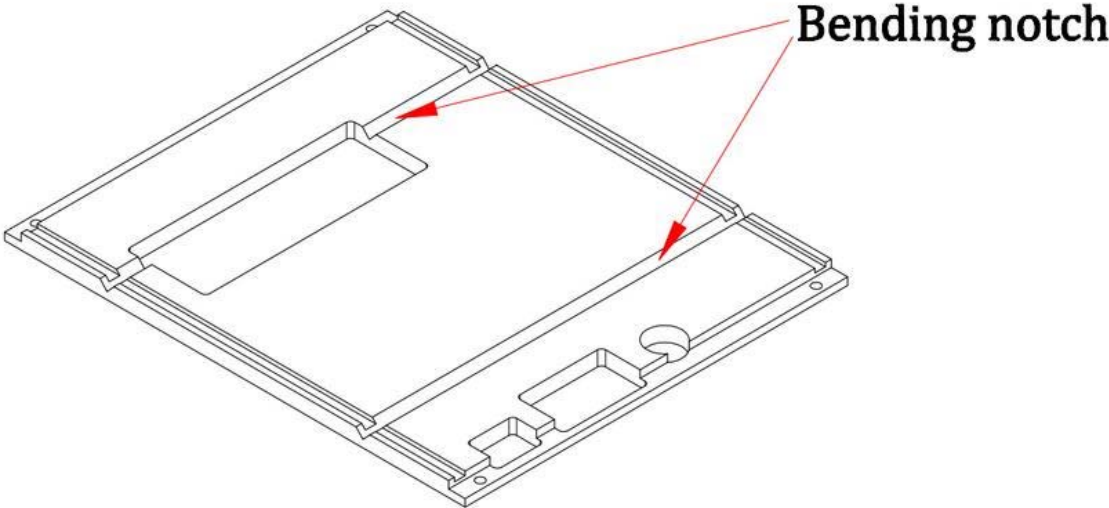
## Bottom case CNC milling



## Top case CNC milling

### The third process—hot bending

The last process is hot bending, We can use the heater heating the acrylic notch which is machined by CNC milling machine.

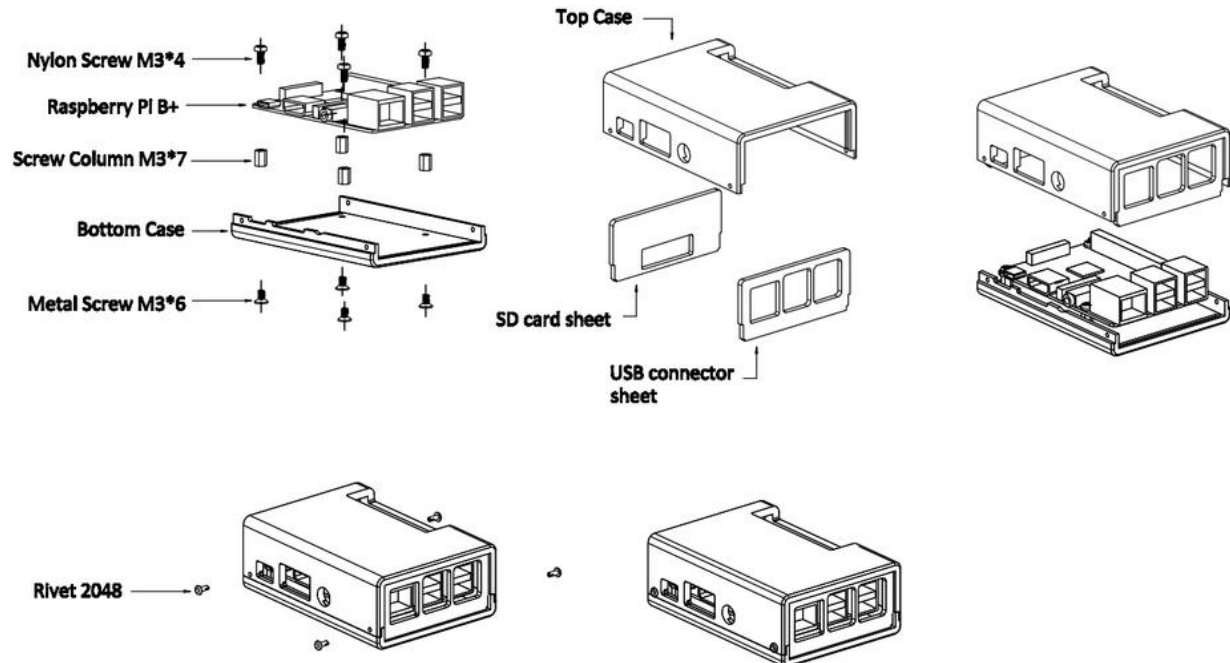


After you know the 3 processes maybe you can understand why we said it's out of the common.



## Usage

Assembly diagram is as follows:



Part	Package	Qty
Top Case	4mm Thickness	1
Bottom Case	4mm Thickness	1
SD Card Sheet	2.5mm Thickness	1
USB Connector Sheet	2.5mm Thickness	1
Metal Screw	M3*4	4
Nylon Screw	M3*6	4
Screw Column	M3*7	4
Nylon Rivet	R2048	4
Silicone Cushion	Ø10X3	4

## Tech Support

Please submit any technical issue into our forum.