

3M™ Static Shielding Bag SCC 1000

Static Shielding Bag ~ Metal-In

This transparent, metallized static shield bag provides a static safe environment for sensitive electronic devices. Four layer construction. Polyester dielectric and metal layer provide Faraday effect shielding of ESD and fields. Tribocharging is minimized by the specially processed polyethylene. Flat and zipper closure styles. Coded for QC traceability. These bags are tested to meet or exceed certain electrical and physical requirements of ANSI/ESD S541, EIA 625, and to be ANSI/ESD S20.20 program compliant.



Specifications

Electrical Properties:	Typical Values	Test Method*
Surface Resistivity / Resistance	ASTM D257	or ANSI/ESD STM11.11
Interior	<10 ¹² ohms/square	or <10 ¹¹ ohms
Exterior	<10 ¹² ohms/square	or <10 ¹¹ ohms
Metal	100 ohms	
Static Shielding	< 30 volts	EIA 541
Static Shielding	< 10 nJ	ANSI/ESD STM11.31
Static Decay	< 0.05 seconds	MIL-STD-3010 4046
Charge Generation		
PTFE	0.09 nC/sq.in.	Modified Inclined Plane
Quartz	0.01 nC/sq.in.	
Physical Properties:		
Tensile Strength	4700 PSI	ASTM D 882
Seam Strength	> 10 lbs	ASTM D 882
Light Transmission	40 %	Tobias
Heat Sealing Conditions		
Temperature	250°F - 375° F	
Time	0.5 - 3.5 seconds	
Pressure	30 - 70 PSI	
Thickness	3 mils	MIL-STD-3010 1003
Silicone or Amine Content	Not detected	FTIR

Material Structure

SCC 1000 open top and ZipTop static shielding bags are manufactured from industry approved Polyester/Metal/Polyethylene laminates. The polyester dielectric in concert with the metal layer provide Faraday Effect shielding of an Electrostatic Discharge (ESD). The metal layer prevents the penetration of damaging electrostatic fields. Tribocharging is minimized by the specially processed polyethylene.

STATIC DISSIPATIVE COATING
POLYESTER
ALUMINUM SHIELD
STATIC DISSIPATIVE
POLYETHYLENE

Important Notice

All statements, technical information, and recommendations related to 3M's products are based on information believed to be reliable, but the accuracy or completeness is not guaranteed. Before using this product, you must evaluate it and determine if it is suitable for your intended application. You assume all risks and liability associated with such use. Any statements related to the product which are not contained in 3M's current publications, or any contrary statements contained on your purchase order shall have no force or effect unless expressly agreed upon, in writing, by an authorized officer of 3M.

Warranty; Limited Remedy; Limited Liability.

This product will be free from defects in material and manufacture for one year from the date of purchase. **3M MAKES NO OTHER WARRANTIES INCLUDING, BUT NOT LIMITED TO, ANY IMPLIED WARRANTY OF MERCHANTABILITY OR FITNESS FOR A PARTICULAR PURPOSE.** If this product is defective within the warranty period stated above, your exclusive remedy shall be, at 3M's option, to replace or repair the 3M product or refund the purchase price of the 3M product. **Except where prohibited by law, 3M will not be liable for any indirect, special, incidental or consequential loss or damage arising from this 3M product, regardless of the legal theory asserted.**

*This product is not on the Qualified Product Listing under the Defense Standardization Program.

See 3M Data Sheets for these related items:
Static Warning Labels
Heat Sealer

P R O D U C T D A T A S H E E T

SCC 1000 Static Shielding Bag METAL-IN

PRODUCT STATIC SHIELDING BAG, OPEN TOP AND ZIPTOP	ITEM NUMBER 100(W")(L")	DATASHEET 1100-A 98-0799-1068-7
---	-------------------------------------	--

3M Electronic Solutions Division
6801 River Place Blvd
Austin, TX 78726-9000
US and Canada: 866-722-3736
Fax: 866-722-3735
Intl: 919-718-0000; Fax: 919-774-8174
email: 3Mstaticinfo@mmm.com; www.3Mstatic.com

3M is a trademark of 3M Company.
All other trademarks herein are the property of their respective owners.



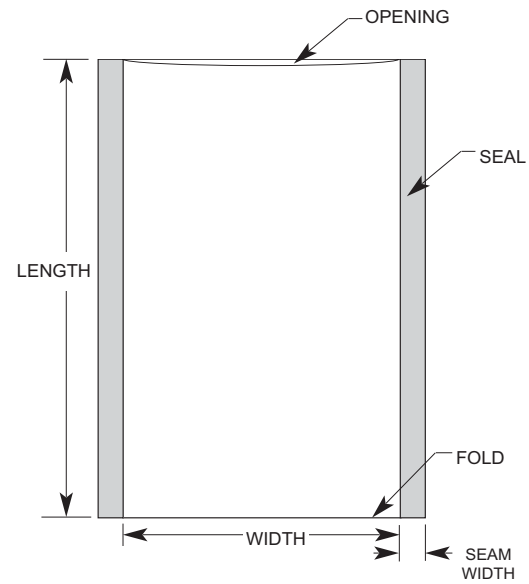
3M™ Static Shielding Bag SCC 1000

Open Top Static Shielding Bag ~ Metal-In

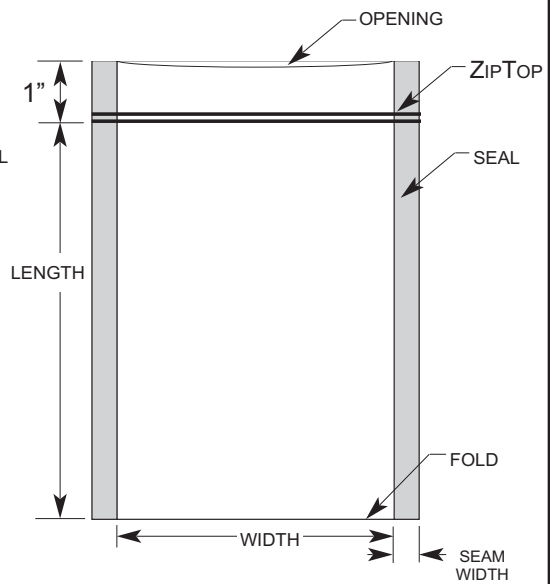
W"x L"	P/N	W"x L"	P/N	W"x L"	P/N
2 x 3	10023	7 x 8	10078	12 x 18	1001218
2 x 4	10024	7 x 10	100710	12 x 24	1001224
2 x 6	10026	7 x 11	100711	12 x 25	1001225
3 x 5	10035	7 x 15	100715	12 x 30	1001230
4 x 4	10044	7 x 16	100716	14 x 16	1001416
4 x 6	10046	8 x 8	10088	14 x 18	1001418
4 x 8	10048	8 x 10	100810	14 x 20	1001420
4 x 24	100424	8 x 12	100812	14 x 30	1001430
4 x 26	100426	8 x 14	100814	15 x 18	1001518
4 x 30	100430	8 x 16	100816	16 x 18	1001618
5 x 6	10056	8 x 18	100818	16 x 20	1001620
5 x 7	10057	8 x 24	100824	16 x 24	1001624
5 x 8	10058	8 x 30	100830	16 x 30	1001630
5 x 10	100510	9 x 12	100912	18 x 18	1001818
6 x 8	10068	10 x 12	1001012	18 x 20	1001820
6 x 9	10069	10 x 14	1001014	18 x 24	1001824
6 x 10	100610	10 x 16	1001016	18 x 30	1001830
6 x 12	100612	10 x 18	1001018	20 x 20	1002020
6 x 14	100614	10 x 24	1001024	20 x 24	1002024
6 x 16	100616	10 x 26	1001026	22 x 24	1002224
6 x 18	100618	10 x 30	1001030	24 x 24	1002424
6 x 24	100624	11 x 14	1001114	24 x 30	1002430
6 x 26	100626	11 x 15	1001115	24 x 36	1002436
6 x 30	100630	12 x 12	1001212	30 x 24	1003024
6.5 x 10	1006.510	12 x 14	1001214		
6.5 x 16	1006.516	12 x 16	1001216		

- All standard sizes in-stock/same day shipment.
- Width is measured from inside seam to inside seam.
- Length is measured from the top edge to the bottom fold.
- Opening is in the "width" dimension.
- Custom bag sizes, custom printing, and custom hot stamping are available.
- Most sizes are packed 100 per case.
Small sizes are packed 1000 or 500 per case.

3M SCC 1000 Open Top



3M SCC 1000 ZipTop



3M™ Static Shielding Bag SCC 1000 ZipTop™

Recloseable Static Shielding Bag ~ Metal-In

W"x L"	P/N	W" x L"	P/N	W" x L"	P/N
2 x 3	30023	6 x 24	300624	11 x 15	3001115
3 x 3	30033	6 x 30	300630	12 x 12	3001212
3 x 5	30035	7 x 15	300715	12 x 16	3001216
4 x 4	30044	8 x 8	30088	12 x 18	3001218
4 x 6	30046	8 x 10	300810	14 x 18	3001418
4 x 8	30048	8 x 12	300812	15 x 18	3001518
4 x 24	300424	9 x 12	300912	16 x 24	3001624
4 x 30	300430	10 x 10	3001010	18 x 18	3001818
5 x 8	30058	10 x 12	3001012	18 x 24	3001824
5 x 10	300510	10 x 14	3001014	20 x 24	3002024
6 x 8	30068	10 x 24	3001024	24 x 24	3002424
6 x 10	300610	10 x 30	3001030		

P R O D U C T D A T A S H E E T

SCC 1000 Static Shielding Bag METAL-IN

PRODUCT STATIC SHIELDING BAG, OPEN TOP AND ZIPTOP	ITEM NUMBER 100(W")(L")	DATASHEET 1100-A 98-0799-1068-7
---	-----------------------------------	--

3M Electronic Solutions Division
 6801 River Place Blvd
 Austin, TX 78726-9000
 US and Canada: 866-722-3736
 Fax: 866-722-3735
 Intl: 919-718-0000; Fax: 919-774-8174
 email: 3Mstaticinfo@mmm.com; www.3Mstatic.com

3M is a trademark of 3M Company.
 All other trademarks herein are the property
 of their respective owners.



© 3M 2011. All rights reserved.