

Accessories to TA45



See below:
[Approvals and Compliances](#)

Description

- Covers for IP54 or IP65
- Locking device
- Flat gaskets
- Raised collar

Weblinks

[pdf data sheet](#), [html datasheet](#), [General Product Information](#), [Distributor-Stock-Check](#), [Detailed request for product](#), [Product News](#)

Approvals and Compliances

Detailed information on product approvals, code requirements, usage instructions and detailed test conditions can be looked up in [Details about Approvals](#)

SCHURTER products are designed for use in industrial environments. They have approvals from independent testing bodies according to national and international standards. Products with specific characteristics and requirements such as required in the automotive sector according to IATF 16949, medical technology according to ISO 13485 or in the aerospace industry can be offered exclusively with customer-specific, individual agreements by SCHURTER.


Application standards

Application standards where the product can be used

Organization	Design	Standard	Description
	Designed for applications acc.	IEC/UL 62368-1	IEC 62368-1 includes the basic requirements for safety of audio, video, information technology and office equipment.

Compliances

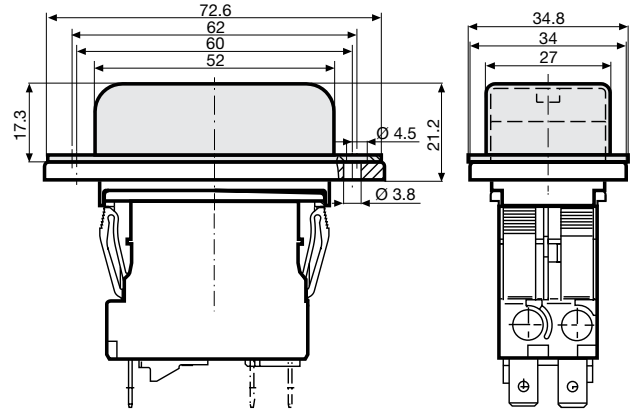
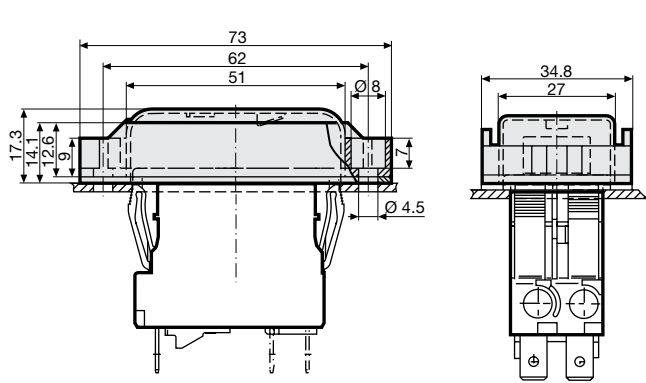
The product complies with following Guide Lines

Identification	Details	Initiator	Description
	REACH	SCHURTER AG	On 1 June 2007, Regulation (EC) No 1907/2006 on the Registration, Evaluation, Authorization and Restriction of Chemicals 1 (abbreviated as "REACH") entered into force.

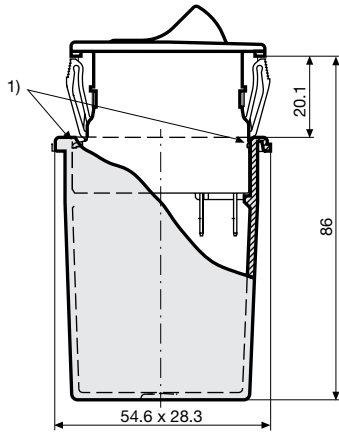
Dimension [mm]

AZZ04

AZZ05

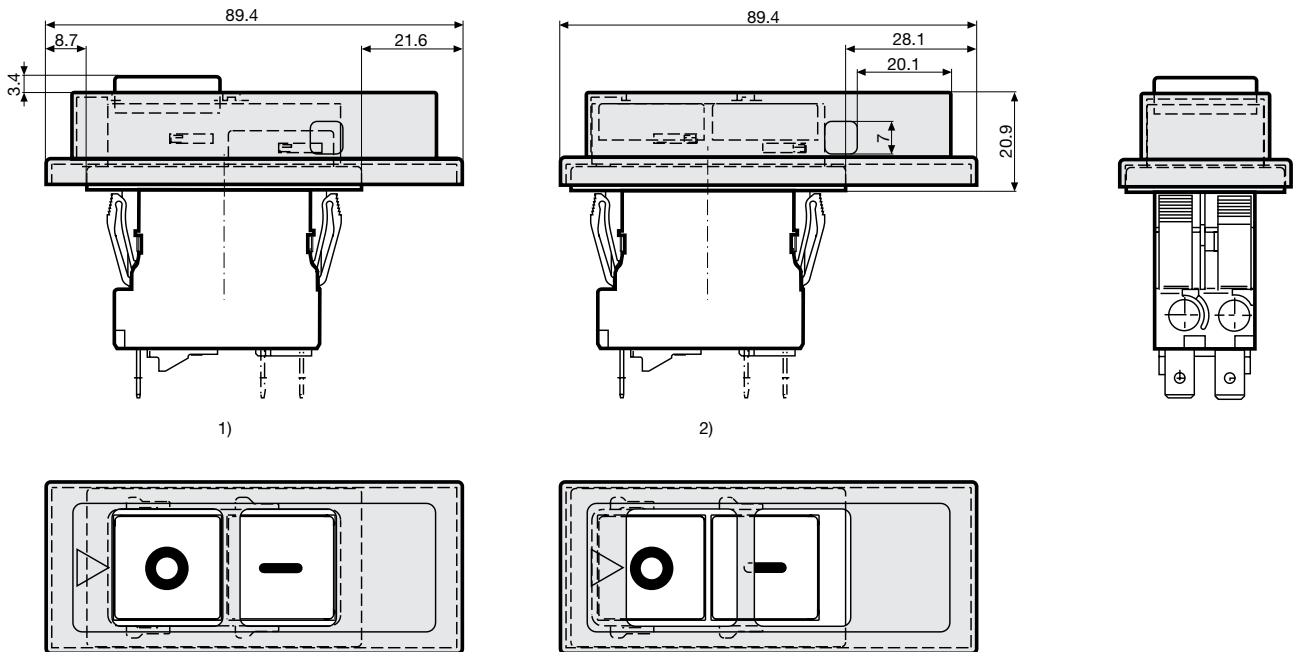


AZZ51



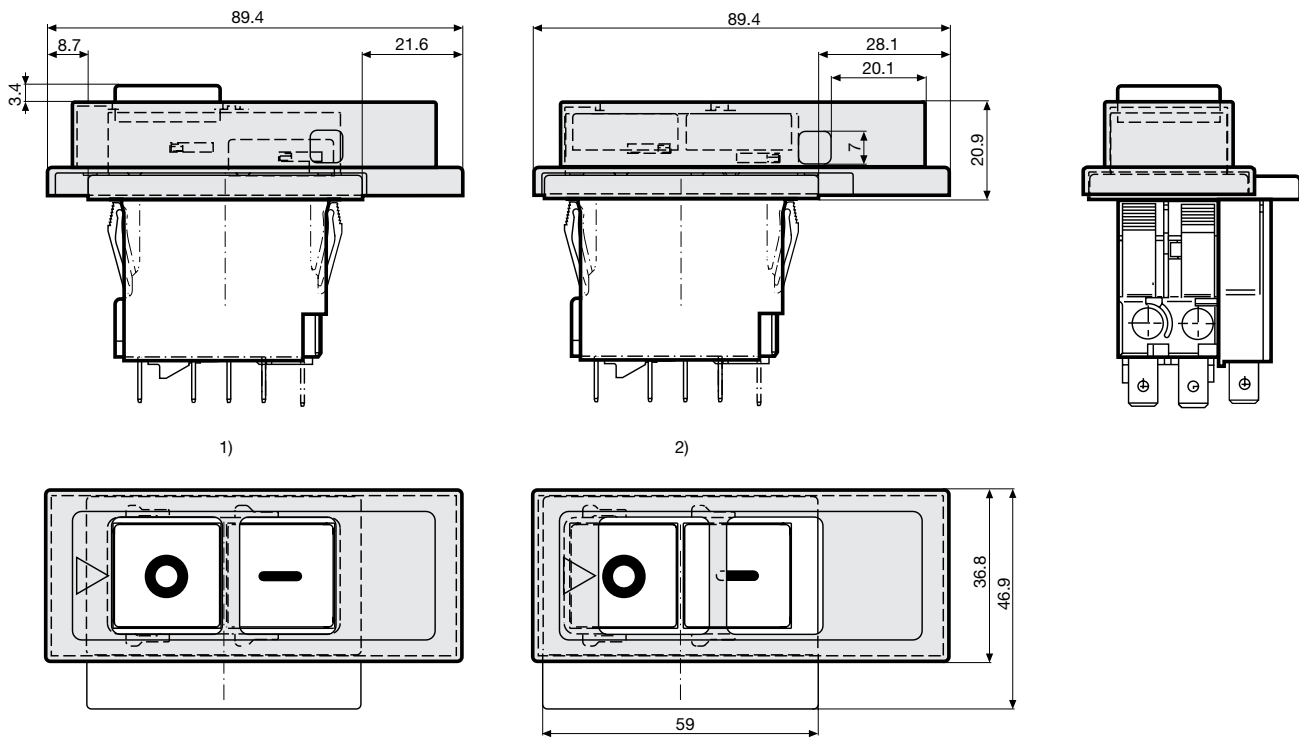
Snap-on fastener

AZZ71 / AZZ72



- 1) CBE switchable
- 2) CBE not switchable

AZZ81 / AZZ82



- 1) CBE switchable
- 2) CBE not switchable

All Variants

Suitable for	Type	Designation	Poles	Degree of Protection	Mounting	Order Number
TA45-2P, TA45-3P, TA45-2PU, TA45-3PU, TA45-2PA, TA45-3PA, TA45-2PAU, TA45-3PAU	CBE TA45-AZZ63	Flat gasket for screw-on type	2 or 3 pole	IP54	-	4430.0439
TA45-2P, TA45-2PU	CBE TA45-AZZ61	Flat gasket	2-pole	IP54	Snap-in version	4430.0499
TA45-3P, TA45-3PU, TA45-2PA, TA45-3PA, TA45-2PAU, TA45-3PAU	CBE TA45-AZZ62	Flat gasket	2 or 3 pole	IP54	Snap-in version	4430.0502
TA45-2P, TA45-2R, TA45-2PU, TA45-2RU	CBE TA45-AZZ51	Rear cover	2-pole	IP40	Snap-in or flange mounted	4430.0519
TA45-2R, TA45-2RU, TA45-2RA, TA45-2RAU	CBE TA45-AZZ31	Flat gasket	2-pole	IP54	-	4430.0685
TA45-2R, TA45-2RU, TA45-2RA, TA45-2RAU	CBE TA45-AZZ04	Screw-on collar with cover, 2 pole	2-pole	IP65	-	4430.0695
TA45-2P, TA45-3P, TA45-2PU, TA45-3PU, TA45-2PA, TA45-3PA, TA45-2PAU, TA45-3PAU	CBE TA45-AZZ05	Screw-on cover	2 or 3 pole	IP65	Flange type	4430.0835
TA45-2P, TA45-2PU	CBE TA45-AZZ71	Locking device black, safety-lock type	2-pole	-	Snap-in version	4430.1625
TA45-2P, TA45-2PU	CBE TA45-AZZ72	Locking device yellow, safety-lock type	2-pole	-	Snap-in version	4430.2074
TA45-3P, TA45-3PU, TA45-2PA, TA45-3PA, TA45-2PAU, TA45-3PAU	CBE TA45-AZZ82	Locking device yellow, safety-lock type	2 or 3 pole	-	Snap-in version	4430.2075
TA45-3R, TA45-3RU, TA45-3RA, TA45-3RAU	CBE TA45-AZZ21	Screw-on collar with cover, black	3-pole	-	-	4430.3371
TA45-3R, TA45-3RU, TA45-3RA, TA45-3RAU	CBE TA45-AZZ26	Screw-on collar with cover, yellow	3-pole	-	-	4430.3372
TA45-3P, TA45-3PU, TA45-2PA, TA45-3PA, TA45-2PAU, TA45-3PAU	CBE TA45-AZZ81	Locking device black, safety-lock type	2 or 3 pole	-	Snap-in version	4430.3534

 Most Popular.

Availability for all products can be searched real-time: <https://www.schurter.com/en/Stock-Check/Stock-Check-SCHURTER>

Packaging Unit 1 Pcs