

IEC Appliance Inlet C14 with Line Switch 1- or 2-pole



Inlet with line switch



KPF Filter Module
(not enclosed)



Description

- Panel Mount:
Sandwich/rear-side
- 2 Functions:
Appliance Inlet Protection class I, Line Switch 1- and 2- pole
- For PCB mounting

Approvals

- Approval Reference Type: KP01
- VDE Certificate Number: 40029369
- UL File Number: E96454
- CSA File Number: 38456
- CCC File Number: 2013010204592940

Characteristics

- Panel mount from rear or "sandwich" between top and bottom/side to side panels
PCB mount with snap-in or screw-on feet (self tapping screws Ø 3 x 8 mm)
- All single elements are already wired
- Line switch non-illuminated
- Insulation cover on the rear-side
- Suitable for use in equipment according to IEC/UL 60950

Other versions on request

- Solder terminals
- Quick-connect terminals
- Line switch, illuminated (only 2-pole version)
- Line switch with other rocker marking
- For protection class II

References

Alternative: version with line filter [KPF](#)
We recommend for new applications the new type [DC21](#)

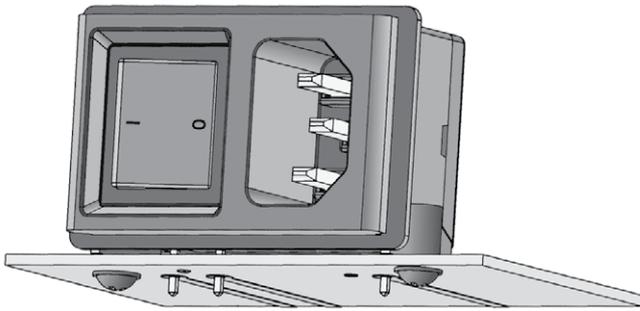
Weblinks

[pdf-datasheet](#), [html-datasheet](#), [General Product Information](#), [Approvals](#), [CE declaration of conformity](#), [RoHS](#), [CHINA-RoHS](#), [REACH](#), [Mating Connectors](#), [e-Shop](#), [SCHURTER-Stock-Check](#), [Distributor-Stock-Check](#), [CAD-Drawings](#), [Accessories](#), [Detailed request for product](#)

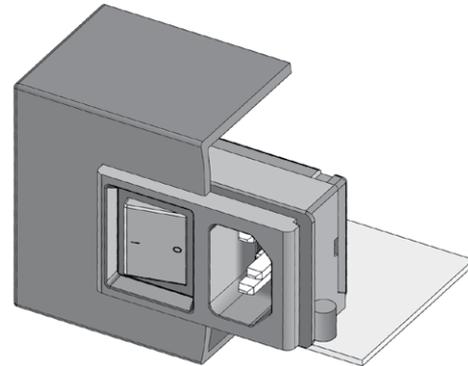
Newly available variants corresponding to V-Lock mating cordset. The connector is equipped with a notch intended for use with the latching cordset. The cord latching system prevents against accidental removal of the cordset.

Technical Data

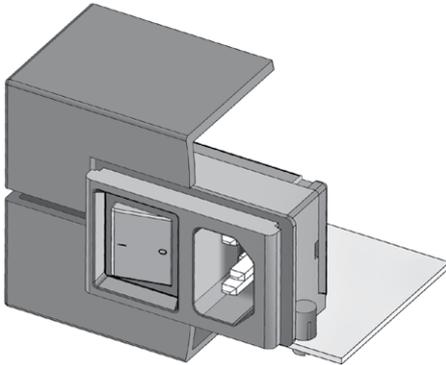
Ratings IEC	10A / 250VAC; 50Hz	Appliance Inlet	C14 acc. to IEC 60320, UL 498, CSA C22.2 no. 42 (for cold conditions) pin-temperature 70 °C, 10A, Protection Class I
Ratings UL/CSA	15A / 250VAC; 60Hz		
Dielectric Strength	> 2.3kVAC between L-N > 2.8kVAC between L/N-PE (1 min/50Hz)	Line Switch	Rocker switch 1 or 2 pole, non-illuminated, acc. to IEC 61058-1 Technical Details
Allowable Operation Temp.	-25 °C to 70 °C		
Degree of Protection	from front side IP 40 acc. to IEC 60529		
Protection Class	Suitable for appliances with protection class I acc. to IEC 61140		
Terminal	For PCB mounting Quick connect terminals 4.8 x 0.8 mm Solder terminal on request		
Panel Thickness s	Snap-in: 1.5/2/2.5/3 mm		
Material: Housing	Thermoplastic, black, UL 94V-0		



Screw-on mount
uses self-tapping screws

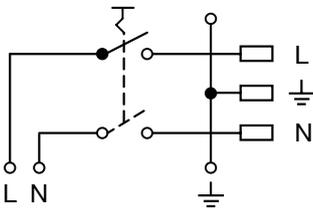


Insertion from behind



"Sandwich" mounting with split
enclosure panels

Diagrams



Inlet with line switch

All Variants

Panel mounting	Panel Thickness s [mm]	PCB [mm]	Line Switch	Fuseholder	Connector	Order Number
Snap-in	2	1.6	1-pole	-	-	KP01.1212.11
Snap-in	2	1.6	2-pole	-	-	KP01.1112.11
Snap-in	3	1.6	1-pole	-	-	KP01.1213.11
Snap-in	3	1.6	2-pole	-	-	KP01.1113.11
Screw	2	1.2/1.6/2.0/2.4	1-pole	-	-	KP01.1252.11
Screw	2	1.2/1.6/2.0/2.4	2-pole	-	-	KP01.1152.11
Screw	3	1.2/1.6/2.0/2.4	1-pole	-	-	KP01.1253.11
Screw	3	1.2/1.6/2.0/2.4	2-pole	-	-	KP01.1153.11

Most Popular.

Availability for all products can be searched real-time: <http://www.schurter.com/en/Stock-Check/Stock-Check-SCHURTER>

Suffix "21" corresponds to the version with V-Lock mating cordset. The connector is equipped with a notch intended for use with the latching cordset. The cord latching system prevents against accidental removal of the cordset.

Type KP without cover: KP01.XXXX.XX90

Ground Terminal with solder pin: KP01.XXXX.X3XX

Packaging unit 50 Pcs

Mating Outlets/Connectors

Category / Description



[Appliance Outlet Overview complete](#)

IEC Appliance Outlet F, Screw-on Mounting, Front Side, Solder Terminal	4787
IEC Appliance Outlet F, Snap-in Mounting, Front Side, Solder or Quick-connect Terminal	4788
IEC Appliance Outlet F or H, Screw-on Mounting, Front Side, Solder, PCB or Quick-connect Terminal	5091

[Appliance Outlet further types to KP \(Switch\)](#)

[Connector Overview complete](#)



IEC Connector C15A, Rewireable, Straight	0102
IEC Connector C15A, Rewireable, Straight	0102-G
IEC Connector C15A, Rewireable, Angled	0112
IEC Connector C13, Rewireable, Angled	4012
IEC Connector C13, Rewireable, Straight	4022

[Connector further types to KP \(Switch\)](#)

Mating Outlets/Connectors shuttered



[Power Cord Overview complete](#)

Overview Power Supply Cord with IEC Connector C13, V-Lock, straight	VAC13KS
---	---------

[Power Cord further types to KP \(Switch\)](#)