

Output filter for 3-phase frequency inverter



Description

- Compact design
- Standard versions include insulated safety screw terminals
- Enhancement of the system efficiency

Standards

- IEC 60939
- UL 1283
- CSA C22.2 no. 8

Approvals

- VDE Certificate Number: 40004669
- UL File Number: 72928

Applications

- Voltage rating 550 VAC for world wide acceptance
- Motors can be fed through long cables
- Reduces the voltage rise rate of inverter output voltage

Weblinks

[pdf-datasheet](#), [html-datasheet](#), [General Product Information](#), [Approvals](#), [CE declaration of conformity](#), [RoHS](#), [CHINA-RoHS](#), [REACH](#), [e-Shop](#), [SCHURTER-Stock-Check](#), [Distributor-Stock-Check](#), [Detailed request for product](#)

Technical Data

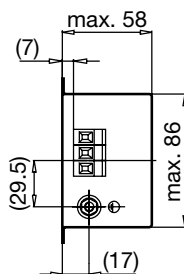
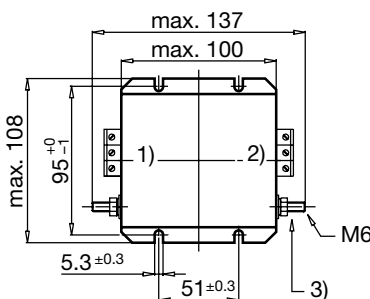
| | |
|-------------------------|--|
| Rated Current | 8 - 32 A @ Ta 40 °C |
| Rated voltage | 550 VAC; 50/60 Hz |
| Approval for | 8 - 32 A @ Ta 40 °C / 550 VAC; 50 Hz |
| Overload Current | 1.5 x Ir |
| Leakage Current | standard < 0.5 mA (440 V / 50 Hz) |
| Dielectric Strength | 550 VAC: 2.25 kVDC between L-L 3 kVDC between L-PE Test voltage (2 sec) |
| Voltage Rise Rate dU/dt | < 500 V/µs |
| Weight | 1.36 - 7 kg |
| Material: Housing | Metal |
| Sealing Compound | UL 94V-0 |

| | |
|----------------------------|---|
| Mounting | Screw-on mounting on chassis, from top |
| Terminal | Screw clamps |
| Operating Temperature [°C] | -25 °C to 100 °C |
| Climatic Category | 25/100/21 acc. to IEC 60068-1 |
| Degree of Protection | IP 20 acc. to IEC 60529 |
| Protection Class | Suitable for appliances with protection class I acc. to IEC 61140 |
| MTBF | > 200'000h acc. to MIL-HB-217 F |

Dimension

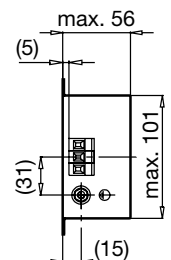
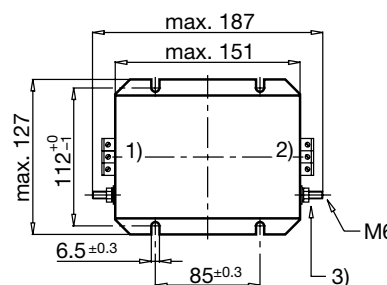
Case 24

I/O connections torque 0.6...0.8 Nm



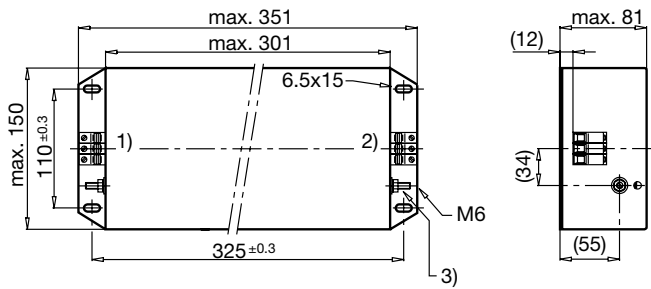
Case 27

I/O connections torque 0.6...0.8 Nm

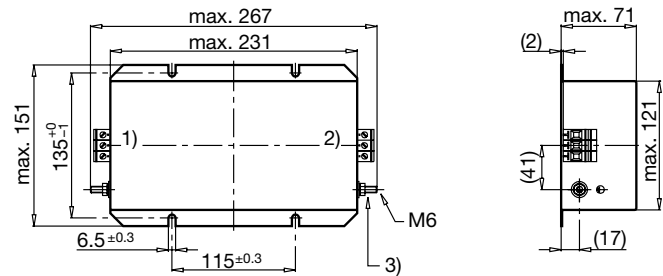


- 1) Inverter
- 2) Motor
- 3) Nut torque 3...4 Nm

Case 38
I/O connections torque 1.5...1.8 Nm

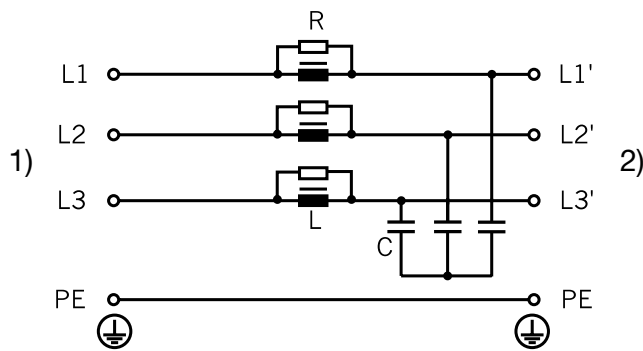


Case 40
I/O connections torque 1.5...1.8 Nm

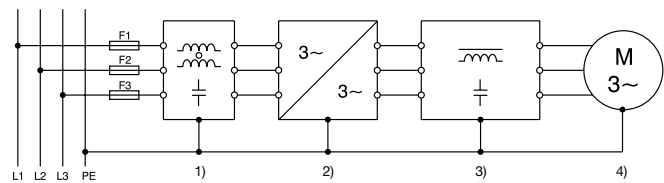


- 1) Inverter
- 2) Motor
- 3) Nut torque 3...4 Nm

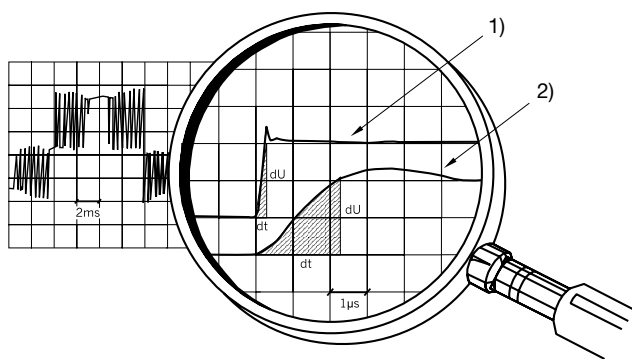
Diagrams



- 1) Inverter
- 2) Motor



- 1) Mains Filter
- 2) Frequency Inverter
- 3) Output Filter
- 4) Motor



- 1) without Output Filter
- 2) with Output Filter

All Variants

| Rated Current [A] | Rated Voltage [VAC] | Contact Resistance [mΩ] | L [mH] | C [nF] | Weight | Clamps [mm ²] | Housing | Order Number |
|-------------------|---------------------|-------------------------|--------|--------|--------|---------------------------|---------|----------------|
| 8 | 550 | 22 | 0.2 | 4.7 | 1.4 kg | 4 | 24 | FMAC-OA24-0813 |
| 16 | 550 | 11.6 | 0.2 | 4.7 | 2.4 kg | 4 | 27 | FMAC-OA27-1613 |
| 25 | 550 | 9.2 | 0.2 | 4.7 | 4.7 kg | 6 | 40 | FMAC-OA40-2513 |
| 32 | 550 | 9.2 | 0.2 | 4.7 | 8.1 kg | 10 | 38 | FMAC-OA38-3213 |

Most Popular.

Availability for all products can be searched real-time:<http://www.schurter.com/en/Stock-Check/Stock-Check-SCHURTER>

8A version: packing unit 2 pcs.

Packaging unit 1 Pcs