

IEC Appliance Inlet C20 with Line Switch, 1- or 2-pole

Snap-In Version or Screw-On Version
illuminated version

C20

 70° C

**Description**

- Panel Mount:
Screw-on version from front or rear side, snap-in version from front side
- 2 Functions:
Appliance Inlet Protection class I, Line Switch 2-pole
- Quick connect terminals 6.3 x 0.8 mm

Approvals

- VDE Certificate Number: 40001031
- UL File Number: E96454

Characteristics

- All single elements are already wired
Unwired versions available on request
- Line switch non-illuminated or illuminated
- Ideal for application with high transient loads
- Suitable for use in equipment according to IEC 60950

Other versions on request

- Unwired versions
- Line switch with other rocker marking
- For protection class II
- Variant with notch for V-Lock mating Cordsets

References

Alternative: version with line filter [EC12](#)

Weblinks

[pdf-datasheet](#), [html-datasheet](#), [General Product Information](#), [Approvals](#), [CE declaration of conformity](#), [RoHS](#), [CHINA-RoHS](#), [Mating Connectors](#), [e-Shop](#), [SCHURTER-Stock-Check](#), [Distributor-Stock-Check](#), [CAD-Drawings](#), [Accessories](#), [Wire Harnessing](#), [Mounting instruction](#), [Detailed request for product](#)

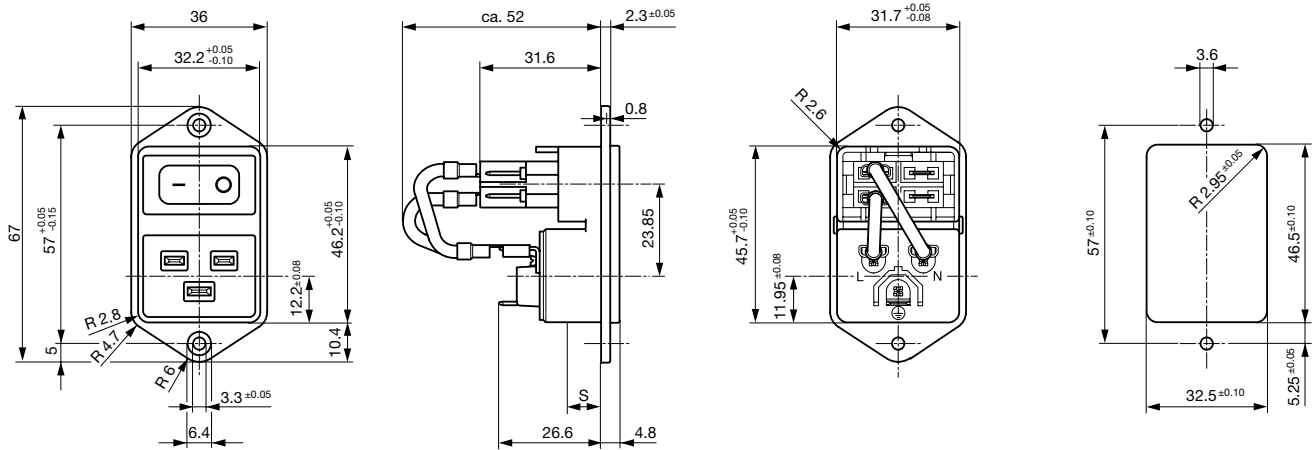
Newly available variants corresponding to V-Lock mating cordset. The connector is equipped with a notch intended for use with the latching cordset. The cord latching system prevents against accidental removal of the cordset.

Technical Data

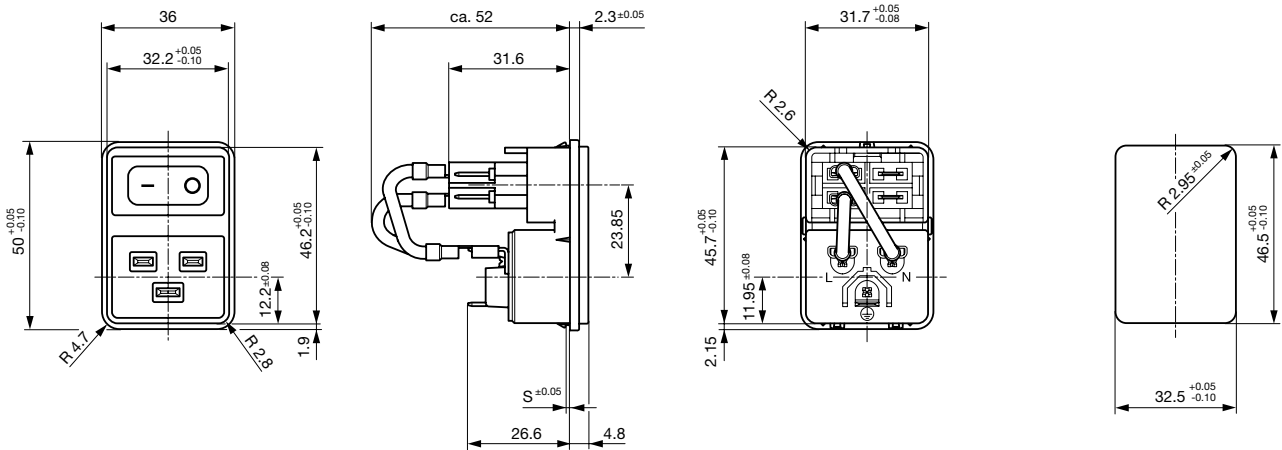
Ratings IEC	16A / 250VAC; 50Hz	Appliance Inlet	C20 acc. to IEC 60320, UL 498, CSA C22.2 no. 42 (for cold conditions) pin-temperature 70 °C, 16A, Protection Class I
Ratings UL/CSA	20A / 250VAC; 60Hz	Line Switch	Rocker switch 2-pole, non-illuminated or illuminated, acc. to IEC 61058-1 Technical Details
Dielectric Strength	> 2.5kVAC between L-N > 3kVAC between L/N-PE (1 min/50Hz)		
Allowable Operation Temp.	-25 °C to 70 °C		
Degree of Protection	from front side IP 40 acc. to IEC 60529		
Protection Class	Suitable for appliances with protection class I acc. to IEC 61140		
Terminal	Quick connect terminals 6.3 x 0.8 mm		
Panel Thickness s	Screw: max 8 mm Mounting screw torque max 0.5 Nm Snap-in: 1.5/2/2.5 mm		
Material: Housing	Thermoplastic, black, UL 94V-0		

Dimensions

Screw on PCB mounting

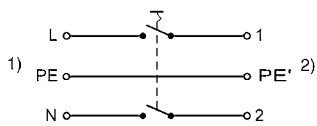


Snap-in mounting



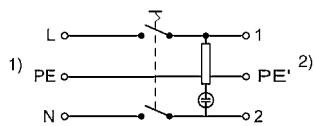
Diagrams

Line switch non-illuminated



1) Line
2) Load

Line switch illuminated



1) Line
2) Load

Variants

with internal connections

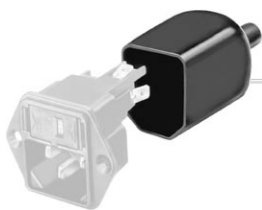
Panel mounting	Panel Thickness s [mm]	Illumination	Color	Internally wired	Order Number
Screw	-	-	-	●	EC11.0001.001.21
Screw	-	-	-	-	EC11.0001.002
Screw	-	●	red	●	EC11.0021.001
Screw	-	●	red	-	EC11.0021.002
Screw	-	●	green	●	EC11.0031.001
Screw	-	●	green	-	EC11.0031.002
Snap-in	1.5	-	-	●	EC11.0001.201
Snap-in	1.5	-	-	-	EC11.0001.202
Snap-in	1.5	●	red	●	EC11.0021.201
Snap-in	1.5	●	red	-	EC11.0021.202
Snap-in	1.5	●	green	●	EC11.0031.201
Snap-in	1.5	●	green	-	EC11.0031.202
Snap-in	2	-	-	●	EC11.0001.301
Snap-in	2	-	-	●	EC11.0001.301.21
Snap-in	2	-	-	-	EC11.0001.302
Snap-in	2	●	red	●	EC11.0021.301
Snap-in	2	●	red	-	EC11.0021.302
Snap-in	2	●	green	●	EC11.0031.301
Snap-in	2	●	green	-	EC11.0031.302
Snap-in	2.5	-	-	●	EC11.0001.401
Snap-in	2.5	-	-	-	EC11.0001.402
Snap-in	2.5	●	red	●	EC11.0021.401
Snap-in	2.5	●	red	-	EC11.0021.402
Snap-in	2.5	●	green	●	EC11.0031.401
Snap-in	2.5	●	green	-	EC11.0031.402

Suffix "21" corresponds to the version with V-Lock mating cordset. The connector is equipped with a notch intended for use with the latching cordset. The cord latching system prevents against accidental removal of the cordset.

Packaging unit 25 Pcs

Accessories

Description



Assorted Covers
Rear Cover



Wire Harness
Wire harness for SCHURTER products



Cord retaining kits
Cord retaining strain relief

Mating Outlets/Connectors

Category / Description

Connector Overview complete



IEC Connector C19, Rewireable, Straight	0104
IEC Connector C19, Rewireable, Straight	0104U
IEC Connector C19, Rewireable, Angled	1651
IEC Connector C19, Rewireable, Straight	1652
IEC Connector C19, Rewireable, Angled	4790
Connector further types to EC11	...

Power Cord Overview complete



Power Cord with IEC Connector C19, Straight	1654
Power Cord further types to EC11	

Power Supply Cord Overview complete



US Power Supply Cord with IEC Connector C13, hospital grade	4300.0920
EU Power Supply Cord with IEC Connector C19, straight/ angled	6004.0395
US Power Supply Cord with IEC Connector C19, straight	6009.5195
Power Supply Cord further types to EC11	

Power Supply or Interconnection Cord Overview complete

Diverse Power Supply and Interconnection Cords 16 A	6003.0395
Power Supply or Interconnection Cord further types to EC11	